



ACCURATE
MANUFACTURED
PRODUCTS
GROUP

Sex Bolts

- *Mating Fasteners*
- *Barrels & Screws*
- *Chicago Screws*
- *Binding Posts*



CAT.Ver.09

Visit us online at ampg.com or email sales@ampg.com

8090 Woodland Drive
Indianapolis, IN 46278

p: 317.472.9000
f: 317.472.9010

“Beautiful Parts, Right Now”



Longevity

AMPG is a privately-owned family business started by current management in 1987. With the second generation in the business, already for many years, we are realizing a future of serving our customers, collaborating with our employees, and contributing to a vibrant domestic manufacturing economy.

Philosophy

We are proud to be an American manufacturer dedicated to solving large problems that affect small numbers of customers. We are committed to our team, our products, and our customers.

Our continuous capital investments in production equipment, employees, automation, and inspection technologies allows us to design thousands of new items a year, get them into large distributor channels and produce on demand small quantities in a few days.

Stock & Custom...**FAST**

As a precision manufacturer of specialized fasteners, architectural hardware, mechanical components and industrial accessories, AMPG stocks over 35,000 products. We also offer custom manufacturing supported by design, product testing and engineering services. To see the latest and most complete catalog of our over 35,000 different items, visit www.ampg.com.

How to Buy Our Products

Visit us [online](#), email us at sales@ampg.com or give us a call at **317.472.9000** and we can help you with your inquiry. Our stock line of parts ships same day from Indianapolis, Indiana.



Page	Description
i	About AMPG
ii - iii	AMPG Materials
A-1 to A-10	Combo Drive
A-11 to A-20	Button Head Socket Drive
A-21 to A-23	82° Flat Head Socket Drive
A-24 to A-27	Low Profile Head Socket Head Drive
A-28 to A-31	6-Lobe with Pin Tamper Resistant
A-32 to A-34	One-Way Tamper Resistant
A-35 to A-39	Door Hardware
A-40 to A-42	Furniture Hardware (Connector Nuts and Bolts)
A-43 to A-54	Binding Posts (Chicago Screws)
A-55 to A-56	Binding Post Extensions
A-57	Permanent Drive Cap Set
A-58	Plastic Binding Posts
A-59 to A-63	Slotted Truss Head Drive Barrels
A-64	Slotted Oval Head Binding Barrels
A-64	Slotted Flat Head Binding Barrels
A-65	Grommet Nuts
A-66	Phillips Truss Head Barrels
A-66	Hex Head Barrels
A-66	T Head Barrels
A-67 to 68	Spanner Drive

About AMPG



We Make Beautiful Parts, Right Now

AMPG (Accurate Manufactured Products Group) is a privately owned family business started by current management in 1987. Our 2nd generation is well experienced and active in the business and dedicated to keeping AMPG a closely held family firm.

We are Proud to be an American Manufacturer

AMPG is a Make to Stock Manufacturer of over 50,000 unique items. New products are our lifeblood, and we have a long term strategic plan in place to introduce thousands of new products each and every year.

Our 147,000 Sq Ft facility in Indianapolis supports low to medium volume manufacturing runs with over 70 late model and brand new CNC Lathes, Mills, and Thread Rolling equipment. AMPG has an aggressive investment program in the latest and most advanced Production, Automation, and Inspection equipment, as well as software and engineering systems to run our business as efficiently as possible.

ISO Certification to 9001:2015 was attained to anchor the culture of continual improvement both on and off the production floor. ISO 17065 Product Certification will be applied for in 2023, and ISO 17025 will be used to certify our in house Lab also in 2023. The latest in measuring, testing, and monitoring equipment is used to insure product quality and fast lead times. Lean principles guide the manufacturing process using robots, vision systems, and machine monitoring to enable continuous unmanned production around the clock.

Family Owned, Family Operated

AMPG began in Plainview, NY in 1987, and moved to Indianapolis, Indiana in 2004 in order to find the skilled machinists that are the foundation of our success. We are especially proud of our employee retention (as of 2022 all of our core team members will have over 15 years with the company), and the families second generation has over 18 years experience. We have a unique training method that allows us to grow our manufacturing capabilities to match our product and sales plan.

Our dedication to our employees is evidenced by their longevity and the numerous safety and healthiest employer awards we have won over the years.

Product Quality, Appearance and Quick Deliveries are Foundational Goals

AMPG makes and stocks hard-to-find fasteners, components, and fittings. We ship same day from our Indianapolis facility. We offer custom manufacturing capabilities including design, product testing, and engineering services. Our Made-to-Order program produces as little as one part within 7 days.

A Simple Philosophy

Provide a great customer experience by having beautiful, precise, and hard to find products ready to ship today.

Introduction to Sex Bolts

About Sex Bolts

A female barrel and a male screw are designed to clamp material between the head of the barrel and the head of the screw, or to bridge the gap between two parts, like going through a hollow door.



Other Names for Sex Bolts

Barrels, Screws, and Posts are known by many names: Mating Fasteners, Architectural Screws, Binding Screws, Binding Bolts, Binding Posts, Chicago Screws, Male & Female Bolts, Post & Screw, Sex Bolts and Threaded Rivets.

Uses For Barrels, Screws, & Posts

- Acrylic fastening
- Air Hoods
- Aquariums
- Automotive aftermarket
- Awnings
- Bathroom Partitions
- Belts
- Bindery – Publishing
- Bleachers
- Boats
- Body Armor
- Bullet Proof Glass – joins the panels
- Buses
- Cabinetry
- Construction
- Display Fixtures
- Doors
- Exhibits
- Fence Systems
- Furniture
- Gates
- Glass Fastening
- Hand Rails
- Helmets
- Hinge Pins
- Hurricane Protection
- HVAC
- Kayaks
- Knives
- Lock Sets
- Lockers
- Museum Exhibits
- Orthopedic Braces
- Panic Bars
- Playground Equipment
- Plexiglass Fastening
- Plumbing
- Power Tool Manufacturing
- Railings for buildings
- Range Hoods
- RV Manufacturing
- Saddlebags on Motorcycles
- Seating
- Sheet Metal Fastening
- Shutters
- Signs
- Spear Guns
- Stage Production and Lighting
- Stadiums
- Store Fixtures
- Taxidermy
- Trains
- Water Fountains
- Windshields

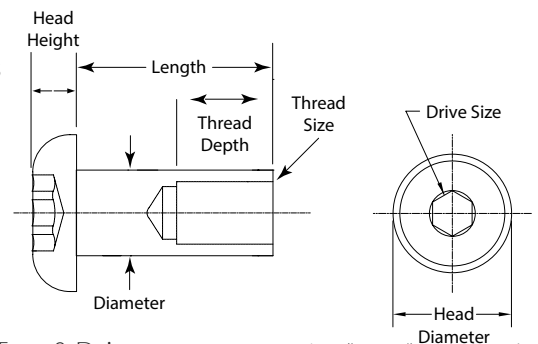
Variations

AMPG has over 30 years experience in manufacturing these mating parts. We can make all sizes and head styles in house. We work in most materials available in bar form. Our specialized machinery and processes allow us to produce small quantity and production quantity runs.

Technical Guide

Sex Bolts have 5 important criteria:

- 1 Barrel Diameter - These bolts often are going through pre-drilled holes, and need to be able to fit. The barrel diameter should be slightly less than the hole diameter.
- 2 Barrel Length - This is the length measured from underneath the head to the end of the barrel. For Flat Heads it is Overall Length (O'all Length).
- 3 Thread Size - What size threads are in the barrel, and how much depth is required.
- 4 Head Type & Drive - Most common is a "truss" style head. Other common drive styles are; none, slotted, socket and combo drive.
- 5 Material & Finish - We manufacture in various materials including Aluminum, Brass, Copper, 18-8 and Type 316 Stainless Steel, available in several plating.



AMPG products can potentially expose you to chemicals including lead, nickel and chromium which are known in the State of California to cause cancer and birth defects or other reproductive harm. For more information, go to www.P65Warnings.ca.gov.

Sex Bolts

About Our Materials

Aluminum

- Aluminum has the strength of mild steel with one third the weight.
- Resists corrosion in wet environments.
- Lightweight material used for fittings, hardware and fasteners.
- Nonmagnetic.

Brass

- Brass is a softer material approximately two-thirds copper and one-third zinc.
- Provides good resistance to rust and atmospheric corrosion.
- Friction-resistant material used for gears, bearings, fasteners and valves.
- Nonmagnetic.

Copper

- Copper is a versatile, durable material that is used for a variety of applications. Color of copper is popular among artists & architects for its decorative finish.
- Material is electrically conductive with excellent thermal properties, nonmagnetic & resists rust in wet environments.

Stainless Steel 18-8 (303)

- Type 303 stainless offers excellent corrosion resistance.
- Resists chemicals, most dyes, food and nitric acid.
- Corrosion-resistant material used for screws, bushings, nuts and hardware.
- May be mildly magnetic.



Stainless Steel 316 (316/316L)

- Type 316 stainless offers superior corrosion resistance than Type 303 stainless.
- Resists salt water, acids, chlorides, alkalis and other industrial solvents.
- Low-maintenance material used in commercial kitchens and food processing.
- May be mildly magnetic.

**AMPG uses dual certified Type 316/316L stainless material. Meets all 316 stainless properties but has lower carbon content, making it more suitable for welding.*

Stainless Steel 416

- Type 416 stainless can be hardened up to Maximum Rockwell C40 after heat treatment.
- Resists acids, alkalis, fresh water and dry air.
- Non-galling and hardenable material used for fittings, gears, shafts and screws.
- Magnetic.

Low Carbon Steel

- Low Carbon steel is used in many general-purpose applications.
- Material requires a finish to resist rust, such as black oxide treatment or zinc plating.
- Low-strength material used for binding posts, bushings, washers, inserts, fittings, screws and nuts.
- Magnetic.

Some guidelines for choosing between the materials we produce are shown below.

Material Type	Specification	Tensile, psi	Yield, psi	Estimated Shear, psi	Elongation	Brinell Hardness	Rockwell Hardness
Aluminum 6061-T6	ASTM B211	45,000	40,000	22,500	17%	BHN 95	B56
Brass 360	ASTM B16	58,000	45,000	29,000	25%	BHN 143	B78
Copper	—	—	—	—	—	—	—
Stainless Steel 18-8 (303)	ASTM A582	90,000	35,000	45,000	50%	BHN 160	B83
Stainless Steel 316 (316/316L)	ASTM A276	75,000	30,000	37,500	45%	BHN 160	B83
Stainless Steel 416	Cond A	75,000	40,000	37,500	30%	BHN 155	B82
	ASTM A582 Cond T	123,000	110,000	61,500	11%	BHN 245	C24
Steel 12L14	ASTM A108	78,000	60,000	39,000	15%	BHN 160	B84

Note: Listed Mechanical Properties are obtained from various suppliers and is intended for comparison of materials, only. Values are based on raw material specifications. AMPG assumes no obligation and liability for the accuracy of this information. For critical applications, product testing may be appropriate.

AMPG 303, AMPG 316, AMPG 661, AMPG 360 are ® Registered Trademarks of AMPG (Accurate Manufactured Products Group) and may not be used or reproduced without our permission.

Combo Drive Barrel and Screws

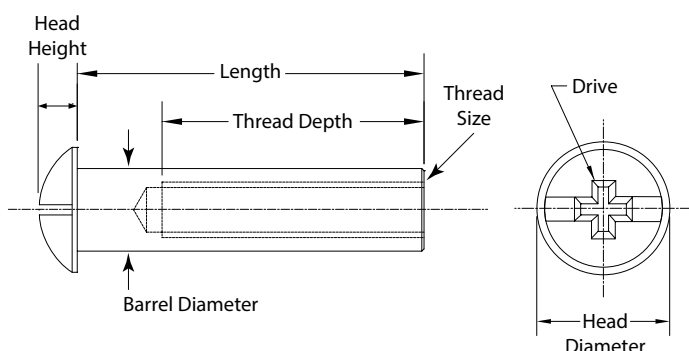
Combo Drive Barrel and Screws are combined to clamp a specific length between the head of the barrel and the head of the mating screw, like through a hollow door. Binding Posts and Screws are often used with round or square metal tube or pipe.

This large selection of Combo Drives has a truss style head which is a wider and lower version of the standard round head and has a versatile combination drive of a combination slot and Phillips. The truss head distributes holding pressure to reduce the likelihood of crushing in thin and softer materials and provides more bearing surface for improved holding power.

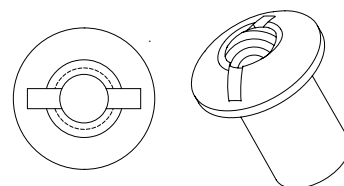
Screws have a class 2A fit.

Materials and finishes offered in:

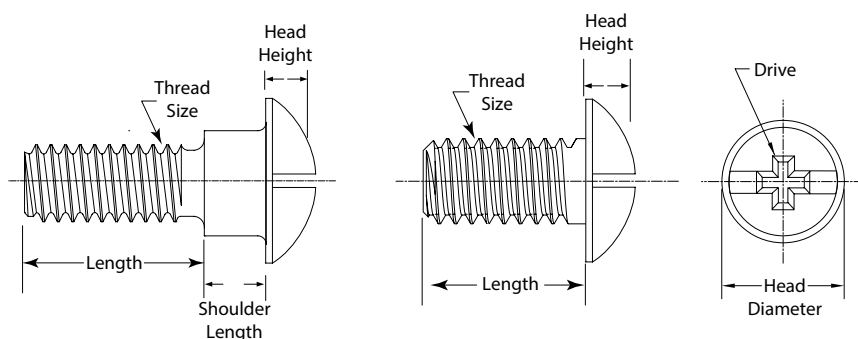
- Steel | Zinc-Plated Finish, Zinc-Black Finish, Black Oxide Finish
- 18-8 Stainless Steel | Passivated
- 316 Stainless Steel | Passivated, Plain Finish, Black Oxide Finish
- 410 Stainless Steel | Thru Hardened



TappeA-Thru Slotted Head Barrel



Shorter lengths, where the tap comes thru the head, are slotted drive only.



Dimensions and Tolerance Table – Inch

Barrel Dia.	Thread Size	Head Dia.	Head Height
3/16	6-32	5/16	5/64
13/64	8-32	3/8	3/32
1/4	10-24	7/16	1/8
5/16	1/4-20	9/16	5/32
3/8	5/16-18	11/16	11/64
1/2	3/8-16	13/16	7/32



Steel, Zinc-Plated



18-8 SS,
Passivated



316 SS,
Passivated, Plain



316 SS, Black Oxide



410 SS

Sex Bolts

For technical drawings and charts, please see page A-1

Steel

Combo Drive Barrels & Screw Sets – Inch Steel | Zinc-Plated Finish



Barrel						Screw			Set	
Barrel Diameter	For Material Thickness (min, max)	Barrel Length	Thread Depth	Head Height	Barrel Part Number	Thread Length	Head Height	Screw Part Number	Thread Size	Steel, Zinc Set Part Number
13/64	1/4 to 3/8	1/4	Thru	3/32	Z4435	5/16	1/8	Z4075	8-32	Z4435PAK*
	3/8 to 1/2	3/8	15/64	3/32	Z4437	5/16	1/8	Z4075	8-32	Z4437PAK
	1/2 to 5/8	1/2	3/8	3/32	Z4438	5/16	1/8	Z4075	8-32	Z4438PAK
	3/4 to 7/8	3/4	3/8	3/32	Z4440	5/16	1/8	Z4075	8-32	Z4440PAK
1/4	1/4 to 3/8	1/4	Thru	1/8	Z4404	5/16	1/8	Z4085	10-24	Z4404PAK*
	3/8 to 1/2	3/8	5/16	1/8	Z4406	5/16	1/8	Z4085	10-24	Z4406PAK
1/4	1/2 to 5/8	1/2	3/8	1/8	Z4408	5/16	1/8	Z4085	10-24	Z4408PAK
	5/8 to 3/4	5/8	3/8	1/8	Z4410	5/16	1/8	Z4085	10-24	Z4410PAK
	3/4 to 7/8	3/4	3/8	1/8	Z4412	5/16	1/8	Z4085	10-24	Z4412PAK
	1 to 1-1/8	1	3/8	1/8	Z4416	5/16	1/8	Z4085	10-24	Z4416PAK
1/4	1-1/4 to 1-3/8	1-1/4	3/8	1/8	Z4420	5/16	1/8	Z4085	10-24	Z4420PAK
	1-1/2 to 1-5/8	1-1/2	3/8	1/8	Z4424	5/16	1/8	Z4085	10-24	Z4424PAK
	2 to 2-1/8	2	3/8	1/8	Z4432	5/16	1/8	Z4085	10-24	Z4432PAK
5/16	3/8 to 1/2	3/8	3/16	5/32	Z4445	5/16	5/32	Z4095	1/4-20	Z4445PAK
5/16	1/2 to 5/8	1/2	3/8	5/32	Z4443	5/16	5/32	Z4095	1/4-20	Z4443PAK
	5/8 to 3/4	1/2	3/8	5/32	Z4443	5/16	5/32	Z4050	1/4-20	Z4447PAK
	3/4 to 7/8	3/4	3/8	5/32	Z4444	5/16	5/32	Z4095	1/4-20	Z4444PAK
	7/8 to 1	3/4	3/8	5/32	Z4444	5/16	5/32	Z4051	1/4-20	Z4449PAK
5/16	1 to 1-1/8	1	3/8	5/32	Z4446	5/16	5/32	Z4095	1/4-20	Z4446PAK
5/16	1-1/4 to 1-3/8	1-1/4	1/2	5/32	Z4448	5/16	5/32	Z4095	1/4-20	Z4448PAK
	1-1/2 to 1-5/8	1-1/2	1/2	5/32	Z4450	5/16	5/32	Z4095	1/4-20	Z4450PAK
3/8	1/2 to 5/8	1/2	3/8	11/64	Z4146	5/16	11/64	Z4096	5/16-18	Z4146PAK

*Tapped Thru Head, Slotted Drive

Combo Drive Barrels & Screw Sets – Inch

18-8 SS | Passivated



Barrel						Screw			Set		
Barrel Diameter	For Material Thickness (min, max)	Barrel Length	Thread Depth	Head Height	Barrel Part Number	Thread Length	Head Height	Screw Part Number	Head Dia.	Thread Size	18-8 SS Set Barrel & Screw Set
3/16	3/8 to 1/2	3/8	19/64	5/64	Z4105SS	5/16	5/64	Z4074SS	5/16	6-32	Z4105SSPAK
	3/8 to 1/2	3/8	19/64	3/32	Z4125SS	5/16	1/8	Z4075SS	3/8	8-32	Z4125SSPAK
13/64	1/2 to 5/8	1/2	3/8	3/32	Z4126SS	5/16	1/8	Z4075SS	3/8	8-32	Z4126SSPAK
	3/4 to 7/8	3/4	3/8	3/32	Z4128SS	5/16	1/8	Z4075SS	3/8	8-32	Z4128SSPAK
1/4	1/4 to 3/8	1/4	Thru	1/8	Z4404SS	5/16	1/8	Z4085SS	7/16	10-24	Z4404SSPAK*
1/4	3/8 to 1/2	3/8	5/16	1/8	Z4406SS	5/16	1/8	Z4085SS	7/16	10-24	Z4406SSPAK
	1/2 to 5/8	1/2	3/8	1/8	Z4408SS	5/16	1/8	Z4085SS	7/16	10-24	Z4408SSPAK
	5/8 to 3/4	5/8	3/8	1/8	Z4410SS	5/16	1/8	Z4085SS	7/16	10-24	Z4410SSPAK
	3/4 to 7/8	3/4	3/8	1/8	Z4412SS	5/16	1/8	Z4085SS	7/16	10-24	Z4412SSPAK
	1 to 1-1/8	1	3/8	1/8	Z4416SS	5/16	1/8	Z4085SS	7/16	10-24	Z4416SSPAK
1/4	1-1/4 to 1-3/8	1-1/4	3/8	1/8	Z4420SS	5/16	1/8	Z4085SS	7/16	10-24	Z4420SSPAK
	1-1/2 to 1-5/8	1-1/2	3/8	1/8	Z4424SS	5/16	1/8	Z4085SS	7/16	10-24	Z4424SSPAK
	2 to 2-1/8	2	3/8	1/8	Z4432SS	5/16	1/8	Z4085SS	7/16	10-24	Z4432SSPAK
5/16	3/8 to 1/2	3/8	19/64	5/32	Z4135SS	5/16	5/32	Z4095SS	9/16	1/4-20	Z4135SSPAK
	1/2 to 5/8	1/2	3/8	5/32	Z4443SS	5/16	5/32	Z4095SS	9/16	1/4-20	Z4443SSPAK
	5/8 to 3/4	5/8	3/8	5/32	Z4137SS	5/16	5/32	Z4095SS	9/16	1/4-20	Z4137SSPAK
	3/4 to 7/8	3/4	3/8	5/32	Z4444SS	5/16	5/32	Z4095SS	9/16	1/4-20	Z4444SSPAK
	7/8 to 1	7/8	3/8	5/32	Z4139SS	5/16	5/32	Z4095SS	9/16	1/4-20	Z4139SSPAK
5/16	1 to 1-1/8	1	3/8	5/32	Z4446SS	5/16	5/32	Z4095SS	9/16	1/4-20	Z4446SSPAK
	1-1/4 to 1-3/8	1-1/4	3/8	5/32	Z4448SS	5/16	5/32	Z4095SS	9/16	1/4-20	Z4448SSPAK
	1-1/2 to 1-5/8	1-1/2	3/8	5/32	Z4449SS	5/16	5/32	Z4095SS	9/16	1/4-20	Z4449SSPAK
3/8	1/2 to 5/8	1/2	3/8	11/64	Z4146SS	5/16	11/64	Z4096SS	11/16	5/16-18	Z4146SSPAK

*Tapped Thru Head, Slotted Drive

Sex Bolts

For technical drawings and charts, please see page A-1

316 SS

Combo Drive Barrels & Screw Sets — Inch

316 SS | Passivated



Barrel					Screw		Set				
Barrel Dia.	For Material Thickness (min, max)	Barrel Length	Thread Depth	Barrel Part Number	Thread Length	Screw Part Number	Head Dia.	Head Height	Thread Size	316 SS Set Part Number	316 SS, Blk Ox. Set Part Number
3/16	3/8 to 1/2	3/8	19/64	Z4105-316SS	5/16	Z4074-316SS	5/16	5/64	6-32	Z4105-316SS-PAK	Z4105-316BLK-PAK
13/64	3/8 to 1/2	3/8	19/64	Z4125-316SS	5/16	Z4075-316SS	3/8	3/32	8-32	Z4125-316SS-PAK	Z4125-316BLK-PAK
	3/4 to 7/8	3/4	3/8	Z4128-316SS	5/16	Z4075-316SS	3/8	3/32	8-32	Z4128-316SS-PAK	Z4128-316BLK-PAK
1/4	1/4 to 3/8	1/4	Thru	Z4404-316SS	5/16	Z4085-316SS	7/16	1/8	10-24	Z4404-316SS-PAK*	Z4404-316BLK-PAK*
	3/8 to 1/2	3/8	5/16	Z4406-316SS	5/16	Z4085-316SS	7/16	1/8	10-24	Z4406-316SS-PAK	Z4406-316BLK-PAK
1/4	1/2 to 5/8	1/2	3/8	Z4408-316SS	5/16	Z4085-316SS	7/16	1/8	10-24	Z4408-316SS-PAK	Z4408-316BLK-PAK
	5/8 to 3/4	5/8	3/8	Z4410-316SS	5/16	Z4085-316SS	7/16	1/8	10-24	Z4410-316SS-PAK	Z4410-316BLK-PAK
	3/4 to 7/8	3/4	3/8	Z4412-316SS	5/16	Z4085-316SS	7/16	1/8	10-24	Z4412-316SS-PAK	Z4412-316BLK-PAK
	1 to 1-1/8	1	3/8	Z4416-316SS	5/16	Z4085-316SS	7/16	1/8	10-24	Z4416-316SS-PAK	Z4416-316BLK-PAK
1/4	1-1/4 to 1-3/8	1-1/4	3/8	Z4420-316SS	5/16	Z4085-316SS	7/16	1/8	10-24	Z4420-316SS-PAK	Z4420-316BLK-PAK
	1-1/2 to 1-5/8	1-1/2	3/8	Z4424-316SS	5/16	Z4085-316SS	7/16	1/8	10-24	Z4424-316SS-PAK	Z4424-316BLK-PAK
	2 to 2-1/8	2	3/8	Z4432-316SS	5/16	Z4085-316SS	7/16	1/8	10-24	Z4432-316SS-PAK	Z4432-316BLK-PAK
5/16	3/8 to 1/2	3/8	19/64	Z4135-316SS	5/16	Z4095-316SS	9/16	5/32	1/4-20	Z4135-316SS-PAK	Z4135-316BLK-PAK
5/16	1/2 to 5/8	1/2	3/8	Z4443-316SS	5/16	Z4095-316SS	9/16	5/32	1/4-20	Z4443-316SS-PAK	Z4443-316BLK-PAK
	5/8 to 3/4	5/8	3/8	Z4137-316SS	5/16	Z4095-316SS	9/16	5/32	1/4-20	Z4137-316SS-PAK	Z4137-316BLK-PAK
	3/4 to 7/8	3/4	3/8	Z4444-316SS	5/16	Z4095-316SS	9/16	5/32	1/4-20	Z4444-316SS-PAK	Z4444-316BLK-PAK
	7/8 to 1	7/8	3/8	Z4139-316SS	5/16	Z4095-316SS	9/16	5/32	1/4-20	Z4139-316SS-PAK	Z4139-316BLK-PAK
5/16	1 to 1-1/8	1	3/8	Z4446-316SS	5/16	Z4095-316SS	9/16	5/32	1/4-20	Z4446-316SS-PAK	Z4446-316BLK-PAK
	1-1/4 to 1-3/8	1-1/4	3/8	Z4448-316SS	5/16	Z4095-316SS	9/16	5/32	1/4-20	Z4448-316SS-PAK	Z4448-316BLK-PAK
	1-1/2 to 1-5/8	1-1/2	3/8	Z4449-316SS	5/16	Z4095-316SS	9/16	5/32	1/4-20	Z4449-316SS-PAK	Z4449-316BLK-PAK
3/8	1/2 to 5/8	1/2	3/8	Z4146-316SS	5/16	Z4096-316SS	11/16	11/64	5/16-18	Z4146-316SS-PAK	Z4146-316BLK-PAK

*Tapped Thru Head, Slotted Drive

Steel

For technical drawings and charts, please see page A-1

Combo Drive Barrels – Inch

Steel | Zinc-Plated, Black Zinc-Plated Finish, Black Oxide



Barrel Dia.	Barrel Length	Thread Size	Thread Depth	Head Dia.	Head Height	Steel, Zinc Part Number	Steel, Blk Zinc Part Number
3/16	3/8	6-32	15/64	5/16	5/64	Z4105	–
	1/2	6-32	3/8	5/16	5/64	Z4106	–
	5/8	6-32	3/8	5/16	5/64	Z4107	–
	3/4	6-32	3/8	5/16	5/64	Z4108	–
3/16	7/8	6-32	3/8	5/16	5/64	Z4109	–
	1	6-32	3/8	5/16	5/64	Z4110	–
13/64	1/4	8-32	Thru*	3/8	3/32	Z4435	–
	3/8	8-32	15/64	3/8	3/32	Z4437	–
	1/2	8-32	3/8	3/8	3/32	Z4438	–
	5/8	8-32	3/8	3/8	3/32	Z4439	–
13/64	3/4	8-32	3/8	3/8	3/32	Z4440	–
	1	8-32	3/8	3/8	3/32	Z4442	–
1/4	1/4	10-24	Thru*	7/16	1/8	Z4404	–
	5/16	10-32	Thru	3/8	1/8	Z4840	–
1/4	3/8	10-24	5/16	7/16	1/8	Z4406	–
	1/2	10-24	3/8	7/16	1/8	Z4408	Z4408-BLACK
	5/8	10-24	3/8	7/16	1/8	Z4410	Z4410-BLACK
	3/4	10-24	3/8	7/16	1/8	Z4412	Z4412-BLACK
1/4	1	10-24	3/8	7/16	1/8	Z4416	Z4416-BLACK
	1	10-24	3/8	7/16	1/8	Z4416-SLOT**	–
	1-1/4	10-24	3/8	7/16	1/8	Z4420	Z4420-BLACK
	1-1/4	10-24	3/8	7/16	1/8	Z4420-SLOT**	–
	1-1/2	10-24	3/8	7/16	1/8	Z4424	Z4424-BLACK
	2	10-24	3/8	7/16	1/8	Z4432	Z4432-BLACK
	5/16	3/8	1/4-20	3/16	9/16	5/32	Z4445
1/2		1/4-20	3/8	9/16	5/32	Z4443	Z4443-BLACK
3/4		1/4-20	3/8	9/16	5/32	Z4444	Z4444-BLACK
1		1/4-20	3/8	9/16	5/32	Z4446	Z4446-BLACK
5/16	1-1/4	1/4-20	1/2	9/16	5/32	Z4448	Z4448-BLACK
	1-1/2	1/4-20	1/2	9/16	5/32	Z4450	Z4450-BLACK
	2	1/4-20	1/2	9/16	5/32	Z4451	–
3/8	3/8	5/16-18	3/8	11/16	11/64	Z4145	–
	1/2	5/16-18	3/8	11/16	11/64	Z4146	–
	3/4	5/16-18	1/2	11/16	11/64	Z4148	–
	1	5/16-18	1/2	11/16	11/64	Z4150	Z4150-BLACK

Combo Drive Barrels



Barrel Dia.	Barrel Length	Thread Size	Thread Depth	Head Dia.	Head Height	Steel, Black Oxide Part Number
1/4	1/4	10-24	Thru*	7/16	1/8	Z4404BX
	3/8	10-24	5/16	7/16	1/8	Z4406-BX

*Tapped Thru Head, Slotted Drive
** Slotted Drive

Sex Bolts

For technical drawings and charts, please see page A-1

Steel
410 SS

Combo Drive Screws — Inch

Steel | Zinc Plated



Combo Drive Shoulder Screws

For Female Barrel Dia	Shoulder Diameter	Shoulder Length	Thread Size	Head Dia.	Head Height	Thread Length	Overall Length	Steel, Zinc Part Number
13/64	13/64	1/4	8-32	3/8	3/32	5/16	9/16	Z4000
1/4	1/4	1/4	10-24	7/16	1/8	5/16	9/16	Z4025
5/16	5/16	1/8	1/4-20	9/16	5/32	5/16	7/16	Z4051
5/16	5/16	1/4	1/4-20	9/16	5/32	5/16	9/16	Z4050



Combo Drive Machine Screws

Screw Size	Head Diameter	Head Height	Steel, Zinc Part Number
6-32 x 5/16	5/16	5/64	Z4074
8-32 x 5/16	3/8	1/8	Z4075
10-24 x 5/16	7/16	1/8	Z4085
1/4-20 x 5/16	9/16	5/32	Z4095
5/16-18 x 5/16	11/16	11/64	Z4096

410 Stainless Steel | Thru Hardened



Combo Drive Machine Screws

Screw Size	Head Diameter	Head Height	410 SS Part Number
10-24 x 5/16	7/16	1/8	Z4085-410H
1/4-20 x 5/16	9/16	5/32	Z4095-410H



Combo Drive Barrels

Barrel Diameter	Barrel Length	Thread Size	Thread Depth	Head Diameter	Head Height	410 SS Part Number
1/4	1/4	10-24	Thru*	7/16	1/8	Z4404-410H
1/4	3/8	10-24	5/16	7/16	1/8	Z4406-410H
	1/2	10-24	3/8	7/16	1/8	Z4408-410H
	5/8	10-24	3/8	7/16	1/8	Z4410-410H
1/4	3/4	10-24	3/8	7/16	1/8	Z4412-410H
	1	10-24	3/8	7/16	1/8	Z4416-410H
	1-1/4	10-24	3/8	7/16	1/8	Z4420-410H
1/4	1-1/2	10-24	3/8	7/16	1/8	Z4424-410H
	2	10-24	3/8	7/16	1/8	Z4432-410H
	3/8	1/4-20	3/8	9/16	5/32	Z4135-410H
5/16	1/2	1/4-20	3/8	9/16	5/32	Z4443-410H
	5/8	1/4-20	3/8	9/16	5/32	Z4137-410H
	3/4	1/4-20	3/8	9/16	5/32	Z4444-410H
5/16	7/8	1/4-20	3/8	9/16	5/32	Z4139-410H
	1	1/4-20	3/8	9/16	5/32	Z4446-410H
	1-1/4	1/4-20	3/8	9/16	5/32	Z4448-410H
	1-1/2	1/4-20	3/8	9/16	5/32	Z4449-410H

*Tapped Thru Head, Slotted Drive

18-8 SS

For technical drawings and charts, please see page A-1

Combo Drive Barrels — Inch

18-8 SS | Passivated Finish, Black Oxide



Barrel Dia.	Barrel Length	Thread Size	Thread Depth	Head Dia.	Head Height	18-8 SS Part Number	18-8 SS, Black Oxide Part Number
3/16	3/8	6-32	19/64	5/16	5/16	Z4105SS	—
	1/2	6-32	3/8	5/16	5/16	Z4106SS	—
	5/8	6-32	3/8	5/16	5/16	Z4107SS	—
3/16	3/4	6-32	3/8	5/16	5/16	Z4108SS	—
	7/8	6-32	3/8	5/16	5/16	Z4109SS	—
	1	6-32	3/8	5/16	5/16	Z4110SS	—
13/64	1/4	8-32	Thru*	3/8	3/32	Z4124SS	—
	3/8	8-32	19/64	3/8	3/32	Z4125SS	Z4125SS-BX
	1/2	8-32	3/8	3/8	3/32	Z4126SS	—
	5/8	8-32	3/8	3/8	3/32	Z4127SS	—
13/64	3/4	8-32	3/8	3/8	3/32	Z4128SS	—
	7/8	8-32	3/8	3/8	3/32	Z4129SS	—
	1	8-32	3/8	3/8	3/32	Z4130SS	—
1/4	1/4	10-24	Thru*	7/16	1/8	Z4404SS	—
	3/8	10-24	5/16	7/16	1/8	Z4406SS	Z4406SS-BK
	1/2	10-24	3/8	7/16	1/8	Z4408SS	Z4408SS-BX
	1/2	10-32	3/8	7/16	1/8	Z4408SS-1032	Z4408SS-1032-BX
1/4	5/8	10-24	3/8	7/16	1/8	Z4410SS	Z4410SS-BX
	3/4	10-24	3/8	7/16	1/8	Z4412SS	Z4412SS-BX
	1	10-24	3/8	7/16	1/8	Z4416SS	Z4416SS-BX
	1-1/4	10-24	3/8	7/16	1/8	Z4420SS	Z4420SS-BX
1/4	1-1/2	10-24	3/8	7/16	1/8	Z4424SS	Z4424SS-BX
	2	10-24	3/8	7/16	1/8	Z4432SS	Z4432SS-BX
5/16	3/8	1/4-20	19/64	9/16	5/32	Z4135SS	—
	1/2	1/4-20	3/8	9/16	5/32	Z4443SS	Z4443SS-BX
	5/8	1/4-20	3/8	9/16	5/32	Z4137SS	—
	3/4	1/4-20	3/8	9/16	5/32	Z4444SS	Z4444SS-BX
5/16	7/8	1/4-20	3/8	9/16	5/32	Z4139SS	—
	1	1/4-20	3/8	9/16	5/32	Z4446SS	Z4446SS-BX
	1-1/4	1/4-20	3/8	9/16	5/32	Z4448SS	—
	1-1/2	1/4-20	3/8	9/16	5/32	Z4449SS	Z4449SS-BX
3/8	3/8	5/16-18	3/8	11/16	11/64	Z4145SS	—
	1/2	5/16-18	3/8	11/16	11/64	Z4146SS	—
	5/8	5/16-18	3/8	11/16	11/64	Z4147SS	—

*Tapped Thru Head, Slotted Drive

Sex Bolts

For technical drawings and charts, please see page A-1

18-8 SS

Combo Drive Barrels — Inch



18-8 SS | Passivated Finish



Barrel Dia.	Barrel Length	Thread Size	Thread Depth	Head Dia.	Head Height	18-8 SS Part Number	18-8 SS, Black Oxide Part Number
3/8	3/4	5/16-18	1/2	11/16	11/64	Z4148SS	—
	7/8	5/16-18	1/2	11/16	11/64	Z4149SS	—
	1	5/16-18	1/2	11/16	11/64	Z4150SS	—
1/2	3/8	3/8-16	5/16	13/16	7/32	Z4165SS	—
	1/2	3/8-16	3/8	13/16	7/32	Z4166SS	—
	5/8	3/8-16	1/2	13/16	7/32	Z4167SS	—
	3/4	3/8-16	1/2	13/16	7/32	Z4168SS	—
1/2	7/8	3/8-16	1/2	13/16	7/32	Z4169SS	—
	1	3/8-16	1/2	13/16	7/32	Z4170SS	—
	1-1/4	3/8-16	1/2	13/16	7/32	Z4171SS	—
	1-1/2	3/8-16	1/2	13/16	7/32	Z4172SS	—
1/2	2	3/8-16	1/2	13/16	7/32	Z4173SS	—



Combo Drive Machine Screws

Screw Size	Head Dia.	Head Height	18-8 SS Part Number
6-32 x 5/16	5/16	5/64	Z4074SS
8-32 x 5/16	3/8	3/32	Z4075SS
10-24 x 5/16	7/16	1/8	Z4085SS
1/4-20 x 5/16	9/16	5/32	Z4095SS
5/16-18 x 5/16	11/16	11/64	Z4096SS
3/8-16 x 5/16	13/16	7/32	Z4097SS



Combo Drive Shoulder Screws

For Female Barrel Dia.	Shoulder Dia.	Shoulder Length	Thread Size	Thread Length	Part Number
13/64	13/64	1/4	8-32	5/16	Z4000SS
1/4	1/4	1/4	10-24	5/16	Z4025SS
5/16	5/16	1/4	1/4-20	5/16	Z4050SS
1/2	1/2	1/4	3/8-16	5/16	Z4060SS

Combo Drive Assortment Kit

18-8 SS
Part Number

Z4402-KIT



- (30) 1/4 Barrel Dia x 1/4" Lg. with 10-24 Screws
- (30) 1/4 Barrel Dia x 3/8" Lg. with 10-24 Screws
- (20) 1/4 Barrel Dia x 1/2" Lg. with 10-24 Screws
- (20) 1/4 Barrel Dia x 3/4" Lg. with 10-24 Screws
- (20) 1/4 Barrel Dia x 1" Lg. with 10-24 Screws
- (10) 1/4 Barrel Dia x 1-1/2" Lg. with 10-24 Screws
- (20) 5/16 Barrel Dia x 3/8" Lg. with 1/4-20 Screws
- (10) 5/16 Barrel Dia x 1/2" Lg. with 1/4-20 Screws
- (10) 3/8 Barrel Dia x 1/2" Lg. with 5/16-18 Screws
- (30) 13/64 Barrel Dia x 1/2" Lg. with 8-32 Screws
- (20) 13/64 Barrel Dia x 3/4" Lg. with 8-32 Screws
- (30) 13/64 Barrel Dia x 3/8" Lg. with 8-32 Screws

316 SS

For technical drawings and charts, please see page A-1

Combo Drive Barrels — Inch



316 SS | Passivated, Plain, Black Oxide Finish



Additional 316 SS Slotted Barrels located on page A-61.

Barrel Dia.	Barrel Length	Thread Size	Thread Depth	Head Diameter	Head Height	Drive	Import/USA	316 SS Part Number	316 SS, Black Ox. Part Number
3/16	3/8	6-32	15/64	5/16	5/64	Combo	Import*	Z4105-316SS	Z4105-316BLK
	1/2	6-32	3/8	5/16	5/64	Combo	Import*	Z4106-316SS	Z4106-316BLK
3/16	5/8	6-32	3/8	5/16	5/64	Combo	Import*	Z4107-316SS	Z4107-316BLK
	3/4	6-32	3/8	5/16	5/64	Combo	Import*	Z4108-316SS	Z4108-316BLK
3/16	7/8	6-32	3/8	5/16	5/64	Combo	Import*	Z4109-316SS	Z4109-316BLK
	1	6-32	3/8	5/16	5/64	Combo	Import*	Z4110-316SS	Z4110-316BLK
13/64	1/4	8-32	Thru	3/8	3/32	Slotted	Import*	Z4124-316SS	Z4124-316BLK
13/64	3/8	8-32	19/64	3/8	3/32	Combo	Import*	Z4125-316SS	Z4125-316BLK
	1/2	8-32	3/8	3/8	3/32	Combo	Import*	Z4126-316SS	Z4126-316BLK
	5/8	8-32	3/8	3/8	3/32	Combo	Import*	Z4127-316SS	Z4127-316BLK
	3/4	8-32	3/8	3/8	3/32	Combo	Import*	Z4128-316SS	Z4128-316BLK
13/64	7/8	8-32	3/8	3/8	3/32	Combo	Import*	Z4129-316SS	Z4129-316BLK
	1	8-32	3/8	3/8	3/32	Combo	Import*	Z4130-316SS	Z4130-316BLK
1/4	1/4	10-24	Thru	7/16	1/8	Slotted	Import*	Z4404-316SS	Z4404-316BLK
1/4	3/8	10-24	5/16	7/16	1/8	Combo	Import*	Z4406-316SS	Z4406-316BLK
	1/2	10-24	3/8	7/16	1/8	Combo	Import*	Z4408-316SS	Z4408-316BLK
	5/8	10-24	3/8	7/16	1/8	Combo	Import*	Z4410-316SS	Z4410-316BLK
	3/4	10-24	3/8	7/16	1/8	Combo	Import*	Z4412-316SS	Z4412-316BLK
1/4	7/8	10-24	3/8	7/16	1/8	Combo	Import*	Z4414-316SS	Z4414-316BLK
	1	10-24	3/8	7/16	1/8	Combo	Import*	Z4416-316SS	Z4416-316BLK
	1-1/4	10-24	3/8	7/16	1/8	Combo	Import*	Z4420-316SS	Z4420-316BLK
	1-1/2	10-24	3/8	7/16	1/8	Combo	Import*	Z4424-316SS	Z4424-316BLK
1/4	2	10-24	3/8	7/16	1/8	Combo	Import*	Z4432-316SS	Z4432-316BLK
	1/4	10-32	Thru	7/16	1/8	Slotted	USA	Z4404F-316SS	Z4404F-316BLK
1/4	3/8	10-32	5/16	7/16	1/8	Slotted	USA	Z4406F-316SS	Z4406F-316BLK
	1/2	10-32	3/8	7/16	1/8	Slotted	USA	Z4408F-316SS	Z4408F-316BLK
	5/8	10-32	3/8	7/16	1/8	Slotted	USA	Z4410F-316SS	Z4410F-316BLK
	3/4	10-32	3/8	7/16	1/8	Slotted	USA	Z4412F-316SS	Z4412F-316BLK
	7/8	10-32	3/8	7/16	1/8	Slotted	USA	Z4414F-316SS	Z4414F-316BLK
	1	10-32	3/8	7/16	1/8	Slotted	USA	Z4416F-316SS	Z4416F-316BLK
1/4	1-1/4	10-32	3/8	7/16	1/8	Slotted	USA	Z4420F-316SS	Z4420F-316BLK
	1-1/2	10-32	3/8	7/16	1/8	Slotted	USA	Z4424F-316SS	Z4424F-316BLK
	2	10-32	3/8	7/16	1/8	Slotted	USA	Z4432F-316SS	Z4432F-316BLK
5/16	3/8	1/4-20	19/64	9/16	5/32	Combo	Import*	Z4135-316SS	Z4135-316BLK
	1/2	1/4-20	3/8	9/16	5/32	Combo	Import*	Z4443-316SS	Z4443-316BLK
	5/8	1/4-20	3/8	9/16	5/32	Combo	Import*	Z4137-316SS	Z4137-316BLK
	3/4	1/4-20	3/8	9/16	5/32	Combo	Import*	Z4444-316SS	Z4444-316BLK
	7/8	1/4-20	3/8	9/16	5/32	Combo	Import*	Z4139-316SS	Z4139-316BLK

*Passivated Finish

Chart continued on next page

Sex Bolts

For technical drawings and charts, please see page A-1

316 SS

Combo Drive Barrels — Inch

316 SS | Passivated, Plain, Black Oxide Finish



Additional 316 SS Slotted Barrels located on page A-61.

Barrel Dia.	Barrel Length	Thread Size	Thread Depth	Head Diameter	Head Height	Drive	Import/ USA	316 SS Part Number	316 SS, Black Ox. Part Number
5/16	1	1/4-20	3/8	9/16	5/32	Combo	Import*	Z4446-316SS	Z4446-316BLK
	1-1/4	1/4-20	3/8	9/16	5/32	Combo	Import*	Z4448-316SS	Z4448-316BLK
	1-1/4	1/4-20	3/8	9/16	5/32	Slotted	USA	Z4448-316SS-SLOT	—
	1-1/2	1/4-20	3/8	9/16	5/32	Combo	Import*	Z4449-316SS	Z4449-316BLK
	2	1/4-20	3/8	9/16	5/32	Combo	Import*	Z4451-316SS	Z4451-316BLK
5/16	3/8	1/4-28	19/64	9/16	5/32	Slotted	USA	Z4135F-316SS	Z4135F-316BLK
	1/2	1/4-28	3/8	9/16	5/32	Slotted	USA	Z4443F-316SS	Z4443F-316BLK
	5/8	1/4-28	3/8	9/16	5/32	Slotted	USA	Z4137F-316SS	Z4137F-316BLK
	3/4	1/4-28	3/8	9/16	5/32	Slotted	USA	Z4444F-316SS	Z4444F-316BLK
5/16	7/8	1/4-28	3/8	9/16	5/32	Slotted	USA	Z4139F-316SS	Z4139F-316BLK
	1	1/4-28	3/8	9/16	5/32	Slotted	USA	Z4446F-316SS	Z4446F-316BLK
	1-1/4	1/4-28	3/8	9/16	5/32	Slotted	USA	Z4448F-316SS	Z4448F-316BLK
	1-1/2	1/4-28	3/8	9/16	5/32	Slotted	USA	Z4449F-316SS	Z4449F-316BLK
	2	1/4-28	3/8	9/16	5/32	Slotted	USA	Z4451F-316SS	Z4451F-316BLK
3/8	3/8	5/16-18	3/8	11/16	11/64	Combo	Import*	Z4145-316SS	Z4145-316BLK
	1/2	5/16-18	3/8	11/16	11/64	Combo	Import*	Z4146-316SS	Z4146-316BLK
	5/8	5/16-18	3/8	11/16	11/64	Combo	Import*	Z4147-316SS	Z4147-316BLK
3/8	3/4	5/16-18	1/2	11/16	11/64	Combo	Import*	Z4148-316SS	Z4148-316BLK
	7/8	5/16-18	1/2	11/16	11/64	Combo	Import*	Z4149-316SS	Z4149-316BLK
	1	5/16-18	1/2	11/16	11/64	Combo	Import*	Z4150-316SS	Z4150-316BLK
3/8	1-1/4	5/16-18	1/2	11/16	11/64	Combo	Import*	Z4151-316SS	Z4151-316BLK
	1-1/2	5/16-18	1/2	11/16	11/64	Combo	Import*	Z4152-316SS	Z4152-316BLK
1/2	2	5/16-18	1/2	11/16	11/64	Combo	Import*	Z4154-316SS	Z4154-316BLK
	3/8	3/8-16	5/16	13/16	7/32	Slotted	USA	Z4165-316SS	Z4165-316BLK
1/2	1/2	3/8-16	3/8	13/16	7/32	Slotted	USA	Z4166-316SS	Z4166-316BLK
	5/8	3/8-16	1/2	13/16	7/32	Slotted	USA	Z4167-316SS	Z4167-316BLK
	3/4	3/8-16	1/2	13/16	7/32	Slotted	USA	Z4168-316SS	Z4168-316BLK
	7/8	3/8-16	1/2	13/16	7/32	Slotted	USA	Z4169-316SS	Z4169-316BLK
	1	3/8-16	1/2	13/16	7/32	Slotted	USA	Z4170-316SS	Z4170-316BLK
1/2	1-1/4	3/8-16	1/2	13/16	7/32	Slotted	USA	Z4171-316SS	Z4171-316BLK
	1-1/2	3/8-16	1/2	13/16	7/32	Slotted	USA	Z4172-316SS	Z4172-316BLK
	2	3/8-16	1/2	13/16	7/32	Slotted	USA	Z4173-316SS	Z4173-316BLK

*Passivated Finish

Combo Drive Machine Screws



Screw Size	Head Diameter	Head Height	316 SS Part Number	316 SS, Black Ox. Part Number
6-32 x 5/16	5/16	5/64	Z4074-316SS	Z4074-316BLK
8-32 x 5/16	3/8	3/32	Z4075-316SS	Z4075-316BLK
10-24 x 5/16	7/16	1/8	Z4085-316SS	Z4085-316BLK
1/4-20 x 5/16	9/16	5/32	Z4095-316SS	Z4095-316BLK
5/16-18 x 5/16	11/16	11/64	Z4096-316SS	Z4096-316BLK



Button Head Socket Drive Posts (Architect Designed)



These Architect designed Hex Drive Binding Barrel and Screw sets provide a contemporary clean look. The combination of an AMPG button head barrel with a button head screw shows off a precise and clean machined finished for the exposed heads. The extra wide heads spread the load across a wider area.

Available in Inch and Metric sizes.

Materials and finishes offered in:

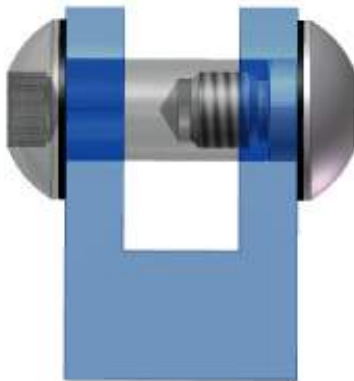
- 18-8 Stainless Steel | Plain Finish, Black Oxide



18-8 SS
Barrel and Screw Set



18-8 SS, Black Oxide
Barrel and Screw Set

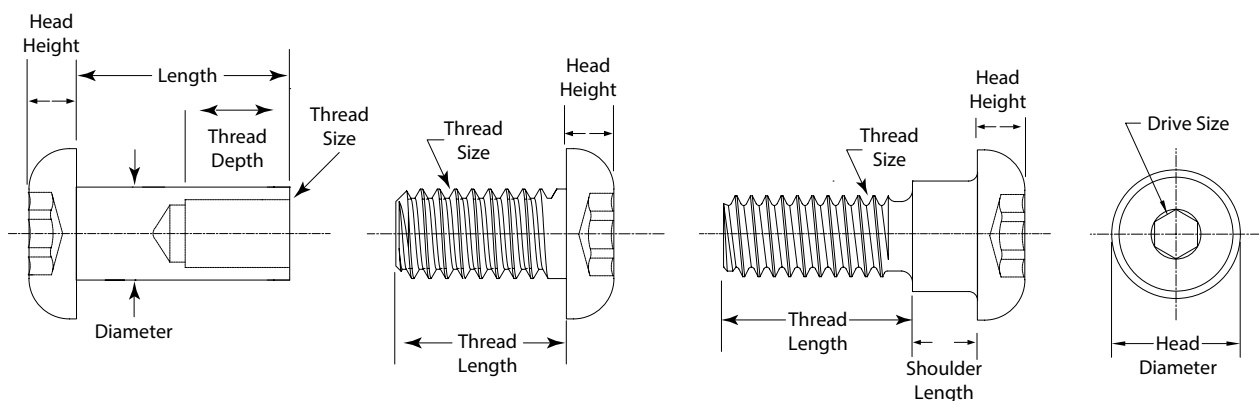


Button Head Dimensions – Inch

Barrel Diameter	Thread Size	Head Dia.	Head Height	Drive Size
1/4	10-24	7/16	1/8	5/32
3/8	1/4-20	21/32	3/16	7/32
1/2	3/8-16	7/8	1/4	5/16
5/8	1/2-13	1	5/16	3/8
3/4	5/8-11	1-1/8	3/8	3/8
7/8	5/8-11	1-1/4	1/2	1/2

Button Head Dimensions – Metric

Barrel Diameter	Thread Size	Head Diameter	Head Height	Drive Size
6mm	M4 x 0.74	10.50	4.00	2.5
10mm	M6 x 1	17.50	5.00	4
12mm	M8 x 1.35	21.00	6.00	5



Sex Bolts

For technical drawings and charts, please see page A-11

18-8 SS

Button Head Socket Drive Barrel and Screw Set – Inch

18-8 Stainless Steel | Plain



Barrel				Screw			Set					
Barrel Dia.	Barrel Length	Thread Depth	Barrel P/N	Thread Length	Shoulder Length	Screw P/N	For Material Thickness (min, max)	Head Dia.	Head Height	Thread Size	Drive Size	18-8 SS Set Part Number
1/4	3/8	3/16	Z1600 *	1/4	–	Z1838	7/16 to 9/16	7/16	1/8	10-24	5/32	ZG25007-B8*
	1/2	3/8	Z1602	1/4	–	Z1838	1/2 to 5/8	7/16	1/8	10-24	5/32	ZG25008-B8
	5/8	3/8	Z1603	1/4	–	Z1838	5/8 to 3/4	7/16	1/8	10-24	5/32	ZG25010-B8
	1/2	3/8	Z1602	1/4	1/4	Z1768	3/4 to 7/8	7/16	1/8	10-24	5/32	ZG25012-B8
1/4	3/4	3/8	Z1604	1/4	1/4	Z1768	1 to 1-1/8	7/16	1/8	10-24	5/32	ZG25016-B8
	1	3/8	Z1606	1/4	1/4	Z1768	1-1/4 to 1-3/8	7/16	1/8	10-24	5/32	ZG25020-B8
	1-1/4	3/8	Z1608	1/4	1/4	Z1768	1-1/2 to 1-5/8	7/16	1/8	10-24	5/32	ZG25024-B8
	1-1/4	3/8	Z1608	1/2	1/4	Z1769	1-7/8 to 2-1/8	7/16	1/8	10-24	5/32	ZG25030-B9
3/8	1/2	3/8	Z1616	3/8	–	Z1840	1/2 to 3/4	21/32	3/16	1/4-20	7/32	ZG37508-B8
	3/4	3/8	Z1618	3/8	–	Z1840	3/4 to 1	21/32	3/16	1/4-20	7/32	ZG37512-B8
	1	3/8	Z1620	3/8	–	Z1840	1 to 1-1/4	21/32	3/16	1/4-20	7/32	ZG37516-B8
	1	3/8	Z1620	1/2	1/4	Z1624	1-3/8 to 1-5/8	21/32	3/16	1/4-20	7/32	ZG37520-B8
3/8	1	3/8	Z1620	1/2	1/2	Z1770	1-5/8 to 1-7/8	21/32	3/16	1/4-20	7/32	ZG37524-B8
1/2	1/2	3/8	Z1630	1/2	–	Z1842	5/8 to 7/8	7/8	1/4	3/8-16	5/16	ZG50008-B8
	5/8	3/8	Z1631	1/2	–	Z1842	3/4 to 1	7/8	1/4	3/8-16	5/16	ZG50010-B8
	3/4	3/8	Z1632	1/2	–	Z1842	7/8 to 1-1/8	7/8	1/4	3/8-16	5/16	ZG50012-B8
	1	3/8	Z1634	1/2	–	Z1842	1-1/8 to 1-3/8	7/8	1/4	3/8-16	5/16	ZG50016-B8
1/2	1	3/8	Z1634	1/2	1/2	Z1772	1-5/8 to 1-7/8	7/8	1/4	3/8-16	5/16	ZG50024-B8
	1-1/2	3/8	Z1710	1/2	1/2	Z1772	2-1/8 to 2-3/8	7/8	1/4	3/8-16	5/16	ZG50032-B8
	1-3/4	3/8	Z1712	1/2	1/2	Z1772	2-3/8 to 2-5/8	7/8	1/4	3/8-16	5/16	ZG50038-B8
	2	3/8	Z1714	1/2	1/2	Z1772	2-5/8 to 2-7/8	7/8	1/4	3/8-16	5/16	ZG50042-B8
1/2	2-1/2	3/8	Z1716	1/2	1/2	Z1772	3-1/8 to 3-3/8	7/8	1/4	3/8-16	5/16	ZG50050-B8
	3	3/8	Z1718	1/2	1/2	Z1772	3-5/8 to 3-7/8	7/8	1/4	3/8-16	5/16	ZG50058-B8
5/8	1/2	5/16	Z1720	1/2	–	Z1844	11/16 to 15/16	1	5/16	1/2-13	3/8	ZG62511-B8
	3/4	7/16	Z1722	1/2	–	Z1844	13/16 to 1-1/16	1	5/16	1/2-13	3/8	ZG62513-B8
	1/2	5/16	Z1720	1/2	1/2	Z1778	1-3/16 to 1-7/16	1	5/16	1/2-13	3/8	ZG62519-B8
	3/4	7/16	Z1722	1/2	1/2	Z1844	1-5/16 to 1-9/16	1	5/16	1/2-13	3/8	ZG62521-B8
5/8	1	5/8	Z1724	1/2	1/2	Z1778	1-1/2 to 1-3/4	1	5/16	1/2-13	3/8	ZG62524-B8
	1-1/2	5/8	Z1726	1/2	1/2	Z1778	2 to 2-1/4	1	5/16	1/2-13	3/8	ZG62532-B8
	1-3/4	5/8	Z1728	1/2	1/2	Z1778	2-1/4 to 2-1/2	1	5/16	1/2-13	3/8	ZG62536-B8
	2	5/8	Z1800	1/2	1/2	Z1778	2-1/2 to 2-3/4	1	5/16	1/2-13	3/8	ZG62540-B8

*Tapped Thru Head

Button Head Socket Drive Barrel and Screw Set – Inch 18-8 Stainless Steel



Barrel				Screw			Set					
Barrel Dia.	Barrel Length	Thread Depth	Barrel P/N	Thread Length	Shoulder Length	Screw P/N	For Material Thickness (min, max)	Head Dia.	Head Height	Thread Size	Drive Size	18-8 SS Set Part Number
5/8	2-1/2	5/8	Z1802	1/2	1/2	Z1778	3 to 3-1/4	1	5/16	1/2-13	3/8	ZG62548-B8
	3	5/8	Z1804	1/2	1/2	Z1778	3-1/2 to 3-3/4	1	5/16	1/2-13	3/8	ZG62556-B8
	3	5/8	Z1804	1/2	1	Z1780	4 to 4-1/4	1	5/16	1/2-13	3/8	ZG62564-B8
3/4	1/2	5/16	Z1806	1/2	–	Z1846	11/16 to 15/16	1-1/8	3/8	5/8-11	3/8	ZG75011-B8
	3/4	7/16	Z1808	1/2	–	Z1846	13/16 to 1-1/16	1-1/8	3/8	5/8-11	3/8	ZG75013-B8
	1/2	5/16	Z1806	1/2	1/2	Z1784	1-3/16 to 1-7/16	1-1/8	3/8	5/8-11	3/8	ZG75019-B8
	3/4	7/16	Z1808	1/2	1/2	Z1784	1-5/16 to 1-9/16	1-1/8	3/8	5/8-11	3/8	ZG75021-B8
3/4	1	3/4	Z1810	1/2	1/2	Z1784	1-1/2 to 1-3/4	1-1/8	3/8	5/8-11	3/8	ZG75024-B8
	1-1/2	3/4	Z1812	1/2	1/2	Z1784	2 to 2-1/4	1-1/8	3/8	5/8-11	3/8	ZG75032-B8
	1-3/4	3/4	Z1814	1/2	1/2	Z1784	2-1/4 to 2-1/2	1-1/8	3/8	5/8-11	3/8	ZG75036-B8
	2	3/4	Z1816	1/2	1/2	Z1784	2-1/2 to 2-3/4	1-1/8	3/8	5/8-11	3/8	ZG75040-B8
3/4	2-1/2	3/4	Z1818	1/2	1/2	Z1784	3 to 3-1/4	1-1/8	3/8	5/8-11	3/8	ZG75048-B8
	3	3/4	Z1820	1/2	1/2	Z1784	3-1/2 to 3-3/4	1-1/8	3/8	5/8-11	3/8	ZG75056-B8
	3	3/4	Z1820	1/2	1	Z1786	4 to 4-1/4	1-1/8	3/8	5/8-11	3/8	ZG75064-B8
7/8	1/2	1/2	Z1822	1/2	1	Z1848	11/16 to 15/16	1-1/4	3/8	5/8-11	3/8	ZG87511-B8
	3/4	7/16	Z1824	1/2	–	Z1848	13/16 to 1-1/16	1-1/4	3/8	5/8-11	3/8	ZG87513-B8
	1/2	5/16	Z1822	1/2	1/2	Z1790	1-3/16 to 1-7/16	1-1/4	3/8	5/8-11	3/8	ZG87519-B8
	3/4	7/16	Z1824	1/2	1/2	Z1790	1-5/16 to 1-9/16	1-1/4	3/8	5/8-11	3/8	ZG87521-B8
7/8	1	3/4	Z1826	1/2	1/2	Z1790	1-1/2 to 1-3/4	1-1/4	3/8	5/8-11	3/8	ZG87524-B8
	1-1/2	3/4	Z1828	1/2	1/2	Z1790	2 to 2-1/4	1-1/4	3/8	5/8-11	3/8	ZG87532-B8
	1-3/4	3/4	Z1830	1/2	1/2	Z1790	2-1/4 to 2-1/2	1-1/4	3/8	5/8-11	3/8	ZG87536-B8
	2	3/4	Z1832	1/2	1/2	Z1790	2-1/2 to 2-3/4	1-1/4	3/8	5/8-11	3/8	ZG87540-B8
7/8	2-1/2	3/4	Z1834	1/2	1/2	Z1790	3 to 3-1/4	1-1/4	3/8	5/8-11	3/8	ZG87548-B8
	3	3/4	Z1836	1/2	1/2	Z1790	3-1/2 to 3-3/4	1-1/4	3/8	5/8-11	3/8	ZG87556-B8
	3	3/4	Z1836	1/2	1	Z1792	4 to 4-1/4	1-1/4	3/8	5/8-11	3/8	ZG87564-B8

Sex Bolts

For technical drawings and charts, please see page A-11

18-8 SS

Button Head Socket Drive Barrel and Screw Set — Inch

18-8 Stainless Steel | Black Oxide



Barrel				Screw			Set					
Barrel Dia.	Barrel Length	Thread Depth	Barrel P/N	Thread Length	Shoulder Length	Screw P/N	For Material Thickness (min, max)	Head Dia.	Head Height	Thread Size	Drive Size	18-8 SS, Black Oxide Set Part Number
1/4	3/8	3/16	Z1600-BX*	1/4	—	Z1838-BX	7/16 to 9/16	7/16	1/8	10-24	5/32	ZG25007-B8-BX*
	1/2	3/8	Z1602-BX	1/4	—	Z1838-BX	1/2 to 5/8	7/16	1/8	10-24	5/32	ZG25008-B8-BX
	5/8	3/8	Z1603-BX	1/4	—	Z1838-BX	5/8 to 3/4	7/16	1/8	10-24	5/32	ZG25010-B8-BX
	1/2	3/8	Z1602-BX	1/4	1/4	Z1768-BX	3/4 to 7/8	7/16	1/8	10-24	5/32	ZG25012-B8-BX
1/4	3/4	3/8	Z1604-BX	1/4	1/4	Z1768-BX	1 to 1-1/8	7/16	1/8	10-24	5/32	ZG25016-B8-BX
	1	3/8	Z1606-BX	1/4	1/4	Z1768-BX	1-1/4 to 1-3/8	7/16	1/8	10-24	5/32	ZG25020-B8-BX
	1-1/4	3/8	Z1608-BX	1/4	1/4	Z1768-BX	1-1/2 to 1-5/8	7/16	1/8	10-24	5/32	ZG25024-B8-BX
	1-1/4	3/8	Z1608-BX	1/2	1/4	Z1769-BX	1-7/8 to 2-1/8	7/16	1/8	10-24	5/32	ZG25030-B9-BX
3/8	1/2	3/8	Z1616-BX	3/8	—	Z1840-BX	1/2 to 3/4	21/32	3/16	1/4-20	7/32	ZG37508-B8-BX
	3/4	3/8	Z1618-BX	3/8	—	Z1840-BX	3/4 to 1	21/32	3/16	1/4-20	7/32	ZG37512-B8-BX
	1	3/8	Z1620-BX	3/8	—	Z1840-BX	1 to 1-1/4	21/32	3/16	1/4-20	7/32	ZG37516-B8-BX
	1	3/8	Z1620-BX	1/2	1/4	Z1624-BX	1-3/8 to 1-5/8	21/32	3/16	1/4-20	7/32	ZG37520-B8-BX
3/8	1	3/8	Z1620-BX	1/2	1/2	Z1770-BX	1-5/8 to 1-7/8	21/32	3/16	1/4-20	7/32	ZG37524-B8-BX
1/2	1/2	3/8	Z1630-BX	1/2	—	Z1842-BX	5/8 to 7/8	7/8	1/4	3/8-16	5/16	ZG50008-B8-BX
	5/8	3/8	Z1631-BX	1/2	—	Z1842-BX	3/4 to 1	7/8	1/4	3/8-16	5/16	ZG50010-B8-BX
	3/4	3/8	Z1632-BX	1/2	—	Z1842-BX	7/8 to 1-1/8	7/8	1/4	3/8-16	5/16	ZG50012-B8-BX
	1	3/8	Z1634-BX	1/2	—	Z1842-BX	1-1/8 to 1-3/8	7/8	1/4	3/8-16	5/16	ZG50016-B8-BX
1/2	1	3/8	Z1634-BX	1/2	1/2	Z1772-BX	1-5/8 to 1-7/8	7/8	1/4	3/8-16	5/16	ZG50024-B8-BX
	1-1/2	3/8	Z1710-BX	1/2	1/2	Z1772-BX	2-1/8 to 2-3/8	7/8	1/4	3/8-16	5/16	ZG50032-B8-BX
	1-3/4	3/8	Z1712-BX	1/2	1/2	Z1772-BX	2-3/8 to 2-5/8	7/8	1/4	3/8-16	5/16	ZG50038-B8-BX
	2	3/8	Z1714-BX	1/2	1/2	Z1772-BX	2-5/8 to 2-7/8	7/8	1/4	3/8-16	5/16	ZG50042-B8-BX
1/2	2-1/2	3/8	Z1716-BX	1/2	1/2	Z1772-BX	3-1/8 to 3-3/8	7/8	1/4	3/8-16	5/16	ZG50050-B8-BX
	3	3/8	Z1718-BX	1/2	1/2	Z1772-BX	3-5/8 to 3-7/8	7/8	1/4	3/8-16	5/16	ZG50058-B8-BX
5/8	1/2	5/16	Z1720-BX	1/2	—	Z1844-BX	11/16 to 15/16	1	5/16	1/2-13	3/8	ZG62511-B8-BX
	3/4	7/16	Z1722-BX	1/2	—	Z1844-BX	13/16 to 1-1/16	1	5/16	1/2-13	3/8	ZG62513-B8-BX
	1/2	5/16	Z1720-BX	1/2	1/2	Z1778-BX	1-3/16 to 1-7/16	1	5/16	1/2-13	3/8	ZG62519-B8-BX
	3/4	7/16	Z1722-BX	1/2	1/2	Z1844-BX	1-5/16 to 1-9/16	1	5/16	1/2-13	3/8	ZG62521-B8-BX
5/8	1	5/8	Z1724-BX	1/2	1/2	Z1778-BX	1-1/2 to 1-3/4	1	5/16	1/2-13	3/8	ZG62524-B8-BX
	1-1/2	5/8	Z1726-BX	1/2	1/2	Z1778-BX	2 to 2-1/4	1	5/16	1/2-13	3/8	ZG62532-B8-BX
	1-3/4	5/8	Z1728-BX	1/2	1/2	Z1778-BX	2-1/4 to 2-1/2	1	5/16	1/2-13	3/8	ZG62536-B8-BX
	2	5/8	Z1800-BX	1/2	1/2	Z1778-BX	2-1/2 to 2-3/4	1	5/16	1/2-13	3/8	ZG62540-B8-BX

*Tapped Thru Head

Button Head Socket Drive Barrel and Screw Set — Inch

18-8 Stainless Steel | Black Oxide



Barrel				Screw			Set					
Barrel Dia.	Barrel Length	Thread Depth	Barrel P/N	Thread Length	Shoulder Length	Screw P/N	For Material Thickness (min, max)	Head Dia.	Head Height	Thread Size	Drive Size	18-8 SS, Black Oxide Set Part Number
5/8	2-1/2	5/8	Z1802-BX	1/2	1/2	Z1778-BX	3 to 3-1/4	1	5/16	1/2-13	3/8	ZG62548-B8-BX
	3	5/8	Z1804-BX	1/2	1/2	Z1778-BX	3-1/2 to 3-3/4	1	5/16	1/2-13	3/8	ZG62556-B8-BX
	3	5/8	Z1804-BX	1/2	1	Z1780-BX	4 to 4-1/4	1	5/16	1/2-13	3/8	ZG62564-B8-BX
3/4	1/2	5/16	Z1806-BX	1/2	—	Z1846-BX	11/16 to 15/16	1-1/8	3/8	5/8-11	3/8	ZG75011-B8-BX
	3/4	7/16	Z1808-BX	1/2	—	Z1846-BX	13/16 to 1-1/16	1-1/8	3/8	5/8-11	3/8	ZG75013-B8-BX
	1/2	5/16	Z1806-BX	1/2	1/2	Z1784-BX	1-3/16 to 1-7/16	1-1/8	3/8	5/8-11	3/8	ZG75019-B8-BX
	3/4	7/16	Z1808-BX	1/2	1/2	Z1784-BX	1-5/16 to 1-9/16	1-1/8	3/8	5/8-11	3/8	ZG75021-B8-BX
3/4	1	3/4	Z1810-BX	1/2	1/2	Z1784-BX	1-1/2 to 1-3/4	1-1/8	3/8	5/8-11	3/8	ZG75024-B8-BX
	1-1/2	3/4	Z1812-BX	1/2	1/2	Z1784-BX	2 to 2-1/4	1-1/8	3/8	5/8-11	3/8	ZG75032-B8-BX
	1-3/4	3/4	Z1814-BX	1/2	1/2	Z1784-BX	2-1/4 to 2-1/2	1-1/8	3/8	5/8-11	3/8	ZG75036-B8-BX
	2	3/4	Z1816-BX	1/2	1/2	Z1784-BX	2-1/2 to 2-3/4	1-1/8	3/8	5/8-11	3/8	ZG75040-B8-BX
3/4	2-1/2	3/4	Z1818-BX	1/2	1/2	Z1784-BX	3 to 3-1/4	1-1/8	3/8	5/8-11	3/8	ZG75048-B8-BX
	3	3/4	Z1820-BX	1/2	1/2	Z1784-BX	3-1/2 to 3-3/4	1-1/8	3/8	5/8-11	3/8	ZG75056-B8-BX
	3	3/4	Z1820-BX	1/2	1	Z1786-BX	4 to 4-1/4	1-1/8	3/8	5/8-11	3/8	ZG75064-B8-BX
7/8	1/2	1/2	Z1822-BX	1/2	1	Z1848-BX	11/16 to 15/16	1-1/4	3/8	5/8-11	3/8	ZG87511-B8-BX
	3/4	7/16	Z1824-BX	1/2	—	Z1848-BX	13/16 to 1-1/16	1-1/4	3/8	5/8-11	3/8	ZG87513-B8-BX
	1/2	5/16	Z1822-BX	1/2	1/2	Z1790-BX	1-3/16 to 1-7/16	1-1/4	3/8	5/8-11	3/8	ZG87519-B8-BX
	3/4	7/16	Z1824-BX	1/2	1/2	Z1790-BX	1-5/16 to 1-9/16	1-1/4	3/8	5/8-11	3/8	ZG87521-B8-BX
7/8	1	3/4	Z1826-BX	1/2	1/2	Z1790-BX	1-1/2 to 1-3/4	1-1/4	3/8	5/8-11	3/8	ZG87524-B8-BX
	1-1/2	3/4	Z1828-BX	1/2	1/2	Z1790-BX	2 to 2-1/4	1-1/4	3/8	5/8-11	3/8	ZG87532-B8-BX
	1-3/4	3/4	Z1830-BX	1/2	1/2	Z1790-BX	2-1/4 to 2-1/2	1-1/4	3/8	5/8-11	3/8	ZG87536-B8-BX
	2	3/4	Z1832-BX	1/2	1/2	Z1790-BX	2-1/2 to 2-3/4	1-1/4	3/8	5/8-11	3/8	ZG87540-B8-BX
7/8	2-1/2	3/4	Z1834-BX	1/2	1/2	Z1790-BX	3 to 3-1/4	1-1/4	3/8	5/8-11	3/8	ZG87548-B8-BX
	3	3/4	Z1836-BX	1/2	1/2	Z1790-BX	3-1/2 to 3-3/4	1-1/4	3/8	5/8-11	3/8	ZG87556-B8-BX
	3	3/4	Z1836-BX	1/2	1	Z1792-BX	4 to 4-1/4	1-1/4	3/8	5/8-11	3/8	ZG87564-B8-BX

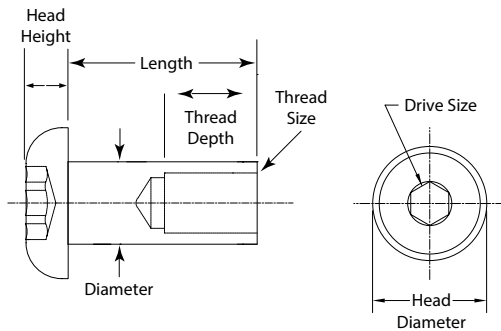
Sex Bolts

For technical drawings and charts, please see page A-11

18-8 SS

Button Head Socket Drive Female Barrels – Inch

18-8 Stainless Steel | Plain



Female Barrel Dimensions – Inch

Barrel Dia.	Thread Size	Head Dia.	Head Height	Drive Size
1/4	10-24	7/16	1/8	5/32
3/8	1/4-20	21/32	3/16	7/32
1/2	3/8-16	7/8	1/4	5/16
5/8	1/2-13	1	5/16	3/8
3/4	5/8-11	1-1/8	3/8	3/8
7/8	5/8-11	1-1/4	3/8	3/8



18-8 SS



18-8 SS, Black Oxide

Barrel Diameter	Length	Thread Depth	18-8 SS Part Number	18-8 SS Black Ox.
1/4	3/8	3/16	Z1600	Z1600-BX
	1/2	3/8	Z1602	Z1602-BX
	5/8	3/8	Z1603	Z1603-BX
	3/4	3/8	Z1604	Z1604-BX
1/4	1	3/8	Z1606	Z1606-BX
	1-1/4	3/8	Z1608	Z1608-BX
3/8	1/2	3/8	Z1616	Z1616-BX
	3/4	3/8	Z1618	Z1618-BX
	1	3/8	Z1620	Z1620-BX
	1-1/16	3/4	Z1621	Z1621-BX
1/2	1/2	3/8	Z1630	Z1630-BX
	5/8	3/8	Z1631	Z1631-BX
	3/4	3/8	Z1632	Z1632-BX
	7/8	3/8	Z1633	Z1633-BX
1/2	1	3/8	Z1634	Z1634-BX
	1-1/2	3/8	Z1710	Z1710-BX
	1-3/4	3/8	Z1712	Z1712-BX
	2	3/8	Z1714	Z1714-BX
	2-1/2	3/8	Z1716	Z1716-BX
1/2	3	3/8	Z1718	Z1718-BX
5/8	1/2	5/16	Z1720	Z1720-BX
	3/4	7/16	Z1722	Z1722-BX

Barrel Diameter	Length	Thread Depth	18-8 SS Part Number	18-8 SS Black Ox.
5/8	1	5/8	Z1724	Z1724-BX
	1-1/2	5/8	Z1726	Z1726-BX
	1-3/4	5/8	Z1728	Z1728-BX
5/8	2	5/8	Z1800	Z1800-BX
	2-1/2	5/8	Z1802	Z1802-BX
5/8	3	5/8	Z1804	Z1804-BX
	1/2	5/16	Z1806	Z1806-BX
3/4	3/4	7/16	Z1808	Z1808-BX
	1	3/4	Z1810	Z1810-BX
	1-1/2	3/4	Z1812	Z1812-BX
	1-3/4	3/4	Z1814	Z1814-BX
3/4	2	3/4	Z1816	Z1816-BX
	2-1/2	3/4	Z1818	Z1818-BX
	3	3/4	Z1820	Z1820-BX
7/8	1/2	5/16	Z1822	Z1822-BX
	3/4	7/16	Z1824	Z1824-BX
	1	3/4	Z1826	Z1826-BX
	1-1/2	3/4	Z1828	Z1828-BX
	1-3/4	3/4	Z1830	Z1830-BX
7/8	2	3/4	Z1832	Z1832-BX
	2-1/2	3/4	Z1834	Z1834-BX
	3	3/4	Z1836	Z1836-BX

Button Head Socket Drive Male Screws — Inch

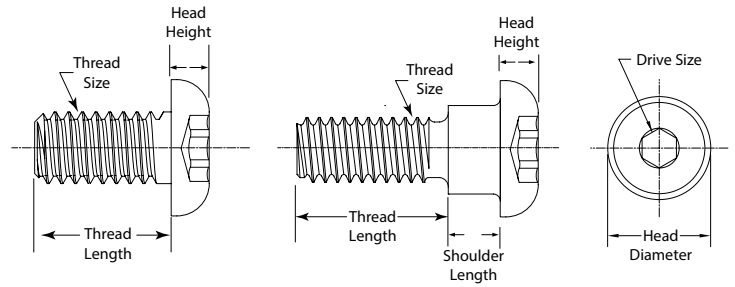
18-8 Stainless Steel | Plain, Black Oxide



18-8 SS



18-8 SS, Black Oxide

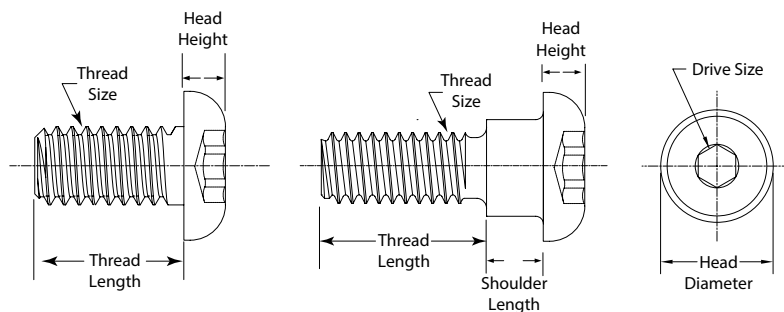


Shoulder Diameter	Length Under Head	Shoulder Length	Thread Length	Thread Size	Head Diameter	Head Height	Drive Size	18-8 SS Part Number	18-8 SS Black Ox. Part Number
1/4	3/8	1/4	1/8	10-24	7/16	1/8	5/32	Z1764	Z1764-BX
	3/16	—	3/16	10-24	7/16	1/8	5/32	Z1835	Z1835-BX
	1/4	—	1/4	10-24	7/16	1/8	5/32	Z1838	Z1838-BX
	7/16	1/4	3/16	10-24	7/16	1/8	5/32	Z1767	Z1767-BX
1/4	1/2	1/4	1/4	10-24	7/16	1/8	5/32	Z1768	Z1768-BX
	11/16	1/2	3/16	10-24	7/16	1/8	5/32	Z1761	Z1761-BX
	1	1/2	1/2	10-24	7/16	1/8	5/32	Z1769	Z1769-BX
3/8	3/8	—	3/8	1/4-20	21/32	3/16	7/32	Z1840	Z1840-BX
	5/8	1/4	3/8	1/4-20	21/32	3/16	7/32	Z1623	Z1623-BX
	3/4	1/4	1/2	1/4-20	21/32	3/16	7/32	Z1624	Z1624-BX
	7/8	1/2	3/8	1/4-20	21/32	3/16	7/32	Z1762	Z1762-BX
3/8	1	1/2	1/2	1/4-20	21/32	3/16	7/32	Z1770	Z1770-BX
1/2	5/16	—	5/16	3/8-16	7/8	1/4	5/16	Z1841	Z1841-BX
	3/8	—	3/8	3/8-16	7/8	1/4	5/16	Z1837	Z1837-BX
	1/2	—	1/2	3/8-16	7/8	1/4	5/16	Z1842	Z1842-BX
	7/8	1/2	3/8	3/8-16	7/8	1/4	5/16	Z1771	Z1771-BX
1/2	1	1/2	1/2	3/8-16	7/8	1/4	5/16	Z1772	Z1772-BX
	1-3/8	1	3/8	3/8-16	7/8	1/4	5/16	Z1773	Z1773-BX
	1-1/2	1	1/2	3/8-16	7/8	1/4	5/16	Z1774	Z1774-BX
	1-7/8	1-1/2	3/8	3/8-16	7/8	1/4	5/16	Z1775	Z1775-BX
	1/2	2	1-1/2	1/2	3/8-16	7/8	1/4	5/16	Z1776
5/8	5/16	—	5/16	1/2-13	1	5/16	3/8	Z1843	—
	1/2	—	1/2	1/2-13	1	5/16	3/8	Z1844	—
	13/16	1/2	5/16	1/2-13	1	5/16	3/8	Z1777	—
	1	1/2	1/2	1/2-13	1	5/16	3/8	Z1778	Z1778-BX
5/8	1-3/16	1-1/2	5/16	1/2-13	1	5/16	3/8	Z1781	—
	1-5/16	1	5/16	1/2-13	1	5/16	3/8	Z1779	—
	1-1/2	1	1/2	1/2-13	1	5/16	3/8	Z1780	Z1780-BX
	2	1-1/2	1/2	1/2-13	1	5/16	3/8	Z1782	—

Chart continued on next page

Button Head Socket Drive Male Screws — Inch

18-8 Stainless Steel | Plain, Black Oxide



18-8 SS



18-8 SS, Black Oxide

Shoulder Diameter	Length Under Head	Shoulder Length	Thread Length	Thread Size	Head Diameter	Head Height	Drive Size	18-8 SS Part Number	18-8 SS Black Ox. Part Number
3/4	5/16	—	5/16	5/8-11	1-1/8	3/8	3/8	Z1845	Z1845-BX
	1/2	—	1/2	5/8-11	1-1/8	3/8	3/8	Z1846	Z1846-BX
	13/16	1/2	5/16	5/8-11	1-1/8	3/8	3/8	Z1783	Z1783-BX
	1	1/2	1/2	5/8-11	1-1/8	3/8	3/8	Z1784	Z1784-BX
3/4	1-5/16	1	5/16	5/8-11	1-1/8	3/8	3/8	Z1785	Z1785-BX
	1-1/2	1	1/2	5/8-11	1-1/8	3/8	3/8	Z1786	Z1786-BX
	1-13/16	1-1/2	5/16	5/8-11	1-1/8	3/8	3/8	Z1787	Z1787-BX
	2	1-1/2	1/2	5/8-11	1-1/8	3/8	3/8	Z1788	Z1788-BX
7/8	5/16	—	5/16	5/8-11	1-1/4	3/8	3/8	Z1847	Z1847-BX
	1/2	—	1/2	5/8-11	1-1/4	3/8	3/8	Z1848	Z1848-BX
	13/16	1/2	5/16	5/8-11	1-1/4	3/8	3/8	Z1789	Z1789-BX
	1	1/2	1/2	5/8-11	1-1/4	3/8	3/8	Z1790	Z1790-BX
7/8	1-5/16	1	5/16	5/8-11	1-1/4	3/8	3/8	Z1791	Z1791-BX
	1-1/2	1	1/2	5/8-11	1-1/4	3/8	3/8	Z1792	Z1792-BX
	1-13/16	1-1/2	5/16	5/8-11	1-1/4	3/8	3/8	Z1793	Z1793-BX
	2	1-1/2	1/2	5/8-11	1-1/4	3/8	3/8	Z1794	Z1794-BX

18-8 SS

Button Head Socket Drive Barrels and Screws — Metric



18-8 SS | Plain, Black Oxide Finish

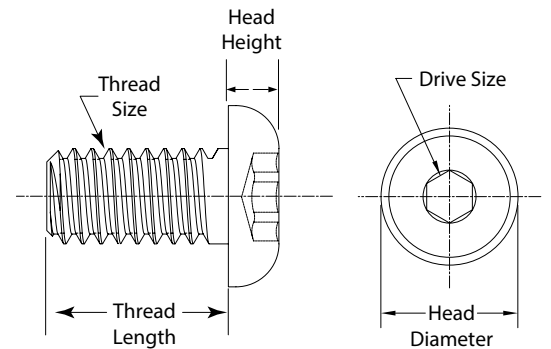
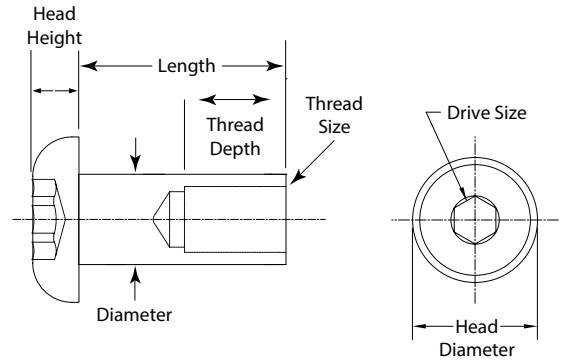


Socket Drive Barrels

Barrel Diameter	Barrel Length	Thread Size	Thread Depth	18-8 SS Part Number	18-8 SS Black Ox. Part Number
6 mm	12.00	M4 x 0.7	7.50	Z1602M	Z1602M-BX
6 mm	16.00	M4 x 0.7	7.50	Z1603M	Z1603M-BX
6 mm	20.00	M4 x 0.7	9.50	Z1604M	Z1604M-BX
6 mm	25.00	M4 x 0.7	9.50	Z1606M	Z1606M-BX
6 mm	30.00	M4 x 0.7	9.50	Z1608M	Z1608M-BX
6 mm	40.00	M4 x 0.7	9.50	Z1610M	Z1610M-BX
10 mm	12.00	M6 x 1	7.50	Z1616M	Z1616M-BX
10 mm	16.00	M6 x 1	9.50	Z1617M	Z1617M-BX
10 mm	20.00	M6 x 1	9.50	Z1618M	Z1618M-BX
10 mm	25.00	M6 x 1	9.50	Z1620M	Z1620M-BX
10 mm	30.00	M6 x 1	9.50	Z1622M	Z1622M-BX
10 mm	40.00	M6 x 1	9.50	Z1624M	Z1624M-BX
12 mm	12.00	M8 x 1.25	11.50	Z1630M	Z1630M-BX
12 mm	16.00	M8 x 1.25	11.50	Z1631M	Z1631M-BX
12 mm	20.00	M8 x 1.25	11.50	Z1632M	Z1632M-BX
12 mm	25.00	M8 x 1.25	11.50	Z1634M	Z1634M-BX
12 mm	40.00	M8 x 1.25	11.50	Z1636M	Z1636M-BX
12 mm	50.00	M8 x 1.25	11.50	Z1638M	Z1638M-BX

Button Head Dimensions — Metric

Barrel Diameter	Thread Size	Head Diameter	Head Height	Drive Size
6mm	M4 x 0.7	10.50	4.00	2.5
10mm	M6 x 1	17.50	5.00	4
12mm	M8 x 1.25	21.00	6.00	5



Socket Drive Screws

Screw Size	Head Dia.	Head Height	18-8 SS Part Number	18-8 SS Black Ox. Part Number
M4 x 6	10.50	4.00	Z1838M	Z1838M-BX
M4 x 8	10.50	4.00	Z1839M	Z1839M-BX
M6 x 8	17.50	5.00	Z1840M	Z1840M-BX
M8 x 10	21.00	6.00	Z1843M	Z1843M-BX

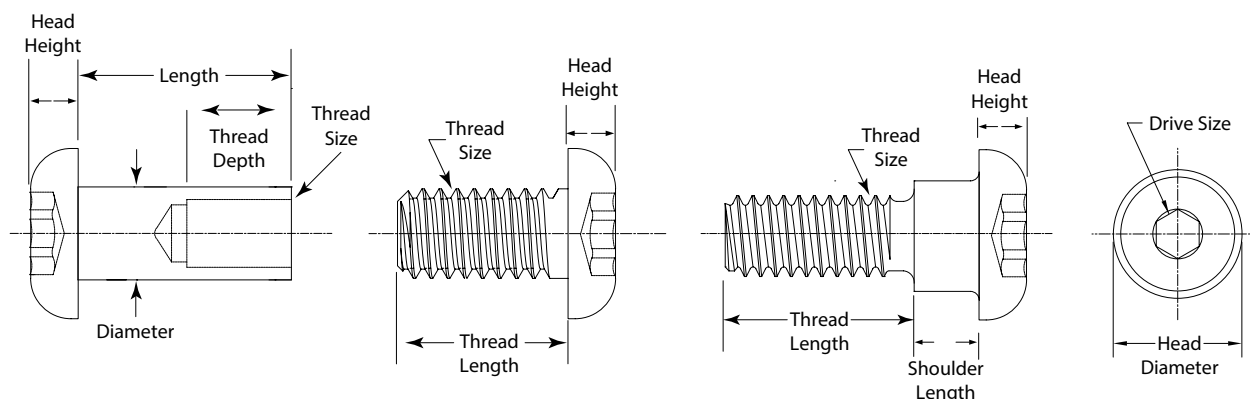
Sex Bolts

For technical drawings and charts, please see page A-19

18-8 SS

Button Head Socket Drive Barrel and Screw Set – Metric

18-8 SS | Plain Finish



Barrel							Screw				Set
For Material Thickness (min, max)	Thread Size	Length	Diameter	Head Diameter	Head Height	Thread Depth	Length	Head Diameter	Head Height	Drive Size	Barrel & Screw Set (1 barrel & 1 screw)
12 to 14mm	M4 x 0.7	12	6.00	10.50	4.00	7.50	6.00	10.50	4.00	2.5	Z1602MPAK
16 to 18mm	M4 x 0.7	16	6.00	10.50	4.00	7.50	6.00	10.50	4.00	2.5	Z1603MPAK
20 to 22mm	M4 x 0.7	20	6.00	10.50	4.00	9.50	8.00	10.50	4.00	2.5	Z1604MPAK
25 to 27mm	M4 x 0.7	25	6.00	10.50	4.00	9.50	8.00	10.50	4.00	2.5	Z1606MPAK
30 to 32mm	M4 x 0.7	30	6.00	10.50	4.00	9.50	8.00	10.50	4.00	2.5	Z1608MPAK
40 to 42mm	M4 x 0.7	40	6.00	10.50	4.00	9.50	8.00	10.50	4.00	2.5	Z1610MPAK
16 to 18mm	M6 x 1	16	10.00	17.50	5.00	9.50	8.00	17.50	5.00	4	Z1617MPAK
20 to 22mm	M6 x 1	20	10.00	17.50	5.00	9.50	8.00	17.50	5.00	4	Z1618MPAK
25 to 27mm	M6 x 1	25	10.00	17.50	5.00	9.50	8.00	17.50	5.00	4	Z1620MPAK
30 to 32mm	M6 x 1	30	10.00	17.50	5.00	9.50	8.00	17.50	5.00	4	Z1622MPAK
40 to 42mm	M6 x 1	40	10.00	17.50	5.00	9.50	8.00	17.50	5.00	4	Z1624MPAK
20 to 23mm	M8 x 1.25	20	12.00	21.00	6.00	11.50	10.00	21.00	6.00	5	Z1632MPAK
25 to 28mm	M8 x 1.25	25	12.00	21.00	6.00	11.50	10.00	21.00	6.00	5	Z1634MPAK
40 to 43mm	M8 x 1.25	40	12.00	21.00	6.00	11.50	10.00	21.00	6.00	5	Z1636MPAK
50 to 53mm	M8 x 1.25	50	12.00	21.00	6.00	11.50	10.00	21.00	6.00	5	Z1638MPAK

18-8 SS

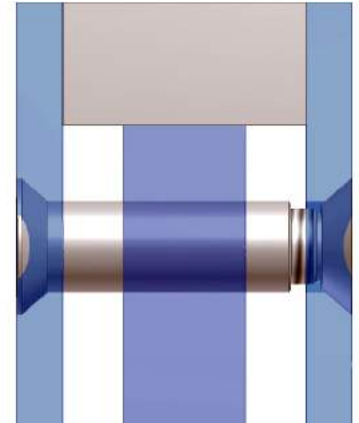
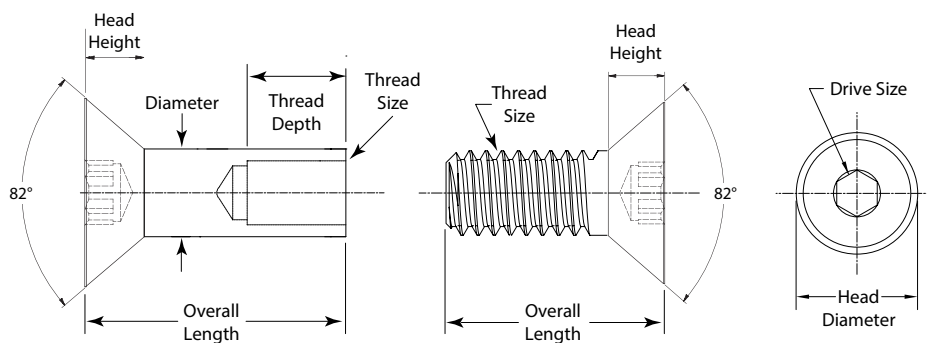
82° Flat Head Socket Drive Posts (Architect Designed)



These Architect designed 82 Degree Flat Head Socket Drive Posts are designed for use with countersunk holes which allows the Post and Screw to sit flush with the surface, without any protrusion or height. The machined heads provide a clean and beautiful appearance. Made in the USA from 303 Stainless Steel bar on our Swiss Lathes they offer an excellent combination of strength, appearance, and corrosion resistance.

Materials and finishes offered in:

- 18-8 Stainless Steel | Plain Finish



82° Flat Head Dimensions – Inch

Barrel Dia.	Thread Size	Head Dia.	Head Height	Drive Size
1/4	10-24	33/64	11/64	5/32
3/8	1/4-20	3/4	15/64	7/32
1/2	3/8-16	7/8	1/4	5/16
5/8	1/2-13	1	1/4	3/8
3/4	5/8-11	1-1/8	1/4	3/8
7/8	5/8-11	1-1/4	1/4	1/2

Sex Bolts

For technical drawings and charts, please see page A-21

18-8 SS

82° Flat Head Socket Drive Sets — Inch



18-8 SS | Plain Finish



82° Flat Head Socket Drive Sets

		Barrel			Screw		Set				
Barrel Diameter	For Material Thickness (min, max)	O'all Length	Thread Depth	Barrel Part Number	O'all Screw Size	Screw Part Number	Thread Size	Head Diameter	Head Height	Drive Size	18-8 SS Set Part Number
1/4	11/16 to 3/4	1/2	5/16	Z1642*	3/8	Z1730	10-24	33/64	11/64	5/32	ZG25008-F8*
	15/16 to 1	3/4	3/8	Z1644	3/8	Z1730	10-24	33/64	11/64	5/32	ZG25012-F8
	1-1/4 to 1-1/2	1	3/8	Z1646	5/8	Z1732	10-24	33/64	11/64	5/32	ZG25016-F8
	1-1/2 to 1-3/4	1-1/4	3/8	Z1648	5/8	Z1732	10-24	33/64	11/64	5/32	ZG25020-F8
1/4	1-1/2 to 2	1-1/4	3/8	Z1648	1	Z1734	10-24	33/64	11/64	5/32	ZG25024-F8
3/8	1 to 1-1/8	1/2	3/16	Z1650*	3/4	Z1736	1/4-20	3/4	15/64	7/32	ZG37508-F8*
	1-1/8 to 1-1/4	3/4	3/8	Z1652	3/4	Z1736	1/4-20	3/4	15/64	7/32	ZG37512-F8
	1-3/8 to 1-1/2	1	3/8	Z1654	3/4	Z1736	1/4-20	3/4	15/64	7/32	ZG37516-F8
1/2	1-1/8 to 1-1/4	3/4	3/8	Z1662	1-1/4	Z1738	3/8-16	7/8	1/4	5/16	ZG50012-F8*
	1-3/8 to 1-1/2	1	3/8	Z1664	1-1/4	Z1738	3/8-16	7/8	1/4	5/16	ZG50016-F8
	1-7/8 to 2	1-1/2	3/8	Z1665	1-1/4	Z1738	3/8-16	7/8	1/4	5/16	ZG50024-F8
	2-3/8 to 2-1/2	2	3/8	Z1669	1-1/4	Z1738	3/8-16	7/8	1/4	5/16	ZG50032-F8
1/2	3-3/8 to 3-1/2	3	3/8	Z1671	1-1/4	Z1738	3/8-16	7/8	1/4	5/16	ZG50048-F8
5/8	1-1/8 to 1-1/4	3/4	3/8	Z1674	3/4	Z1744	1/2-13	1	1/4	3/8	ZG62512-F8
	1-3/8 to 1-1/2	1	5/8	Z1676	3/4	Z1744	1/2-13	1	1/4	3/8	ZG62516-F8
	1-7/8 to 2	1-1/2	3/4	Z1678	3/4	Z1744	1/2-13	1	1/4	3/8	ZG62524-F8
	2-1/8 to 2-1/4	1-3/4	3/4	Z1680	3/4	Z1744	1/2-13	1	1/4	3/8	ZG62528-F8
5/8	2-3/8 to 2-1/2	2	3/4	Z1682	3/4	Z1744	1/2-13	1	1/4	3/8	ZG62532-F8
	2-7/8 to 3	2-1/2	3/4	Z1683	3/4	Z1744	1/2-13	1	1/4	3/8	ZG62540-F8
	3-3/8 to 3-1/2	3	3/4	Z1684	3/4	Z1744	1/2-13	1	1/4	3/8	ZG62548-F8
7/8	1-1/8 to 1-1/4	3/4	7/16	Z1701	3/4	Z1756	5/8-11	1-1/4	1/4	1/2	ZG87512-F8
	1-1/8 to 1-1/4	3/4	3/4	Z1702	3/4	Z1756	5/8-11	1-1/4	1/4	1/2	ZG87516-F8
	1-7/8 to 2	1-1/2	3/4	Z1703	3/4	Z1756	5/8-11	1-1/4	1/4	1/2	ZG87524-F8
	2-1/8 to 2-1/4	1-3/4	3/4	Z1704	3/4	Z1756	5/8-11	1-1/4	1/4	1/2	ZG87528-F8
7/8	2-3/8 to 2-1/2	2	3/4	Z1705	3/4	Z1756	5/8-11	1-1/4	1/4	1/2	ZG87532-F8
	2-7/8 to 3	2-1/2	3/4	Z1706	3/4	Z1756	5/8-11	1-1/4	1/4	1/2	ZG87540-F8
	3-3/8 to 3-1/2	3	3/4	Z1707	3/4	Z1756	5/8-11	1-1/4	1/4	1/2	ZG87548-F8

*Thru Hole Allowed

18-8 SS

For technical drawings and charts, please see page A-21

82° Flat Head Socket Drive Posts — Inch

18-8 SS | Plain Finish



82° Flat Head Dimensions — Inch

Barrel Dia.	Thread Size	Head Dia.	Head Height	Drive Size
1/4	10-24	33/64	11/64	5/32
3/8	1/4-20	3/4	15/64	7/32
1/2	3/8-16	7/8	1/4	5/16
5/8	1/2-13	1	1/4	3/8
3/4	5/8-11	1-1/8	1/4	3/8
7/8	5/8-11	1-1/4	1/4	1/2



Socket Drive Barrels

Barrel Diameter	Overall Length	Thread Size	Thread Depth	Part Number
1/4	3/8	10-24	3/16*	Z1640*
	1/2	10-24	5/16*	Z1642*
	3/4	10-24	3/8	Z1644
	1	10-24	3/8	Z1646
1/4	1-1/4	10-24	3/8	Z1648
3/8	1/2	1/4-20	3/16*	Z1650*
	3/4	1/4-20	3/8	Z1652
	1	1/4-20	3/8	Z1654
1/2	1/2	3/8-16	3/16*	Z1660*
	3/4	3/8-16	3/8	Z1662
	1	3/8-16	1/2	Z1664
	1-1/4	3/8-16	1/2	Z1666
1/2	1-1/2	3/8-16	1/2	Z1665
	1-3/4	3/8-16	1/2	Z1667
	2	3/8-16	1/2	Z1669
	2-1/2	3/8-16	1/2	Z1670
1/2	3	3/8-16	1/2	Z1671
5/8	1/2	1/2-13	1/4	Z1672*
	3/4	1/2-13	3/8	Z1674
	1	1/2-13	5/8	Z1676
	1-1/2	1/2-13	3/4	Z1678
5/8	1-3/4	1/2-13	3/4	Z1680
	2	1/2-13	3/4	Z1682
	2-1/2	1/2-13	3/4	Z1683
	3	1/2-13	3/4	Z1684
3/4	1/2	5/8-11	1/4	Z1686*
	3/4	5/8-11	3/8	Z1688
	1	5/8-11	5/8	Z1690
	1-1/2	5/8-11	3/4	Z1692
3/4	1-3/4	5/8-11	3/4	Z1694
	2	5/8-11	3/4	Z1696
	2-1/2	5/8-11	3/4	Z1698
	3	5/8-11	3/4	Z1699
7/8	1/2	5/8-11	1/4*	Z1700*
	3/4	5/8-11	3/8	Z1701

Barrel Diameter	Overall Length	Thread Size	Thread Depth	Part Number
7/8	1	5/8-11	5/8	Z1702
	1-1/2	5/8-11	3/4	Z1703
7/8	1-3/4	5/8-11	3/4	Z1704
	2	5/8-11	3/4	Z1705
	2-1/2	5/8-11	3/4	Z1706
	3	5/8-11	3/4	Z1707



Socket Drive Screws

Thread Size	Overall Length	Thread Length	Head Dia.	Head Height	Drive Size	Part Number
10-24	3/8	5/32	33/64	11/64	5/32	Z1730
	5/8	25/64	33/64	11/64	5/32	Z1732
	1	49/64	33/64	11/64	5/32	Z1734
1/4-20	27/64	3/16	3/4	15/64	7/32	Z1735
	3/4	7/16	3/4	15/64	7/32	Z1736
3/8-16	7/16	3/16	7/8	1/4	5/16	Z1737
	3/4	3/8	7/8	1/4	5/16	Z1738
	1-1/4	7/8	7/8	1/4	5/16	Z1740
3/8-16	1-3/4	1	7/8	1/4	5/16	Z1742
	1-3/4	1-1/2	7/8	1/4	5/16	Z1743
1/2-13	1/2	1/4	1	1/4	3/8	Z1795
	3/4	3/8	1	1/4	3/8	Z1744
	1-1/4	7/8	1	1/4	3/8	Z1746
	1-3/4	1	1	1/4	3/8	Z1748
5/8-11	1/2	1/4	1-1/8	1/4	3/8	Z1749
	3/4	3/8	1-1/8	1/4	3/8	Z1750
	1-1/4	7/8	1-1/8	1/4	3/8	Z1752
	1-3/4	1	1-1/8	1/4	3/8	Z1754
5/8-11	1/2	1/4	1-1/4	1/4	1/2	Z1755
	3/4	3/8	1-1/4	1/4	1/2	Z1756
	1-1/4	7/8	1-1/4	1/4	1/2	Z1758
	1-3/4	1	1-1/4	1/4	1/2	Z1760

*Thru Hole Allowed

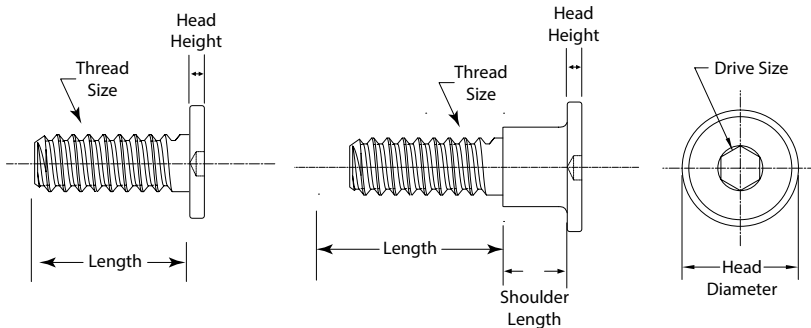
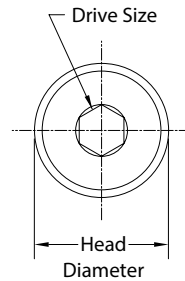
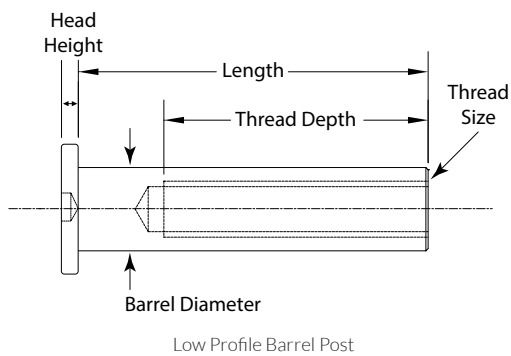
Low Profile Head Socket Drive Posts (Architect Designed)



This line of matched head mating fasteners was developed for an Architect who required specific holding parameters in a low-profile head that would blend into the project design. The heads of these low-profile barrel posts are ideal in applications where material to be fastened is too thin to countersink; not allowing the use of countersunk screws. The large diameter heads of the low-profile barrel posts were engineered to spread the load across a wide surface to provide greater holding power in thinner material applications. When looking for a mating fastener that can be more concealed than button and flat head style fasteners, low-profile head socket drive barrel posts offer a sleek, unobtrusive and polished finish for any design.

Materials and finishes offered in:

- 316 Stainless Steel | Plain Finish



Cummins Indy Distribution Headquarters building in Indianapolis using AMPG's low profile sex bolts in its architecture.

316 SS

For technical drawings and charts, please see page A-24

Low Profile Head Socket Drive Barrels – Inch

316 SS | Plain Finish



Barrel Diameter	Barrel Length	Thread Size	Thread Depth	Head Diameter	Head Height	Drive Size	Part Number
1/4	3/8	10-24	3/16	9/16	3/32	5/32	Z1508
	1/2	10-24	5/16	9/16	3/32	5/32	Z1510
	3/4	10-24	3/8	9/16	3/32	5/32	Z1512
	1	10-24	3/8	9/16	3/32	5/32	Z1514
1/4	1-1/4	10-24	3/8	9/16	3/32	5/32	Z1516
3/8	1/2	1/4-20	Thru	25/32	3/32	7/32	Z1518
	3/4	1/4-20	3/8	25/32	3/32	7/32	Z1520
	1	1/4-20	3/8	25/32	3/32	7/32	Z1522
1/2	1/2	3/8-16	Thru	1	3/32	1/4	Z1524
	3/4	3/8-16	3/8	1	3/32	1/4	Z1526
	1	3/8-16	3/8	1	3/32	1/4	Z1528
	1-1/2	3/8-16	3/8	1	3/32	1/4	Z1530
1/2	1-3/4	3/8-16	3/8	1	3/32	1/4	Z1532
	2	3/8-16	3/8	1	3/32	1/4	Z1534
	2-1/2	3/8-16	3/8	1	3/32	1/4	Z1536
	3	3/8-16	3/8	1	3/32	1/4	Z1538
5/8	3/4	1/2-13	7/16	1-1/8	1/8	3/8	Z1542
5/8	1	1/2-13	5/8	1-1/8	1/8	3/8	Z1544
	1-1/2	1/2-13	5/8	1-1/8	1/8	3/8	Z1546
	1-3/4	1/2-13	5/8	1-1/8	1/8	3/8	Z1548
	2	1/2-13	5/8	1-1/8	1/8	3/8	Z1550
5/8	2-1/2	1/2-13	5/8	1-1/8	1/8	3/8	Z1552
	3	1/2-13	5/8	1-1/8	1/8	3/8	Z1554
3/4	3/4	5/8-11	7/16	1-3/8	1/8	3/8	Z1558
3/4	1	5/8-11	3/4	1-3/8	1/8	3/8	Z1560
	1-1/2	5/8-11	3/4	1-3/8	1/8	3/8	Z1562
	1-3/4	5/8-11	3/4	1-3/8	1/8	3/8	Z1564
	2	5/8-11	3/4	1-3/8	1/8	3/8	Z1566
3/4	2-1/2	5/8-11	3/4	1-3/8	1/8	3/8	Z1568
	3	5/8-11	3/4	1-3/8	1/8	3/8	Z1570
7/8	3/4	5/8-11	7/16	1-1/2	1/8	1/2	Z1574
7/8	1	5/8-11	3/4	1-1/2	1/8	1/2	Z1576
	1-1/2	5/8-11	3/4	1-1/2	1/8	1/2	Z1578
	1-3/4	5/8-11	3/4	1-1/2	1/8	1/2	Z1580
	2	5/8-11	3/4	1-1/2	1/8	1/2	Z1582
7/8	2-1/2	5/8-11	3/4	1-1/2	1/8	1/2	Z1584
	3	5/8-11	3/4	1-1/2	1/8	1/2	Z1586

Sex Bolts

For technical drawings and charts, please see page A-24

316 SS

Low Profile Head Socket Drive Screws – Inch



316 SS | Plain Finish

Shoulder Diameter	Length Under Head	Shoulder Length	Thread Size	Thread Length	Head Diameter	Head Height	Drive Size	Part Number
1/4	3/16	NONE	10-24	3/16	9/16	3/32	5/32	Z1899
	1/4	NONE	10-24	1/4	9/16	3/32	5/32	Z1900
	3/8	NONE	10-24	3/8	9/16	3/32	5/32	Z1901
	1/2	1/4	10-24	1/4	9/16	3/32	5/32	Z1902
1/4	1	1/2	10-24	1/2	9/16	3/32	5/32	Z1904
3/8	3/8	NONE	1/4-20	3/8	25/32	3/32	7/32	Z1906
	5/8	1/4	1/4-20	3/8	25/32	3/32	7/32	Z1907
	3/4	1/4	1/4-20	1/2	25/32	3/32	7/32	Z1908
	7/8	1/2	1/4-20	3/8	25/32	3/32	7/32	Z1909
3/8	1	1/2	1/4-20	1/2	25/32	3/32	7/32	Z1910
1/2	3/8	NONE	3/8-16	3/8	1	3/32	1/4	Z1911
	1/2	NONE	3/8-16	1/2	1	3/32	1/4	Z1912
	7/8	1/2	3/8-16	3/8	1	3/32	1/4	Z1913
	1	1/2	3/8-16	1/2	1	3/32	1/4	Z1914
1/2	1-3/8	1	3/8-16	3/8	1	3/32	1/4	Z1915
	1-1/2	1	3/8-16	1/2	1	3/32	1/4	Z1916
	1-7/8	1-1/2	3/8-16	3/8	1	3/32	1/4	Z1917
	2	1-1/2	3/8-16	1/2	1	3/32	1/4	Z1918
5/8	3/8	NONE	1/2-13	3/8	1-1/8	1/8	3/8	Z1919
	1/2	NONE	1/2-13	1/2	1-1/8	1/8	3/8	Z1920
	7/8	1/2	1/2-13	3/8	1-1/8	1/8	3/8	Z1921
	1	1/2	1/2-13	1/2	1-1/8	1/8	3/8	Z1922
5/8	1-3/8	1	1/2-13	3/8	1-1/8	1/8	3/8	Z1923
	1-1/2	1	1/2-13	1/2	1-1/8	1/8	3/8	Z1924
	1-7/8	1-1/2	1/2-13	3/8	1-1/8	1/8	3/8	Z1925
	2	1-1/2	1/2-13	1/2	1-1/8	1/8	3/8	Z1926
3/4	3/8	NONE	5/8-11	3/8	1-3/8	1/8	3/8	Z1927
	1/2	NONE	5/8-11	1/2	1-3/8	1/8	3/8	Z1928
	7/8	1/2	5/8-11	3/8	1-3/8	1/8	3/8	Z1929
	1	1/2	5/8-11	1/2	1-3/8	1/8	3/8	Z1930
3/4	1-3/8	1	5/8-11	3/8	1-3/8	1/8	3/8	Z1931
	1-1/2	1	5/8-11	1/2	1-3/8	1/8	3/8	Z1932
	1-7/8	1-1/2	5/8-11	3/8	1-3/8	1/8	3/8	Z1933
	2	1-1/2	5/8-11	1/2	1-3/8	1/8	3/8	Z1934
7/8	3/8	NONE	5/8-11	3/8	1-1/2	1/8	3/8	Z1935
	1/2	NONE	5/8-11	1/2	1-1/2	1/8	3/8	Z1936
	7/8	1/2	5/8-11	3/8	1-1/2	1/8	3/8	Z1937
	1	1/2	5/8-11	1/2	1-1/2	1/8	3/8	Z1938
7/8	1-3/8	1	5/8-11	3/8	1-1/2	1/8	3/8	Z1939
	1-1/2	1	5/8-11	1/2	1-1/2	1/8	3/8	Z1940
	1-7/8	1-1/2	5/8-11	3/8	1-1/2	1/8	3/8	Z1941
	2	1-1/2	5/8-11	1/2	1-1/2	1/8	3/8	Z1942

Low Profile Head Socket Drive Sets – Inch

316 SS | Plain Finish



Binding Post Sets

Barrel		Screw		Set							
Barrel Diameter	For Material Thickness (min, max)	Barrel Length	Thread Depth	Barrel Part Number	Screw Thread	Screw Part Number	Thread Size	Head Diameter	Head Height	Drive Size	316 SS Set Part Number
1/4	1/2 to 5/8	1/2	5/16	Z1510*	1/4	Z1900	5/16	9/16	3/32	5/32	ZG25008-LP*
	3/4 to 7/8	1/2	5/16	Z1510*	1/2	Z1902	5/16	9/16	3/32	5/32	ZG25012-LP*
	1 to 1-1/8	3/4	3/8	Z1512	1/2	Z1902	3/8	9/16	3/32	5/32	ZG25016-LP
	1-1/4 to 1-3/8	1	3/8	Z1514	1/2	Z1902	3/8	9/16	3/32	5/32	ZG25020-LP
1/4	1-1/2 to 1-5/8	1-1/4	3/8	Z1516	1/2	Z1902	3/8	9/16	3/32	5/32	ZG25024-LP
3/8	1/2 to 3/4	1/2	3/8	Z1518*	3/8	Z1906	3/8	25/32	3/32	7/32	ZG37508-LP*
	3/4 to 1	3/4	3/8	Z1520	3/8	Z1906	3/8	25/32	3/32	7/32	ZG37512-LP
	1 to 1-1/4	1	3/8	Z1522	3/8	Z1906	3/8	25/32	3/32	7/32	ZG37516-LP
	1-3/8 to 1-5/8	1	3/8	Z1522	3/4	Z1908	3/8	25/32	3/32	7/32	ZG37520-LP
3/8	1-5/8 to 1-7/8	1	3/8	Z1522	1	Z1910	3/8	25/32	3/32	7/32	ZG37524-LP
1/2	5/8 to 7/8	1/2	3/8	Z1524*	1/2	Z1912	3/8	1	3/32	1/4	ZG50008-LP*
	7/8 to 1-1/8	1	3/8	Z1528	1/2	Z1912	3/8	1	3/32	1/4	ZG50012-LP
	1-1/8 to 1-3/8	1-3/4	3/8	Z1532	1/2	Z1912	3/8	1	3/32	1/4	ZG50016-LP
	1-5/8 to 1-7/8	1-3/4	3/8	Z1532	1	Z1914	3/8	1	3/32	1/4	ZG50024-LP
1/2	2-1/8 to 2-3/8	2	3/8	Z1534	1	Z1914	3/8	1	3/32	1/4	ZG50032-LP

*Tapped Thru Head

Sex Bolts

6-Lobe with Pin Tamper Resistant Barrels & Screws

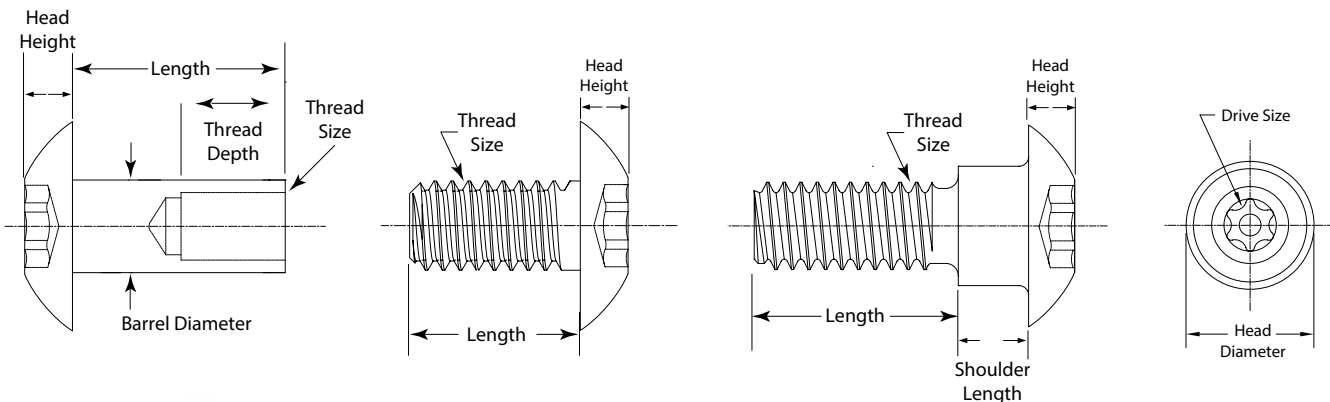


Binding Barrels and Screws are known by many names: Mating Fasteners, Architectural Screws, Binding Screws, Binding Bolts, Binding Posts, Chicago Screws, Male & Female Bolts, Post & Screw, Sex Bolts and Threaded Rivets. A binding barrel and screw are designed to clamp material between the head of the barrel and the head of the screw, or to bridge the gap between two parts, like going through a hollow door.

AMPG has developed a line of tamper-resistant barrels and screws. These mating fasteners consist of a female threaded barrel & a complementary threaded screw. Both the barrel and screw have identical truss heads with 6-Lobe pin-in-head tamper-resistant drives. A truss head distributes holding pressure to reduce the likelihood of crushing thin and softer materials and provides more bearing surface for improved holding power. Barrel lengths are measured from under the head to end of barrel. Male screws are available with or without shoulders. Available in Inch and Metric sizes.

Materials and finishes offered in:

- 18-8 Stainless Steel | Plain Finish



6-Lobe with Pin Dimensions – Inch

Barrel Dia.	Thread Size	Head Dia.	Head Height	Drive Size
1/4	10-24	7/16	1/8	T20
5/16	1/4-20	9/16	5/32	T27
1/2	3/8-16	7/8	1/4	T40
5/8	1/2-13	1	5/16	T45
3/4	5/8-11	1-1/8	3/8	T45
7/8	3/4-10	1-1/4	1/2	T45

6-Lobe with Pin Dimensions – Metric

Barrel Dia.	Thread Size	Head Dia.	Head Height	Drive Size
6.00	M4 x 0.7	10.50	4.00	T20
8.00	M6 x 1	17.50	4.00	T27

6-Lobe with Pin Tamper Resistant Barrels & Screws – Inch

18-8 SS | Passivated (Imported), Plain Finish (USA-made)



6-Lobe with Pin Barrels

Barrel Diameter	Barrel Length	Thread Size	Thread Depth	Drive Size	Part Number
1/4	3/8	10-24	1/4	T20	Z4406T6S*
	1/2	10-24	1/4	T20	Z4408T6S*
	5/8	10-24	1/4	T20	Z4410T6S*
	3/4	10-24	3/8	T20	Z4412T6S*
1/4	1	10-24	3/8	T20	Z4416T6S*
	1-1/4	10-24	3/8	T20	Z4420T6S*
	1-1/2	10-24	3/8	T20	Z4424T6S*
	2	10-24	3/8	T20	Z4432T6S*
5/16	1/2	1/4-20	3/8	T27	Z4443T6S*
	3/4	1/4-20	1/2	T27	Z4444T6S*
	1	1/4-20	1/2	T27	Z4446T6S*
5/16	1-1/4	1/4-20	3/8	T27	Z4448T6S*
	1-1/2	1/4-20	1/2	T27	Z4449T6S*
	1/2	3/8-16	5/16	T40	Z4900T6S
1/2	3/4	3/8-16	7/16	T40	Z4901T6S
	1	3/8-16	5/8	T40	Z4902T6S
	1-1/2	3/8-16	5/8	T40	Z4903T6S
1/2	2	3/8-16	5/8	T40	Z4904T6S
	1/2	1/2-13	5/16	T40	Z4906T6S
	3/4	1/2-13	7/16	T40	Z4907T6S
5/8	1	1/2-13	5/8	T40	Z4908T6S
	1-1/2	1/2-13	5/8	T40	Z4909T6S
	2	1/2-13	5/8	T40	Z4910T6S
3/4	1/2	5/8-11	5/16	T45	Z4912T6S
	3/4	5/8-11	7/16	T45	Z4913T6S
	1	5/8-11	3/4	T45	Z4914T6S
3/4	1-1/2	5/8-11	3/4	T45	Z4915T6S
	2	5/8-11	3/4	T45	Z4916T6S
	1/2	3/4-10	5/16	T45	Z4918T6S
7/8	3/4	3/4-10	7/16	T45	Z4919T6S
	1	3/4-10	3/4	T45	Z4920T6S
	1-1/2	3/4-10	3/4	T45	Z4921T6S
7/8	2	3/4-10	3/4	T45	Z4922T6S

*Imported, Passivated Finish

6-Lobe with Pin Dimensions – Inch

Barrel Dia.	Thread Size	Head Dia.	Head Height	Drive Size
1/4	10-24	7/16	1/8	T20
5/16	1/4-20	9/16	5/32	T27
1/2	3/8-16	7/8	1/4	T40
5/8	1/2-13	1	5/16	T45
3/4	5/8-11	1-1/8	3/8	T45
7/8	3/4-10	1-1/4	1/2	T45



6-Lobe with Pin Screws

Screw Size	Drive Size	Part Number
10-24 x 1/4	T20	Z4580SS*
10-24 x 1/2	T20	Z4582SS*
10-24 x 1	T20	Z4588SS*
1/4-20 x 1/4	T27	Z4591SS*
1/4-20 x 3/8	T27	Z4590SS*
1/4-20 x 1/2	T27	Z4592SS
3/8-16 x 3/4	T40	Z4925SS
3/8-16 x 1-1/2	T40	Z4926SS
1/2-13 x 3/4	T40	Z4928SS
1/2-13 x 1-1/2	T40	Z4929SS
5/8-11 x 3/4	T45	Z4931SS
5/8-11 x 1-1/2	T45	Z4932SS
3/4-10 x 3/4	T45	Z4934SS
3/4-10 x 1-1/2	T45	Z4935SS

Sex Bolts

For technical drawings and charts, please see page A-28

18-8 SS

6-Lobe with Pin Tamper Resistant Barrels & Screws — Inch



18-8 SS | Passivated (Imported), Plain Finish (USA-made)



6-Lobe with Pin Shoulder Screws

Screw Size	Shoulder Length	Shoulder Diameter	Drive Size	Part Number
10-24 x 1/4	1/8	1/4	T20	Z4581SS*
	1/4	1/4	T20	Z4583SS*
10-24 x 3/8	1/4	1/4	T20	Z4584SS*
	1/4	1/4	T20	Z4585SS*
10-24 x 7/8	1/4	1/4	T20	Z4586SS*
1/4-20 x 1/4	1/4	5/16	T27	Z4593SS*
1/4-20 x 3/8	1/8	5/16	T27	Z4597SS*
	1/4	5/16	T27	Z4594SS*
1/4-20 x 5/8	1/4	5/16	T27	Z4595SS*
1/4-20 x 7/8	1/4	5/16	T27	Z4596SS*
3/8-16 x 3/4	1/4	1/2	T40	Z4938SS
3/8-16 x 1-1/2	1/4	1/2	T40	Z4940SS
1/2-13 x 3/4	1/4	5/8	T40	Z4945SS
1/2-13 x 1-1/2	1/4	5/8	T40	Z4947SS
5/8-11 x 3/4	1/4	3/4	T45	Z4950SS
5/8-11 x 1-1/2	1/4	3/4	T45	Z4952SS
3/4-10 x 3/4	1/4	7/8	T45	Z4955SS
3/4-10 x 1-1/2	1/4	7/8	T45	Z4957SS

*Imported, Passivated Finish

6-Lobe with Pin Dimensions — Inch

Barrel Dia.	Thread Size	Head Dia.	Head Height	Drive Size
1/4	10-24	7/16	1/8	T20
5/16	1/4-20	9/16	5/32	T27
1/2	3/8-16	7/8	1/4	T40
5/8	1/2-13	1	5/16	T45
3/4	5/8-11	1-1/8	3/8	T45
7/8	3/4-10	1-1/4	1/2	T45



6-Lobe with Pin Sets

Grip Range	Female Barrel Lg	Barrel P/N	Screw Size	Screw P/N	Set Part Number
3/8 to 1/2	3/8	Z4406T6S	10-24 x 1/4	Z4580SS	Z4406T6S-PAK*
1/2 to 5/8	1/2	Z4408T6S	10-24 x 1/4	Z4580SS	Z4408T6S-PAK*
5/8 to 3/4	5/8	Z4410T6S	10-24 x 1/4	Z4580SS	Z4410T6S-PAK*
3/4 to 7/8	3/4	Z4412T6S	10-24 x 1/4	Z4580SS	Z4412T6S-PAK*
1 to 1-1/8	1	Z4416T6S	10-24 x 1/4	Z4580SS	Z4416T6S-PAK*
1-1/4 to 1-3/8	1-1/4	Z4420T6S	10-24 x 1/4	Z4580SS	Z4420T6S-PAK*
1-1/2 to 1-5/8	1-1/2	Z4424T6S	10-24 x 1/4	Z4580SS	Z4424T6S-PAK*
2 to 2-1/8	2	Z4432T6S	10-24 x 1/4	Z4580SS	Z4432T6S-PAK*
1/2 to 5/8	1/2	Z4443T6S	1/4-20 x 1/4	Z4591SS	Z4443T6S-PAK*
3/4 to 1	3/4	Z4444T6S	1/4-20 x 3/8	Z4590SS	Z4444T6S-PAK*
1 to 1-1/4	1	Z4446T6S	1/4-20 x 3/8	Z4590SS	Z4446T6S-PAK*
5/8 to 3/4	1/2	Z4443T6S	1/4-20 x 3/8	Z4597SS	Z4447T6S-PAK*
1-1/4 to 1-1/2	1-1/4	Z4448T6S	1/4-20 x 3/8	Z4590SS	Z4448T6S-PAK*
7/8 to 1	3/4	Z4444T6S	1/4-20 x 3/8	Z4597SS	Z4449T6S-PAK*
1-1/2 to 1-5/8	1-1/4	Z4448T6S	1/4-20 x 1/4	Z4593SS	Z4450T6S-PAK*

Tamper Resistant Bit & Key — Inch



Steel | Plain Finish

6-Lobe with Pin Key



Drive Size	Part Number
T20	KEYT20
T27	KEYT27
T40	KEYT40
T45	KEYT45

6-Lobe with Pin Bit



Drive Size	Hex Size	Part Number
T20		BITT20
T27		BITT27
T40	1/4	BITT40
T45		BITT45

6-Lobe with Pin Tamper Resistant Barrels & Screws — Metric



18-8 SS | Plain Finish



6-Lobe with Pin Barrels

Barrel Diameter	Barrel Length	Thread Size	Thread Depth	Drive Size	Part Number
6.00	10.00	M4 x 0.7	7.50	T20	Z1300M
6.00	12.00	M4 x 0.7	7.50	T20	Z1302M
6.00	20.00	M4 x 0.7	9.50	T20	Z1306M
6.00	40.00	M4 x 0.7	9.50	T20	Z1312M
8.00	12.00	M6 x 1	7.50	T27	Z1316M
8.00	20.00	M6 x 1	9.50	T27	Z1320M
8.00	30.00	M6 x 1	9.50	T27	Z1324M



6-Lobe with Pin Sets

Grip Range	Female Barrel Lg	Thread Size	Drive Size	Set Part Number
10 to 12mm	10.00	M4 x 0.7	T20	Z1300MPAK
12 to 14mm	12.00	M4 x 0.7	T20	Z1302MPAK
16 to 18mm	12.00	M4 x 0.7	T20	Z1304MPAK
20 to 22mm	20.00	M4 x 0.7	T20	Z1306MPAK
25 to 27mm	20.00	M4 x 0.7	T20	Z1308MPAK
30 to 32mm	20.00	M4 x 0.7	T20	Z1310MPAK
40 to 42mm	40.00	M4 x 0.7	T20	Z1312MPAK
50 to 52mm	40.00	M4 x 0.7	T20	Z1314MPAK
12 to 14mm	12.00	M6 x 1	T27	Z1316MPAK
16 to 18mm	12.00	M6 x 1	T27	Z1318MPAK
20 to 22mm	20.00	M6 x 1	T27	Z1320MPAK
25 to 27mm	20.00	M6 x 1	T27	Z1322MPAK
30 to 32mm	30.00	M6 x 1	T27	Z1324MPAK
40 to 42mm	30.00	M6 x 1	T27	Z1326MPAK

6-Lobe with Pin Dimensions — Metric

Barrel Dia.	Thread Size	Head Dia.	Head Height	Drive Size
6.00	M4 x 0.7	10.50	4.00	T20
8.00	M6 x 1	17.50	4.00	T27

6-Lobe with Pin Screws

Screw Size	Drive Size	Part Number
M4 x 6 x 0.7	T20	Z1560M
M4 x 8 x 0.7	T20	Z1570M
M6 x 6 x 1	T27	Z1580M
M6 x 8 x 1	T27	Z1590M



6-Lobe with Pin Shoulder Screws

Screw Size	Shoulder Length	Shoulder Dia.	Drive Size	Part Number
M4 x 0.7 x 6	4.00	6.00	T20	Z1500M
M4 x 0.7 x 8	5.00	6.00	T20	Z1510M
M4 x 0.7 x 8	10.00	6.00	T20	Z1520M
M6 x 1 x 6	4.00	8.00	T27	Z1530M
M6 x 1 x 8	5.00	8.00	T27	Z1540M
M6 x 1 x 8	10.00	8.00	T27	Z1550M



6-Lobe with Pin Key

Drive Size	Steel Part Number
T20	KEYT20
T27	KEYT27
T40	KEYT40
T45	KEYT45



6-Lobe with Pin Bit

Drive Size	Hex Size	Steel Part Number
T20	1/4	BITT20
T27	1/4	BITT27
T40	1/4	BITT40
T45	1/4	BITT45

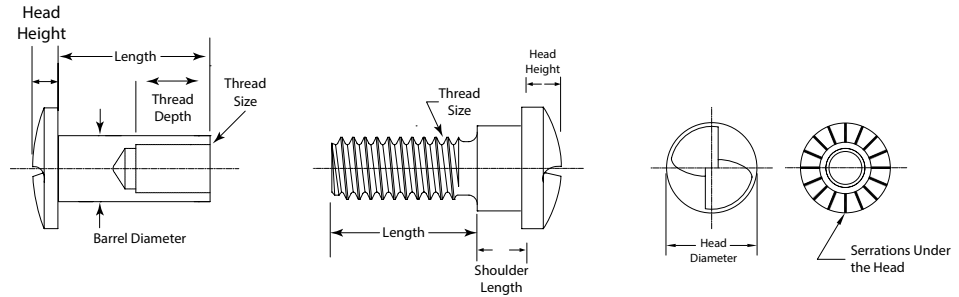


Sex Bolts

One-Way Tamper Resistant Barrels & Screws

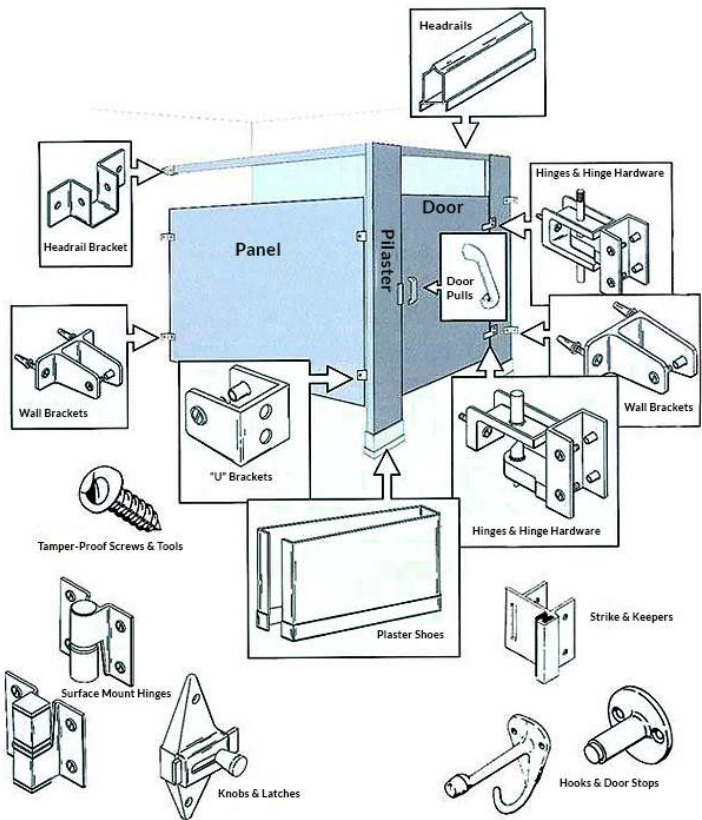
These one-way, slotted drive head sets are the standard for “off the shelf” Sex Bolts and mating parts. Standard fastener items for joining bathroom partitions and fixtures, license plate frames, and other secure installations. The slotted drive head is designed to instantly cause cam-out if the driver is turned in the wrong direction. Used for long-lasting applications since they are difficult to remove.

- Materials and finishes offered in:
- 18-8 Stainless Steel | Plain Finish



Common Partition Sizes (Inch)	
Door Thickness	Part Numbers
1/2	(1) Z4378 and (1) Z4379
1	(1) Z4384 and (1) Z4381
1-1/4	(1) Z4384 and (1) Z4382

One-Way Dimensions — Inch				
Barrel Dia.	Thread Size	Head Dia.	Head Height	Drive Size
1/4	10-24	7/16	7/64	One-Way



One-Way Tamper Resistant Barrels & Screws — Inch

18-8 SS | Plain Finish, Black Oxide Finish



Tamper Resistant Dimensions — Inch

Barrel Dia.	Thread Size	Head Dia.	Head Height	Drive Size
1/4	10-24	7/16	7/64	One-Way



Tamper Resistant Barrels

Barrel Diameter	Barrel Length	Thread Depth	18-8 SS Part Number
1/4	1/4	3/16	Z4376
	5/8	11/32	Z4379
	3/8	3/8	Z4380
1/4	1/2	9/16	Z4377
	3/4	5/8	Z4381
	1	7/8	Z4382

Tamper Resistant Screws

Screw Size	Thread Length	Shoulder Length	Shoulder Diameter	Total Lg Under Head	18-8 SS Part Number	18-8 SS Black Ox. Part Number
10-24 x 1/4	1/4	1/8	1/4	3/8	Z4378	Z4378-BK
10-24 x 3/8	3/8	1/8	1/4	1/2	Z4383	—
10-24 x 7/32	7/32	1/4	1/4	15/32	Z4375	Z4375-BK
10-24 x 11/32	11/32	1/4	1/4	19/32	Z4388	Z4388-BK
10-24 x 1/2	1/2	1/4	1/4	3/4	Z4384	Z4384-BK
10-24 x 5/8	5/8	1/4	1/4	7/8	Z4390	Z4390-BK
10-24 x 11/16	11/16	1/4	1/4	15/16	Z4385	Z4385-BK
10-24 x 15/16	15/16	1/4	1/4	1-3/16	Z4386	Z4386-BK
10-24 x 1-1/16	1-1/16	1/4	1/4	1-5/16	Z4387	Z4387-BK

Tamper Resistant Kit — Inch



18-8 SS Part Number

Z4401-KIT

- (10) Male and Female 1/2" Grip Range by 1/4 Shoulder Dia.
- (10) Male and Female 3/4" Grip Range by 1/4 Shoulder Dia.
- (10) Male and Female 1" Grip Range by 1/4 Shoulder Dia.
- (10) Male and Female 1-1/4 Grip Range by 1/4 Shoulder Dia.
- (10) 3/16 Combo Barrel Dia x 3/8 Lg with 6-32 x 5/16 Mating Screw
- (10) 13/64 Combo Barrel Dia x 1/2 Lg with 6-32 x 5/16 Mating Screw
- (10) 13/64 Combo Barrel Dia x 1/2 Lg with 8-32 x 5/16 Mating Screw
- (5) 1/4 Combo Barrel Dia x 1 Lg with 10-24 x 5/16 Mating Screw
- (5) 3/8 Combo Barrel Dia x 1/2 Lg with 5/16-18 Threads and 5/16-18 x 5/16 Mating Screw
- (5) 5/16 Barrel x 1-3/16 Lg Binding Barrel and Screw
- (5) 3/8 Barrel x 1-9/16 Lg Architectural Binding Barrel and Screw
- (5) 3/8 Barrel x 2-1/16 Lg Architectural Binding Barrel and Screw

Sex Bolts

For technical drawings and charts, please see page A-32

18-8 SS

One-Way Tamper Resistant Barrel & Screw Sets – Inch

18-8 SS | Plain Finish, Black Oxide



Barrel and Screw Sets

Barrel					Screw			Set				
Barrel Dia.	For Material Thickness (min, max)	Barrel Length	Thread Depth	Barrel Part Number	Screw Length	Screw Length (with shoulder)	Screw Part Number	Thread Size	Head Dia.	Head Height	Qty	18-8 SS Set Part Number
1/4	1/2 to 5/8	1/4	7/32	Z4376	7/32	15/32	Z4375	10-24	7/16	7/64	5	Z4376SPAK
	7/8 to 1-1/8	5/8	9/16	Z4377	3/4	1/2	Z4384	10-24	7/16	7/64	5	Z4377SPAK
	1/2 to 5/8	3/8	5/16	Z4379	3/8	1/4	Z4378	10-24	7/16	7/64	10	Z4379PAK
	5/8 to 3/4	3/8	5/16	Z4379	15/32	7/32	Z4375	10-24	7/16	7/64	5	Z4379SPAK
1/4	5/8 to 3/4	1/2	3/8	Z4380	3/8	1/4	Z4378	10-24	7/16	7/64	5	Z4380LPAK
	3/4 to 7/8	1/2	3/8	Z4380	3/4	1/2	Z4384	10-24	7/16	7/64	10	Z4380PAK
	3/4 to 7/8	1/2	3/8	Z4380	15/32	7/32	Z4375	10-24	7/16	7/64	5	Z4380SPAK
	7/8 to 1-1/8	3/4	9/16	Z4381	1/2	3/8	Z4383	10-24	7/16	7/64	5	Z4381LPAK
1/4	1 to 1-3/8	3/4	9/16	Z4381	3/4	1/2	Z4384	10-24	7/16	7/64	10	Z4381PAK
	1-1/8 to 1-3/8	1	9/16	Z4382	1/2	3/8	Z4383	10-24	7/16	7/64	1	Z4382LPAK
	1-1/4 to 1-5/8	1	9/16	Z4382	3/4	1/2	Z4384	10-24	7/16	7/64	10	Z4382PAK
	1-1/4 to 1-3/4	1	9/16	Z4382	15/16	11/16	Z4385	10-24	7/16	7/64	5	Z4393PAK
1/4	1-1/4 to 1-7/8	1	9/16	Z4382	1-3/16	15/16	Z4386	10-24	7/16	7/64	5	Z4394PAK
	1-1/4 to 2	1	9/16	Z4382	1-5/16	1-1/16	Z4387	10-24	7/16	7/64	5	Z4395PAK



Barrel					Screw			Set				
Barrel Dia.	For Material Thickness (min, max)	Barrel Length	Thread Depth	Barrel Part Number	Screw Length	Screw Length (with shoulder)	Screw Part Number	Thread Size	Head Dia.	Head Height	Qty	18-8 SS, Bk Ox. Part Number
1/4	1/2 to 5/8	1/4	7/32	Z4376-BK	15/32	7/32	Z4375-BK	10-24	7/16	7/64	5	Z4376SPAK-B
	3/4 to 7/8	5/8	9/16	Z4377-BK	3/4	1/2	Z4384-BK	10-24	7/16	7/64	5	Z4377PAK-B
	7/8 to 1-1/8	3/8	5/16	Z4379-BK	3/8	1/4	Z4378-BK	10-24	7/16	7/64	10	Z4377SPAK-B
	1/2 to 5/8	3/8	5/16	Z4379-BK	15/32	7/32	Z4375-BK	10-24	7/16	7/64	5	Z4379PAK-B
1/4	5/8 to 3/4	1/2	3/8	Z4380-BK	3/8	1/4	Z4378-BK	10-24	7/16	7/64	5	Z4379SPAK-B
	5/8 to 3/4	1/2	3/8	Z4380-BK	3/4	1/2	Z4384-BK	10-24	7/16	7/64	10	Z4380LPAK-B
	3/4 to 7/8	1/2	3/8	Z4380-BK	15/32	7/32	Z4375-BK	10-24	7/16	7/64	5	Z4380SPAK-B
	7/8 to 1-1/8	3/4	9/16	Z4381-BK	1/2	3/8	Z4383-BK	10-24	7/16	7/64	5	Z4381LPAK-B
1/4	1 to 1-3/8	3/4	9/16	Z4381-BK	3/4	1/2	Z4384-BK	10-24	7/16	7/64	10	Z4381PAK-B
	1-1/8 to 1-3/8	1	9/16	Z4382-BK	1/2	3/8	Z4383-BK	10-24	7/16	7/64	1	Z4382LPAK-B
	1-1/4 to 1-5/8	1	9/16	Z4382-BK	3/4	1/2	Z4384-BK	10-24	7/16	7/64	10	Z4382PAK-B
	1-1/4 to 1-3/4	1	9/16	Z4382-BK	15/16	11/16	Z4385-BK	10-24	7/16	7/64	5	Z4393PAK-B
1/4	1-1/4 to 1-7/8	1	9/16	Z4382-BK	1-3/16	15/16	Z4386-BK	10-24	7/16	7/64	5	Z4394PAK-B
	1-1/4 to 2	1	9/16	Z4382-BK	1-5/16	1-1/16	Z4387-BK	10-24	7/16	7/64	5	Z4395PAK-B

Door Hardware Barrels (Architectural Series)



Architectural Door Hardware Barrels have smooth Truss Heads — no drive. The knurled barrel keeps the barrel from spinning while the flat head screw is tightened from the other side. These parts are secure as there is no way to turn the barrel without a drive in the head.

Door Hardware Barrels have many applications but are most often used to attach door hardware (kickplates, panic bars, door closers, hinges) to doors. When used in a hollow door, they provide strength, security, and easy assembly from the other side.

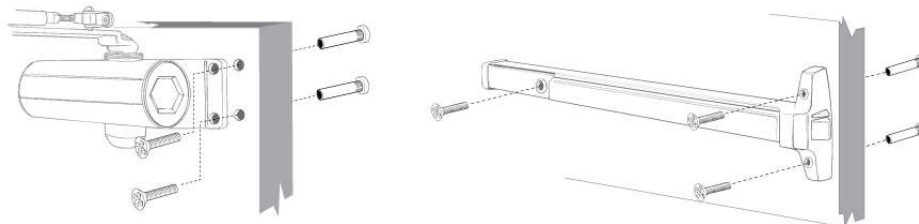
Mating screw is a Phillips flat head (82° countersunk) with material and finish to match the barrel. Priced by the set — (1) female sex bolt and (1) male Phillips flat head screw — or you can order only the female bolt.

Materials and finishes offered in:

- Aluminum | Plain Finish
- Steel | Plain Finish, Brass Plated, Zinc Plated, Chrome Plated
- 18-8 Stainless Steel | Plain Finish
- 316 Stainless Steel | Plain Finish
- Brass | Plain Finish, Dark Bronze Plated, and Chrome Plated

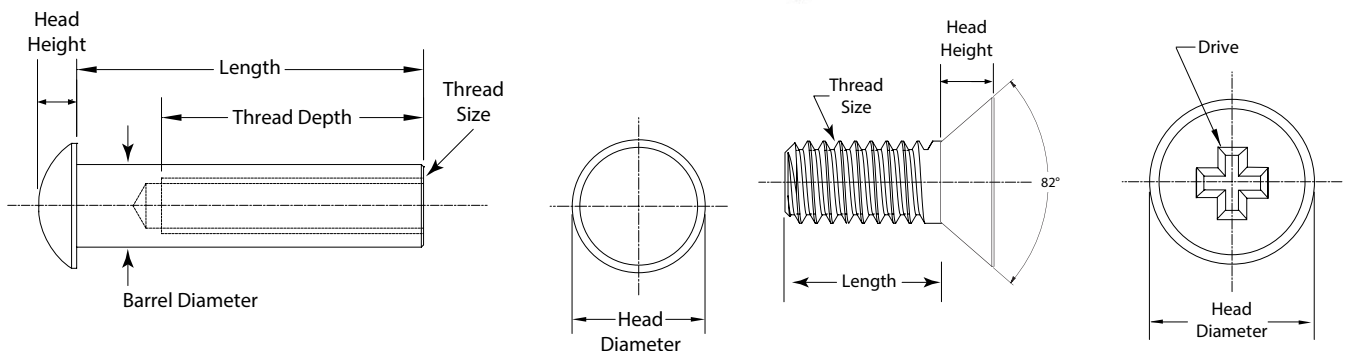
Door Hardware Dimensions — Inch

Barrel Dia.	Thread Size	Head Dia.	Head Height
1/4	8-32	1/2	1/8
5/16	10-32, 12-24	1/2	1/8
3/8	1/4-20	9/16	5/32
1/2	5/16-18, 3/8-16	3/4	3/16
5/8	1/2-13	1	1/4



Common Door Sizes (Inch)

Door Thickness	Binding Barrel Length
1-3/8	1-3/16
1-3/4	1-9/16
2-1/4	2-1/16



Aluminum



Steel



18-8 SS



316 SS



Brass

Sex Bolts

For technical drawings and charts, please see page A-35

Aluminum,
Steel

Door Hardware Barrels & Sets – Inch Aluminum | Plain Finish



Door Hardware Dimensions – Inch

Barrel Dia.	Thread Size	Head Dia.	Head Height
1/4	8-32	1/2	1/8
5/16	10-32, 12-24	1/2	1/8
3/8	1/4-20	9/16	5/32
1/2	5/16-18, 3/8-16	3/4	3/16
5/8	1/2-13	1	1/4



Door Hardware Barrels

Barrel Diameter	Barrel Length	Thread Size	Thread Depth	Aluminum Part Number
3/8	1-9/16	1/4-20	1	Z5218-1A
	1-11/16	1/4-20	3/4	Z5250-1



Door Hardware Sets

Barrel Diameter	Grip Range	Barrel Length	Thread Depth	Mating Screw	Aluminum Part Number
3/8	1-9/16	1-9/16	1	1/4-20 x 1	Z5218
	1-11/16	1-11/16	3/4	1/4-20 x 3/4	Z5250

Door Hardware Barrels & Sets – Inch Steel | Plain Finish



Steel, Plain Finish



Steel, Zinc Plating



Steel, Chrome Plating



Steel, Brass Plating

Door Hardware Barrels

Barrel Diameter	Barrel Length	Thread Size	Thread Depth	Steel, Plain Part Number	Steel, Zinc Part Number	Steel, Chrome Part Number	Steel, Brass Part Number
3/8	1-3/16		3/4	Z5214	–	–	–
	1-7/8	1/4-20	3/4	–	Z5201	–	–
	1-9/16		1	Z5215-1A	Z5215-1E	Z5216-1E	Z5217-1E



Steel, Zinc Plating



Steel, Chrome Plating



Steel, Brass Plating

Door Hardware Sets

Grip Range (min to max)	Barrel Length	Mating Screw	Steel, Zinc Set Part Number	Steel, Chrome Set Part Number	Steel, Brass Set Part Number
1-3/4 - 2-3/16	1-9/16	1/4-20 x 1	Z5215	–	–
2-1/16 - 2-11/16	1-9/16	1/4-20 x 1-1/2	–	Z5216	–
2-1/16 - 2-11/16	1-9/16	1/4-20 x 1-1/2	–	–	Z5217

Door Hardware Barrels & Sets — Inch 18-8 SS | Plain Finish



Door Hardware Dimensions — Inch

Barrel Dia.	Thread Size	Head Dia.	Head Height
1/4	8-32	1/2	1/8
5/16	10-32, 12-24	1/2	1/8
3/8	1/4-20	9/16	5/32
1/2	5/16-18, 3/8-16	3/4	3/16
5/8	1/2-13	1	1/4



Door Hardware Barrels

Barrel Diameter	Barrel Length	Thread Size	Thread Depth	18-8 SS Part Number
1/4	1-3/16	8-32	5/8	Z4876-1
	1-9/16	8-32	5/8	Z4886-1
	2	8-32	5/8	Z4889-1
	3	8-32	5/8	Z4890-1
5/16	1-3/16	10-32	3/4	Z5025-1
	1-9/16	10-32	3/4	Z5125-1
	2	10-32	3/4	Z5126-1
5/16	3	10-32	3/4	Z5127-1
	1-3/16	12-24	3/4	Z5128-1
	1-9/16	12-24	3/4	Z5129-1
5/16	2-1/16	12-24	3/4	Z5130-1
	3/4	1/4-20	1/2	Z5220-1
	1	1/4-20	5/8	Z5221-1
3/8	1-3/16	1/4-20	3/4	Z5222
	1-9/16	1/4-20	3/4	Z5225-1
	2-1/16	1/4-20	3/4	Z5325-1
	3	1/4-20	3/4	Z5326-1
3/8	4	1/4-20	3/4	Z5327-1
	1-9/16	5/16-18	3/4	Z5234-1
1/2	1-3/4	3/8-16	3/4	Z5235-1
	2-1/16	5/16-18	3/4	Z5425-1
	3	5/16-18	3/4	Z5426-1

Door Hardware Sets

Barrel Diameter	Grip Range (min to max)	Barrel Length	Mating Screw	18-8 SS Set Part Number
1/4	1-7/16 - 1-13/16	1-3/16	8-32 x 7/8	Z4876
	1-13/16 - 2-3/16	1-9/16	8-32 x 7/8	Z4886
	2-1/4 - 2-5/8	2	8-32 x 7/8	Z4889
	3-1/4 - 3-5/8	3	8-32 x 7/8	Z4890
5/16	1-7/16 - 1-29/32	1-3/16	10-32 x 1	Z5025
	1-13/16 - 2-9/32	1-9/16	10-32 x 1	Z5125
	2-1/4 - 2-23/32	2	10-32 x 1	Z5126
5/16	3-1/4 - 3-23/32	3	10-32 x 1	Z5127
	1-7/16 - 1-7/8	1-3/16	12-24 x 1	Z5128
	1-13/16 - 2-1/4	1-9/16	12-24 x 1	Z5129
5/16	2-5/16 - 2-3/4	2-1/16	12-24 x 1	Z5130
	3/4	3/4	1/4-20 x 1	Z5140
	1-3/16	1-3/16	1/4-20 x 1	Z5142
3/8	1-1/4 - 1-3/8	3/4	1/4-20 x 1	Z5220
	1-1/4 - 1-1/2	1	1/4-20 x 7/8	Z5221
	1-7/16 - 1-13/16	1-3/16	1/4-20 x 1	Z5142
	1-13/16 - 2-3/16	1-9/16	1/4-20 x 1	Z5225
3/8	2-5/16 - 2-11/16	2-1/16	1/4-20 x 1	Z5325
	3-3/4 - 4-1/8	3	1/4-20 x 1-1/2	Z5326
	4-3/4 - 5-1/8	4	1/4-20 x 1-1/2	Z5327
1/2	1-13/16 - 2-3/32	1-9/16	5/16-18 x 1	Z5234
	2 - 2-3/16	1-3/4	3/8-16 x 1	Z5235
	2-13/16 - 3-3/32	2-1/16	5/16-18 x 1-1/2	Z5425
	3-3/4 - 4-3/32	3	5/16-18 x 1-1/2	Z5426

Sex Bolts

For technical drawings and charts, please see page A-35

316 SS

Door Hardware Barrels & Sets – Inch

316 SS | Plain Finish



Door Hardware Dimensions – Inch

Barrel Dia.	Thread Size	Head Dia.	Head Height
1/4	8-32	1/2	1/8
5/16	10-32, 12-24	1/2	1/8
3/8	1/4-20	9/16	5/32
1/2	5/16-18, 3/8-16	3/4	3/16
5/8	1/2-13	1	1/4



Door Hardware Barrels

Barrel Diameter	Barrel Length	Thread Size	Thread Depth	316 SS Part Number
1/4	1-3/16	8-32	5/8	Z4877
	1-9/16	8-32	5/8	Z4885
	2	8-32	5/8	Z4893
	3	8-32	5/8	Z4894
5/16	1-3/16	10-32	3/4	Z5024
	1-9/16	10-32	3/4	Z5124
	2	10-32	3/4	Z5131
	3	10-32	3/4	Z5132
3/8	3/4	1/4-20	1/2	Z5219
3/8	1	1/4-20	5/8	Z5223
3/8	1-3/16	1/4-20	3/4	Z5224
	1-9/16	1/4-20	3/4	Z5197-1
	2-1/16	1/4-20	3/4	Z5198-1
	3	1/4-20	3/4	Z5199-1
1/2	2-1/16	5/16-18	3/4	Z5206-1
	3	5/16-18	3/4	Z5207-1
5/8	3	1/2-13	1	Z5209-1



Door Hardware Sets

Barrel Diameter	Grip Range (min to max)	Barrel Length	Mating Screw	316 SS Set Part Number
1/4	1-5/16 to 1-11/16	1-3/16	8-32 x 3/4	Z5180
	1-11/16 to 2-1/16	1-9/16	8-32 x 3/4	Z5181
	2-1/8 to 2-1/2	2	8-32 x 3/4	Z5182
	3-1/8 to 3-1/2	3	8-32 x 3/4	Z5183
5/16	1-7/16 to 1-29/32	1-3/16	10-32 x 1	Z5190
	1-13/16 to 2-9/32	1-9/16	10-32 x 1	Z5191
	2-1/4 to 2-23/32	2	10-32 x 1	Z5192
	3-1/4 to 3-23/32	3	10-32 x 1	Z5193
3/8	15/16 to 1-1/16	3/4	1/4-20 x 1/2	Z5194
	1-13/64 to 1-1/8	1	1/4-20 x 1/2	Z5195
3/8	1-15/16 to 2-5/16	1-3/16	1/4-20 x 1-1/2	Z5196
	2-5/16 to 2-11/16	1-9/16	1/4-20 x 1-1/2	Z5197
	2-13/16 to 3-3/16	2-1/16	1/4-20 x 1-1/2	Z5198
	3-3/4 to 4-1/8	3	1/4-20 x 1-1/2	Z5199
1/2	2-5/16 to 2-19/32	2-1/16	5/16-18 x 1	Z5206
	3-1/4 to 3-17/32	3	5/16-18 x 1	Z5207

Door Hardware Barrels & Sets — Inch

Brass | Plain Finish



Door Hardware Barrels



Brass, Plain



Brass, Chrome Plating



Brass, Bronze Plating

Barrel Diameter	Barrel Length	Thread Size	Thread Depth	Brass, Plain Part Number	Brass, Chrome Part Number	Brass, Bronze Part Number
1/4	1-3/16	8-32	5/8	Z4870-1A	Z4870-1E	Z4874-1E
	1-9/16	8-32	5/8	Z4880-1A	Z4880-1E	Z4884-1E
	2	8-32	5/8	Z4887-1A	Z4887-1E	—
	3	8-32	5/8	Z4888-1A	Z4888-1E	—
5/16	1-3/16	10-32	3/4	Z5000-1A	Z5000-1E	Z5010-1E
	1-9/16	10-32	3/4	Z5100-1A	Z5100-1E	Z5110-1E
	2	10-32	3/4	Z5105-1A	Z5102-1E	—
5/16	3	10-32	3/4	Z5103-1A	Z5103-1E	—
	1-3/16	12-24	3/4	Z5115-1A	Z5115-1E	Z5117-1E
	1-9/16	12-24	3/4	Z5120-1A	Z5120-1E	Z5122-1E
3/8	2-1/16	12-24	3/4	Z5315-1A	Z5315-1E	Z5317-1E
	3/4	1/4-20	1/2	Z5155-1A	Z5155-1E	—
	1	1/4-20	5/8	Z5156-1	Z5151-1	—
3/8	1-3/16	1/4-20	3/4	Z5157-1A	Z5157-1E	—
	1-9/16	1/4-20	1-1/4	Z5200-1A	Z5200-1E	Z5210-1E
	2-1/16	1/4-20	1-1/4	Z5300-1A	Z5300-1E	Z5310-1E
3/8	3	1/4-20	3/4	Z5301-1A	Z5301-1E	—
	2-1/16	5/16-18	1-1/4	Z5400-1A	Z5400-1E	Z5410-1E
	3	5/16-18	3/4	Z5401-1A	Z5401-1E	—

Door Hardware Sets



Brass, Plain



Brass, Chrome Plating



Brass, Bronze Plating

Barrel Diameter	Grip Range (min to max)	Barrel Length	Mating Screw	Brass, Plain Set Part Number	Brass, Chrome Set Part Number	Brass, Bronze Set Part Number
1/4	1-9/16 to 1-15/16	1-3/16	8-32 x 1	Z4872	Z4870	Z4874
	1-15/16 to 2-5/16	1-9/16	8-32 x 1	Z4882	Z4880	Z4884
	2-3/8 to 2-3/4	2	8-32 x 1	Z4891	Z4887	—
	3-3/8 to 3-3/4	3	8-32 x 1	Z4892	Z4888	—
5/16	1-7/16 to 1-29/32	1-3/16	10-32 x 1	Z5005	Z5000	Z5010
	1-13/16 to 2-9/32	1-9/16	10-32 x 1	Z5105	Z5100	Z5110
	2-1/4 to 2-23/32	2	10-32 x 1	Z5101	Z5102	—
	3-1/4 to 3-11/16	3	10-32 x 1	Z5104	Z5103	—
5/16	1-7/16 to 1-7/8	1-3/16	12-24 x 1	Z5116	Z5115	Z5117
	1-13/16 to 2-1/4	1-9/16	12-24 x 1	Z5121	Z5120	Z5122
	2-5/16 to 2-3/4	2-1/16	12-24 x 1	Z5316	Z5315	Z5317
3/8	15/16 to 1-1/16	3/4	1/4-20 x 1/2	Z5155	Z5150	—
	1-13/64 to 1-21/64	1	1/4-20 x 1/2	Z5156	Z5151	—
3/8	1-15/16 to 2-5/16	1-3/16	1/4-20 x 1-1/2	Z5157	Z5152	—
	1-13/16 to 2-11/16	1-9/16	1/4-20 x 1-1/2	Z5205	Z5200	Z5210
	2-5/16 to 3-3/16	2-1/16	1/4-20 x 1-1/2	Z5305	Z5300	Z5310
	3-3/4 to 4-1/8	3	1/4-20 x 1-1/2	Z5302	Z5301	—
1/2	2-5/16 to 3-3/32	2-1/16	5/16-18 x 1-1/2	Z5405	Z5400	Z5410
	3-3/4 to 4-3/32	3	5/16-18 x 1-1/2	Z5402	Z5401	—

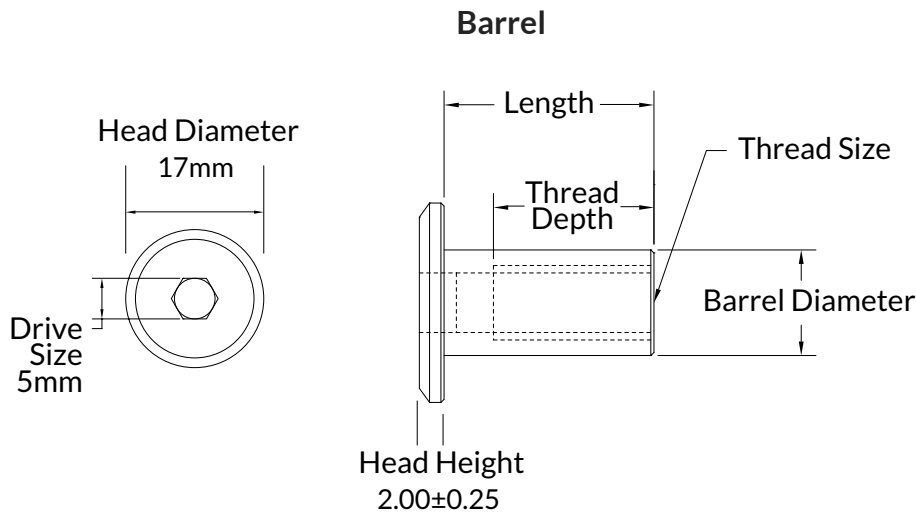
Sex Bolts

Furniture Hardware (Connector Nuts and Bolts)

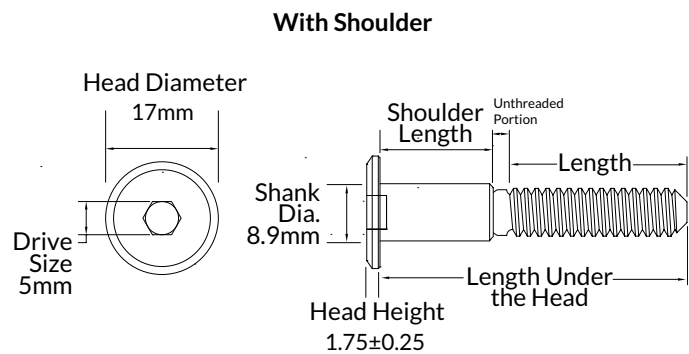
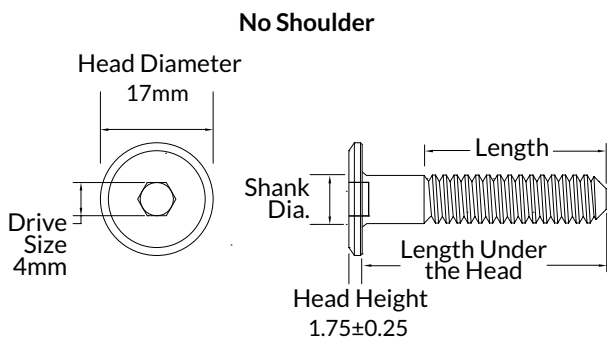
Furniture Nuts and Bolts are used for joining any two parts or pieces together, with a finished appearance. Most commonly used to join panels together, such as cabinets, bookcases, and other furniture fixtures. The hex drive allows maximum leverage and force to be applied to the connection. These fasteners have a low profile and beveled edges on the exposed head, presenting a decorative and finished look.

Materials and finishes offered in:

- Steel | Plain Finish, Brass, Black Oxide, Bronze, Nickel and Zinc Plating



Screws



Furniture Post Shoulder Screws have an unthreaded portion under the shoulder.

Steel

For technical drawings and charts, please see page A-40

Furniture Barrels (Connector Nuts) – Inch/Metric



Steel, Plain



Steel, Brass



Steel, Black Oxide



Steel, Dark Bronze



Steel, Nickel



Steel, Zinc

Thread Size	Barrel Length	Thread Depth	Barrel Diameter	Steel, Plain Part Number	Steel, Brass Part Number	Steel, Bk-Oxide Part Number	Steel, Bronze Part Number	Steel, Nickel Part Number	Steel, Zinc Part Number
1/4-20	12mm (.472)	8mm (.315)	9mm (.354)	Z4452-A	Z4452-BR	Z4452-BX	Z4452-BZ	Z4452-NI	Z4452-ZN
1/4-20	17mm (.699)	13mm (.512)	9mm (.354)	Z4456-A	Z4456-BR	Z4456-BX	Z4456-BZ	Z4456-NI	Z4456-ZN
5/16-18	17mm (.699)	13mm (.512)	11mm (.433)	Z4460-A	Z4460-BR	Z4460-BX	Z4460-BZ	Z4460-NI	Z4460-ZN

Furniture Shoulder Screws – Inch/Metric



Note: Furniture Shoulder Screws have an unthreaded portion under the shoulder. See product line drawing on page A-40.



Steel, Plain



Steel, Brass



Steel, Black Oxide



Steel, Dark Bronze



Steel, Nickel



Steel, Zinc

Thread Size	Lg. Under Head	Thread Length	Shoulder Length	12mm Nut Grip Range	17mm Nut Grip Range	Steel, Plain Part Number	Steel, Brass Part Number	Steel, Bk-Ox. Part Number	Steel, Bronze Part Number	Steel, Nickel Part Number	Steel, Zinc Part Number
1/4-20	23mm (.906)	13mm (.512)	10mm (.394)	27 - 31mm	27 - 34mm	Z4467-A	Z4467-BR	Z4467-BX	Z4467-BZ	Z4467-NI	Z4467-ZN
	30mm (1.181)	20mm (.787)	10mm (.394)	34 - 38mm	34 - 41mm	Z4468-A	Z4468-BR	Z4468-BX	Z4468-BZ	Z4468-NI	Z4468-ZN
	35mm (1.378)	25mm (.984)	10mm (.394)	39 - 43mm	39 - 46mm	Z4469-A	Z4469-BR	Z4469-BX	Z4469-BZ	Z4469-NI	Z4469-ZN
	40mm (1.575)	30mm (1.181)	10mm (.394)	44 - 48mm	44 - 51mm	Z4470-A	Z4470-BR	Z4470-BX	Z4470-BZ	Z4470-NI	Z4470-ZN
1/4-20	45mm (1.772)	35mm (1.378)	10mm (.394)	49 - 53mm	49 - 56mm	Z4471-A	Z4471-BR	Z4471-BX	Z4471-BZ	Z4471-NI	Z4471-ZN
	50mm (1.969)	32mm (1.259)	18mm (.709)	54 - 58mm	54 - 61mm	Z4472-A	Z4472-BR	Z4472-BX	Z4472-BZ	Z4472-NI	Z4472-ZN
	60mm (2.362)	35mm (1.378)	18mm (.709)	64 - 68mm	64 - 71mm	Z4473-A	Z4473-BR	Z4473-BX	Z4473-BZ	Z4473-NI	Z4473-ZN
	70mm (2.756)	35mm (1.378)	18mm (.709)	74 - 78mm	74 - 81mm	Z4474-A	Z4474-BR	Z4474-BX	Z4474-BZ	Z4474-NI	Z4474-ZN
1/4-20	80mm (3.150)	35mm (1.378)	18mm (.709)	84 - 88mm	84 - 91mm	Z4475-A	Z4475-BR	Z4475-BX	Z4475-BZ	Z4475-NI	Z4475-ZN
	90mm (3.543)	35mm (1.378)	18mm (.709)	94 - 98mm	94 - 101mm	Z4476-A	Z4476-BR	Z4476-BX	Z4476-BZ	Z4476-NI	Z4476-ZN
	100mm (3.937)	35mm (1.378)	18mm (.709)	104 - 108mm	104 - 111mm	Z4477-A	Z4477-BR	Z4477-BX	Z4477-BZ	Z4477-NI	Z4477-ZN

Sex Bolts

For technical drawings and charts, please see page A-40

Steel

Furniture Screws (No Shoulder) — Inch/Metric



Steel, Plain



Steel, Brass



Steel, Black Oxide



Steel, Dark Bronze



Steel, Nickel



Steel, Zinc

Thread Size	Lg. Under Head	Thread Length	12mm Nut Grip Range (min to max)	17mm Nut Grip Range (min to max)	Steel, Plain Part Number	Steel, Brass Part Number	Steel, Bk-Oxide Part Number	Steel, Bronze Part Number	Steel, Nickel Part Number	Steel, Zinc Part Number
1/4-20	20mm (1.787)	17mm	24 - 28mm	24 - 31mm	Z4478-A	Z4478-BR	Z4478-BX	Z4478-BZ	Z4478-NI	Z4478-ZN
	23mm (1.906)	13mm	27 - 31mm	27 - 34mm	Z4479-A	Z4479-BR	Z4479-BX	Z4479-BZ	Z4479-NI	Z4479-ZN
	25mm (1.984)	22mm	29 - 33mm	29 - 36mm	Z4480-A	Z4480-BR	Z4480-BX	Z4480-BZ	Z4480-NI	Z4480-ZN
	30mm (1.184)	20mm	34 - 38mm	34 - 41mm	Z4481-A	Z4481-BR	Z4481-BX	Z4481-BZ	Z4481-NI	Z4481-ZN
1/4-20	35mm (1.378)	30mm	39 - 43mm	39 - 46mm	Z4482-A	Z4482-BR	Z4482-BX	Z4482-BZ	Z4482-NI	Z4482-ZN
	40mm (1.575)	30mm	44 - 48mm	44 - 51mm	Z4483-A	Z4483-BR	Z4483-BX	Z4483-BZ	Z4483-NI	Z4483-ZN
	45mm (1.772)	30mm	49 - 53mm	49 - 56mm	Z4484-A	Z4484-BR	Z4484-BX	Z4484-BZ	Z4484-NI	Z4484-ZN
	50mm (1.969)	40mm	54 - 58mm	54 - 61mm	Z4485-A	Z4485-BR	Z4485-BX	Z4485-BZ	Z4485-NI	Z4485-ZN
1/4-20	60mm (2.362)	40mm	64 - 68mm	64 - 71mm	Z4486-A	Z4486-BR	Z4486-BX	Z4486-BZ	Z4486-NI	Z4486-ZN
	70mm (2.756)	40mm	74 - 78mm	74 - 81mm	Z4487-A	Z4487-BR	Z4487-BX	Z4487-BZ	Z4487-NI	Z4487-ZN
	80mm (3.150)	40mm	84 - 88mm	84 - 91mm	Z4488-A	Z4488-BR	Z4488-BX	Z4488-BZ	Z4488-NI	Z4488-ZN
	90mm (3.543)	40mm	94 - 98mm	94 - 101mm	Z4489-A	Z4489-BR	Z4489-BX	Z4489-BZ	Z4489-NI	Z4489-ZN
1/4-20	100mm (3.937)	40mm	104 - 108mm	104 - 111mm	Z4490-A	Z4490-BR	Z4490-BX	Z4490-BZ	Z4490-NI	Z4490-ZN
	110mm (4.331)	40mm	114 - 118mm	114 - 121mm	Z4491-A	Z4491-BR	Z4491-BX	Z4491-BZ	Z4491-NI	Z4491-ZN
	120mm (4.724)	40mm	124 - 128mm	124 - 131mm	Z4492-A	Z4492-BR	Z4492-BX	Z4492-BZ	Z4492-NI	Z4492-ZN
5/16-18	40mm (1.575)	30mm	—	44 - 51mm	Z4493-A	Z4493-BR	Z4493-BX	Z4493-BZ	Z4493-NI	Z4493-ZN
	50mm (1.969)	30mm	—	54 - 61mm	Z4494-A	Z4494-BR	Z4494-BX	Z4494-BZ	Z4494-NI	Z4494-ZN
	60mm (2.362)	40mm	—	64 - 71mm	Z4495-A	Z4495-BR	Z4495-BX	Z4495-BZ	Z4495-NI	Z4495-ZN
	70mm (2.756)	40mm	—	74 - 81mm	Z4496-A	Z4496-BR	Z4496-BX	Z4496-BZ	Z4496-NI	Z4496-ZN
5/16-18	80mm (3.150)	40mm	—	84 - 91mm	Z4497-A	Z4497-BR	Z4497-BX	Z4497-BZ	Z4497-NI	Z4497-ZN
	100mm (3.937)	40mm	—	104 - 111mm	Z4498-A	Z4498-BR	Z4498-BX	Z4498-BZ	Z4498-NI	Z4498-ZN

Binding Posts & Screws (Chicago Screws)



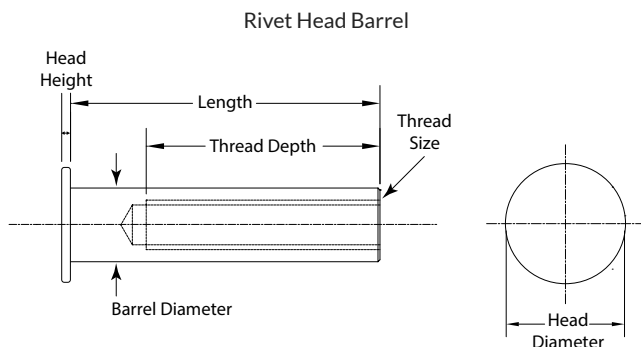
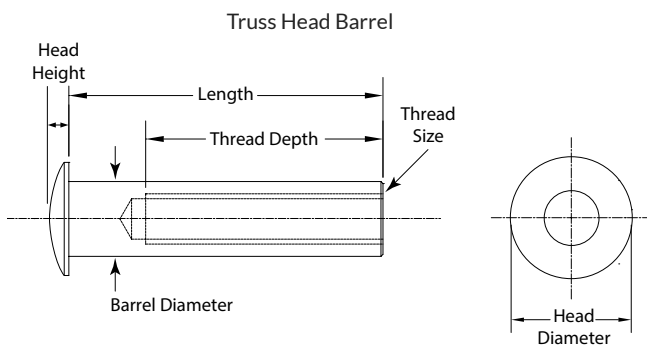
Binding Posts and Screws are known by many names: Mating Fasteners, Architectural Screws, Binding Screws, Binding Bolts, Binding Barrels, Chicago Screws, Male & Female Bolts, Sex Bolts and Threaded Rivets. A binding post and screw are designed to clamp material between the head of the barrel and the head of the screw, or to bridge the gap between two parts, like going through a hollow door. In addition to the standard printing industry binding applications, binding posts provide a clean, flush, and secure fastener for many other applications. Use extensions for additional lengths.

Materials and finishes offered in:

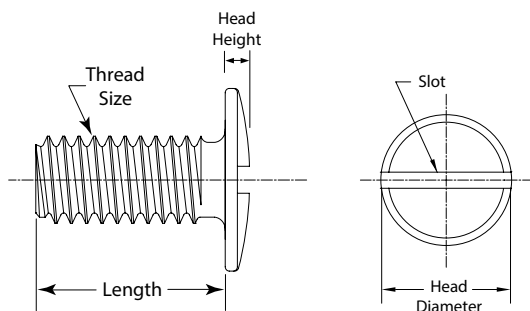
- Aluminum | Plain Finish, Black Anodized Finish
- Steel | Zinc-Plated Finish, Black Oxide Finish
- 18-8 Stainless Steel | Plain Finish, Black Oxide Finish
- 316 Stainless Steel | Plain Finish
- Brass | Plain Finish
- Copper | Plain Finish
- Plastic | Black Color, White Color

Dimensions and Tolerance Table – Inch

Barrel Diameter	Barrel Thread Size	Head Diameter	Barrel Head Height	Head Style
13/64	8-32	13/32	.050 - .070	Truss
13/64	8-32	13/32	.031	Rivet



Slotted Truss Head Screw



Sex Bolts

For technical drawings and charts, please see page A-43

Aluminum

Binding Posts & Screws — Inch

Aluminum | Plain Finish

Use extensions for additional lengths, see pages D53-D54.



Truss Head



Rivet Head

Binding Posts

Barrel Length	Thread Depth	Thread Size	Aluminum Truss Head Part Number	Aluminum Rivet Head Part Number
1/8	Tapped Thru*	8-32	Z4302X	—
3/16	Tapped Thru*	8-32	Z4303	—
1/4	Tapped Thru*	8-32	Z4304	—
3/8	Tapped Thru*	8-32	Z4306X	—
1/2	Tapped Thru*	8-32	Z4308T	—
1/4	3/16	8-32	Z4304T	Z4304C
3/8	1/4	8-32	Z4306T	Z4306C
1/2	3/8	8-32	Z4308X	Z4308
5/8	3/8	8-32	Z4310X	Z4310
3/4	3/8	8-32	Z4312X	Z4312
7/8	3/8	8-32	Z4314X	—
1	3/8	8-32	Z4316X	Z4316
1-1/4	3/8	8-32	Z4320X	Z4320
1-1/2	3/8	8-32	Z4324X	Z4324
1-3/4	3/8	8-32	Z4328X	Z4328
2	3/8	8-32	Z4332X	Z4332
2-1/4	3/8	8-32	Z4336X	Z4336
2-1/2	3/8	8-32	Z4344X	Z4344
2-3/4	3/8	8-32	Z4346X	Z4346
3	3/8	8-32	Z4348X	Z4348
3-1/4	3/8	8-32	Z4350	—
3-1/2	3/8	8-32	Z4358X	—
4	3/8	8-32	Z4364X	—
4-1/2	3/8	8-32	Z4366X	—
5	3/8	8-32	Z4368X	—
5-1/2	3/8	8-32	Z4369X	—
6	3/8	8-32	Z4396X	—

Binding Post Assortment Kit



Aluminum Part Number

Z4195

- 240 total pieces
- (120) 8-32 x 3/8" screw
- (40) 13/64 x 1/2" post
- (30) 13/64 x 3/4" post
- (26) 13/64 x 1-1/4" post
- (14) 13/64 x 2" post
- (10) 13/64 x 3" post

*Tapped Thru Head

Dimensions and Tolerance Table — Inch

Barrel Diameter	Barrel Thread Size	Head Diameter	Barrel Head Height	Head Style
13/64	8-32	13/32	.050 - .070	Truss
13/64	8-32	13/32	.031	Rivet



Screws for Binding Posts

Screw Size	Head Height	Head Dia.	Aluminum Part Number
8-32 x 3/16	.050 - .070	13/32	Z4302
8-32 x 1/4	.050 - .070	13/32	Z4301
8-32 x 5/16	.050 - .070	13/32	Z4300516
8-32 x 3/8	.050 - .070	13/32	Z4300



Binding Post Sets

Barrel Length	Barrel P/N	Barrel Head	Screw P/N	Grip Range	Alum. Set Part Number
1/8	Z4302X	Truss	Z4302	1/8 to 3/16	Z4302XPAK*
3/16	Z4303	Truss	Z4302	3/16 to 1/4	Z4303PAK*
1/4	Z4304C	Rivet	Z4302	1/4 to 3/8	Z4304CPAK
1/4	Z4304	Truss	Z4302	1/4 to 3/8	Z4304PAK*
3/8	Z4306C	Rivet	Z4301	3/8 to 1/2	Z4306CPAK
1/2	Z4308	Rivet	Z4301	1/2 to 5/8	Z4308PAK
5/8	Z4310	Rivet	Z4301	5/8 to 3/4	Z4310PAK
3/4	Z4312	Rivet	Z4301	3/4 to 7/8	Z4312PAK
7/8	Z4314X	Truss	Z4301	7/8 to 1	Z4314XPAK
1	Z4316	Rivet	Z4301	1 to 1-1/8	Z4316PAK
1-1/4	Z4320	Rivet	Z4301	1-1/4 to 1-3/8	Z4320PAK
1-1/2	Z4324	Rivet	Z4301	1-1/2 to 1-5/8	Z4324PAK
1-3/4	Z4328	Rivet	Z4301	1-3/4 to 1-7/8	Z4328PAK
2	Z4332	Rivet	Z4301	2 to 2-1/8	Z4332PAK
2-1/4	Z4336	Rivet	Z4301	2-1/4 to 2-3/8	Z4336PAK
2-1/2	Z4344	Rivet	Z4301	2-1/2 to 2-5/8	Z4344PAK
2-3/4	Z4346	Rivet	Z4301	2-3/4 to 2-7/8	Z4346PAK
3	Z4348	Rivet	Z4301	3 to 3-1/8	Z4348PAK
3-1/2	Z4358X	Truss	Z4301	3-1/2 to 3-5/8	Z4358XPAK
4	Z4364X	Truss	Z4301	4 to 4-1/8	Z4364XPAK
4-1/2	Z4366X	Truss	Z4301	4-1/2 to 4-5/8	Z4366XPAK
5	Z4368X	Truss	Z4301	5 to 5-1/8	Z4368XPAK
6	Z4396X	Truss	Z4301	6 to 6-1/8	Z4396XPAK

Binding Posts & Screws — Inch



Aluminum | Black Anodized Finish

Use extensions for additional lengths, see pages D55-D56.

Dimensions and Tolerance Table — Inch

Barrel Diameter	Barrel Thread Size	Head Diameter	Barrel Head Height	Head Style
13/64	8-32	13/32	.050 - .070	Truss



Binding Posts

Length	Thread Size	Thread Depth	Aluminum Part Number
1/8	8-32	Tapped Thru*	Z4302-BK-USA
3/16	8-32	Tapped Thru*	Z4303-BK-USA
1/4	8-32	Tapped Thru*	Z4304-BK-USA
3/8	8-32	Tapped Thru*	Z4306-BK-USA
3/8	8-32	1/4	Z4306C-BK
1/2	8-32	3/8	Z4308X-BK-USA
5/8	8-32	3/8	Z4310X-BK-USA
3/4	8-32	3/8	Z4312X-BK-USA
7/8	8-32	3/8	Z4314X-BK-USA
1	8-32	3/8	Z4316X-BK-USA
1-1/4	8-32	3/8	Z4320X-BK-USA
1-1/2	8-32	3/8	Z4324X-BK-USA
1-3/4	8-32	3/8	Z4328X-BK-USA
2	8-32	3/8	Z4332X-BK-USA
2-1/2	8-32	3/8	Z4344X-BK-USA
2-3/4	8-32	3/8	Z4346X-BK
3	8-32	3/8	Z4348X-BK-USA
4	8-32	3/8	Z4364X-BK-USA
4-1/2	8-32	3/8	Z4366X-BK
5	8-32	3/8	Z4368X-BK-USA
6	8-32	3/8	Z4396X-BK-USA



Screws for Binding Posts

Screw Size	Head Height	Head Dia.	Aluminum Part Number
8-32 x 3/16	.050 - .070	13/32	Z4302S-BK-USA
8-32 x 1/4	.050 - .070	13/32	Z4301-BK
8-32 x 3/8	.050 - .070	13/32	Z4300-BK-USA



Binding Post Sets

Barrel Lg.	Barrel P/N	Screw P/N	Grip Range	Alum. Set Part Number
1/8	Z4302-BK-USA	Z4302S-BK-USA	1/8 to 3/16	Z4374150-USA*
3/16	Z4303-BK-USA	Z4302S-BK-USA	3/16 to 1/4	Z4374151-USA*
1/4	Z4304-BK-USA	Z4300-BK-USA	1/4 to 3/8	Z4374100-USA*
3/8	Z4306-BK-USA	Z4300-BK-USA	3/8 to 5/8	Z4374102-USA*
1/2	Z4308X-BK-USA	Z4300-BK-USA	1/2 to 3/4	Z4374103-USA
5/8	Z4310X-BK-USA	Z4300-BK-USA	5/8 to 3/4	Z4374152-USA
3/4	Z4312X-BK-USA	Z4300-BK-USA	3/4 to 1	Z4374153-USA
7/8	Z4314X-BK-USA	Z4300-BK-USA	7/8 to 1	Z4374154-USA
1	Z4316X-BK-USA	Z4300-BK-USA	1 to 1-1/4	Z4374155-USA
1-1/4	Z4320X-BK-USA	Z4300-BK-USA	1-1/4 to 1-1/2	Z4374156-USA
1-1/2	Z4324X-BK-USA	Z4300-BK-USA	1-1/2 to 1-3/4	Z4374157-USA
1-3/4	Z4328X-BK-USA	Z4300-BK-USA	1-3/4 to 2	Z4374158-USA
2	Z4332X-BK-USA	Z4300-BK-USA	2 to 2-1/4	Z4374159-USA
2-1/2	Z4344X-BK-USA	Z4300-BK-USA	2-1/2 to 2-3/4	Z4374160-USA
3	Z4348X-BK-USA	Z4300-BK-USA	3 to 3-1/4	Z4374161-USA
4	Z4364X-BK-USA	Z4300-BK-USA	4 to 4-1/4	Z4374162-USA
5	Z4368X-BK-USA	Z4300-BK-USA	5 to 5-1/4	Z4374163-USA
6	Z4396X-BK-USA	Z4300-BK-USA	6 to 6-1/4	Z4374164-USA

*Tapped Thru Head

Sex Bolts

For technical drawings and charts, please see page A-43

Steel

Binding Posts & Screws — Inch

Steel | Zinc Plated, Black Oxide



Use extensions for additional lengths, see pages [D55-D56](#).

Dimensions and Tolerance Table — Inch

Barrel Diameter	Barrel Thread Size	Head Diameter	Barrel Head Height	Head Style
13/64	8-32	13/32	.050 - .070	Truss



Binding Posts

Length	Thread Size	Thread Depth	Steel, Zinc Plated Part Number	Steel, Black Oxide Part Number
1/8	8-32	Tapped Thru*	Z4302X-STL-USA	Z4302X-STL-BLK-USA
3/16	8-32	Tapped Thru*	Z4303-STL-USA	Z4303-STL-BLK-USA
1/4	8-32	Tapped Thru*	Z4304-STL-USA	Z4304-BLK-USA
3/8	8-32	1/4	Z4306C-STL-USA	Z4306C-STL-BLK-USA
1/2	8-32	3/8	Z4308-STL-USA	Z4308-STL-BLK-USA
5/8	8-32	3/8	Z4310-STL-USA	Z4310-STL-BLK-USA
3/4	8-32	3/8	Z4312-STL-USA	Z4312-STL-BLK-USA
1	8-32	3/8	Z4316-STL-USA	Z4316-STL-BLK-USA
1-1/4	8-32	3/8	Z4320-STL-USA	Z4320-STL-BLK-USA
1-1/2	8-32	3/8	Z4324-STL-USA	Z4324-STL-BLK-USA
1-3/4	8-32	3/8	Z4328-STL-USA	Z4328-STL-BLK-USA
2	8-32	3/8	Z4332-STL-USA	Z4332-STL-BLK-USA
2-1/4	8-32	3/8	Z4336X-STL-USA	Z4336X-STL-BLK-USA
2-1/2	8-32	3/8	Z4344X-STL-USA	Z4344X-STL-BLK-USA
2-3/4	8-32	3/8	Z4346X-STL-USA	Z4346X-STL-BLK-USA
3	8-32	3/8	Z4348X-STL-USA	Z4348X-BLK-USA
3-1/2	8-32	3/8	Z4356X-STL-USA	Z4356X-STL-BLK-USA
4	8-32	3/8	Z4364X-STL-USA	Z4364X-STL-BLK-USA
4-1/2	8-32	3/8	Z4366X-STL-USA	Z4366X-STL-BLK-USA
5	8-32	3/8	Z4368X-STL-USA	Z4368X-STL-BLK-USA
6	8-32	3/8	Z4369X-STL-USA	Z4369X-STL-BLK-USA



Screws for Binding Posts

Screw Size	Head Height	Head Dia.	Steel, Zinc Part Number	Steel, Black Oxide Part Number
8-32 x 3/16	.050 - .070	13/32	Z4302-STL-USA	Z4302-BLK-USA
8-32 x 3/8	.050 - .070	13/32	Z4300-STL-USA	Z4300-BLK-USA

Binding Post Assortment Kit



- 240 total pieces
- (120) 8-32 x 3/8" screw
- (40) 13/64 x 1/2" post
- (30) 13/64 x 3/4" post
- (26) 13/64 x 1-1/4" post
- (14) 13/64 x 2" post
- (10) 13/64 x 3" post

Steel, Zinc Part Number
Z4198

Binding Posts & Screws — Inch

Steel | Zinc Plated

Use extensions for additional lengths, see pages [D55-D56](#).

Dimensions and Tolerance Table — Inch

Barrel Diameter	Barrel Thread Size	Head Diameter	Barrel Head Height	Head Style
13/64	8-32	13/32	.050 - .070	Truss



Binding Post Sets

Grip Range	Barrel			Screw		Set
	Length	Thread Depth	Barrel Steel, Zinc Part Number	Length	Screw Part Number	Steel, Zinc Plated Barrel & Screw Set
1/8 to 3/16	1/8	Tapped thru*	Z4302X-STL-USA	3/16	Z4302-STL-USA	Z4302XPAK-STL-USA
3/16 to 1/4	3/16	Tapped thru*	Z4303-STL-USA	3/16	Z4302-STL-USA	Z4303PAK-STL-USA
1/4 to 3/8	1/4	Tapped thru*	Z4304-STL-USA	3/16	Z4302-STL-USA	Z4304PAK-STL-USA
3/8 to 7/16	3/8	1/4	Z4306C-STL-USA	3/16	Z4302-STL-USA	Z4306CPAK-STL-USA
1/2 to 3/4	1/2	3/8	Z4308-STL-USA	3/8	Z4300-STL-USA	Z4308PAK-STL-USA
5/8 to 7/8	5/8	3/8	Z4310-STL-USA	3/8	Z4300-STL-USA	Z4310PAK-STL-USA
3/4 to 1	3/4	3/8	Z4312-STL-USA	3/8	Z4300-STL-USA	Z4312PAK-STL-USA
1 to 1-1/4	1	3/8	Z4316-STL-USA	3/8	Z4300-STL-USA	Z4316PAK-STL-USA
1-1/4 to 1-1/2	1-1/4	3/8	Z4320-STL-USA	3/8	Z4300-STL-USA	Z4320PAK-STL-USA
1-1/2 to 1-3/4	1-1/2	3/8	Z4324-STL-USA	3/8	Z4300-STL-USA	Z4324PAK-STL-USA
1-3/4 to 2	1-3/4	3/8	Z4328-STL-USA	3/8	Z4300-STL-USA	Z4328PAK-STL-USA
2 to 2-1/4	2	3/8	Z4332-STL-USA	3/8	Z4300-STL-USA	Z4332PAK-STL-USA
2-1/4 to 2-1/2	2-1/4	3/8	Z4336X-STL-USA	3/8	Z4300-STL-USA	Z4374191-USA-1
2-1/2 to 2-3/4	2-1/2	3/8	Z4344X-STL-USA	3/8	Z4300-STL-USA	Z4374192-USA-1
2-3/4 to 3	2-3/4	3/8	Z4346X-STL-USA	3/8	Z4300-STL-USA	Z4374193-USA-1
3 to 3-1/4	3	3/8	Z4348X-STL-USA	3/8	Z4300-STL-USA	Z4374194-USA-1
3-1/2 to 3-3/4	3-1/2	3/8	Z4356X-STL-USA	3/8	Z4300-STL-USA	Z4374195-USA-1
4 to 4-1/4	4	3/8	Z4364X-STL-USA	3/8	Z4300-STL-USA	Z4374196-USA-1
4-1/2 to 4-3/4	4-1/2	3/8	Z4366X-STL-USA	3/8	Z4300-STL-USA	Z4374197-USA-1
5 to 5-1/4	5	3/8	Z4368X-STL-USA	3/8	Z4300-STL-USA	Z4374198-USA-1
6 to 6-1/4	6	3/8	Z4369X-STL-USA	3/8	Z4300-STL-USA	Z4374199-USA-1

Sex Bolts

For technical drawings and charts, please see page A-43

Steel

Binding Posts & Screws — Inch



Steel | Black Oxide

Use extensions for additional lengths, see pages D55-D56.

Dimensions and Tolerance Table — Inch

Barrel Diameter	Barrel Thread Size	Head Diameter	Barrel Head Height	Head Style
13/64	8-32	13/32	.050 - .070	Truss



Binding Post Sets

Barrel				Screw		Set				
Length	Dia.	Thread Depth	Barrel Part Number	Length	Screw Part Number	For Material Thickness (min, max)	Head Dia.	Head Height	Thread Size	Steel, Black Oxide Barrel & Screw Set
1/8	13/64	Tapped thru	Z4302X-STL-BLK-USA	3/8	Z4302-STL-BLK-USA	1/8 to 3/16	13/32	1/16	8-32	Z4302XPAK-STL-BLK-USA
3/16	13/64	Tapped thru	Z4303-STL-BLK-USA	3/8	Z4302-STL-BLK-USA	3/16 to 1/4	13/32	1/16	8-32	Z4303PAK-STL-BLK-USA
1/4	13/64	Tapped thru	Z4304-BLK-USA	3/8	Z4302-BLK-USA	1/4 to 3/8	13/32	1/16	8-32	Z4304PAK-STL-BLK-USA
3/8	13/64	1/4	Z4306C-STL-BLK-USA	3/8	Z4302-BLK-USA	3/8 to 7/16	13/32	1/16	8-32	Z4306CPAK-STL-BLK-USA
1/2	13/64	3/8	Z4308-STL-BLK-USA	3/8	Z4300-BLK-USA	1/2 to 3/4	13/32	1/16	8-32	Z4308PAK-STL-BLK-USA
5/8	13/64	3/8	Z4310-STL-BLK-USA	3/8	Z4300-BLK-USA	5/8 to 7/8	13/32	1/16	8-32	Z4310PAK-STL-BLK-USA
3/4	13/64	3/8	Z4312-STL-BLK-USA	3/8	Z4300-BLK-USA	3/4 to 1	13/32	1/16	8-32	Z4312PAK-STL-BLK-USA
1	13/64	3/8	Z4316-STL-BLK-USA	3/8	Z4300-BLK-USA	1 to 1-1/4	13/32	1/16	8-32	Z4316PAK-STL-BLK-USA
1-1/4	13/64	3/8	Z4320-STL-BLK-USA	3/8	Z4300-BLK-USA	1-1/4 to 1-1/2	13/32	1/16	8-32	Z4320PAK-STL-BLK-USA
1-1/2	13/64	3/8	Z4324-STL-BLK-USA	3/8	Z4300-BLK-USA	1-1/2 to 1-3/4	13/32	1/16	8-32	Z4324PAK-STL-BLK-USA
1-3/4	13/64	3/8	Z4328-STL-BLK-USA	3/8	Z4300-BLK-USA	1-3/4 to 2	13/32	1/16	8-32	Z4328PAK-STL-BLK-USA
2	13/64	3/8	Z4332-STL-BLK-USA	3/8	Z4300-BLK-USA	2 to 2-1/4	13/32	1/16	8-32	Z4332PAK-STL-BLK-USA
2-1/4	13/64	3/8	Z4336X-STL-BLK-USA	3/8	Z4300-BLK-USA	2-1/4 to 2-1/2	13/32	1/16	8-32	Z4374191-BLK-USA-1
2-1/2	13/64	3/8	Z4344X-STL-BLK-USA	3/8	Z4300-BLK-USA	2-1/2 to 2-3/4	13/32	1/16	8-32	Z4374192-BLK-USA-1
2-3/4	13/64	3/8	Z4346X-STL-BLK-USA	3/8	Z4300-BLK-USA	2-3/4 to 3	13/32	1/16	8-32	Z4374193-BLK-USA-1
3	13/64	3/8	Z4348X-BLK-USA	3/8	Z4300-BLK-USA	3 to 3-1/4	13/32	1/16	8-32	Z4374194-BLK-USA-1
3-1/2	13/64	3/8	Z4356X-STL-BLK-USA	3/8	Z4300-BLK-USA	3-1/2 to 3-3/4	13/32	1/16	8-32	Z4374195-BLK-USA-1
4	13/64	3/8	Z4364X-STL-BLK-USA	3/8	Z4300-BLK-USA	4 to 4-1/4	13/32	1/16	8-32	Z4374196-BLK-USA-1
4-1/2	13/64	3/8	Z4366X-STL-BLK-USA	3/8	Z4300-BLK-USA	4-1/2 to 4-3/4	13/32	1/16	8-32	Z4374197-BLK-USA-1
5	13/64	3/8	Z4368X-STL-BLK-USA	3/8	Z4300-BLK-USA	5 to 5-1/4	13/32	1/16	8-32	Z4374198-BLK-USA-1
6	13/64	3/8	Z4369X-STL-BLK-USA	3/8	Z4300-BLK-USA	6 to 6-1/4	13/32	1/16	8-32	Z4374199-BLK-USA-1

18-8 SS

For technical drawings and charts, please see page A-43

Binding Posts & Screws — Inch

18-8 Stainless Steel | Plain Finish, Black Oxide



Use extensions for additional lengths, see pages D55-D56.

Dimensions and Tolerance Table — Inch

Barrel Diameter	Barrel Thread Size	Head Diameter	Barrel Head Height	Head Style
13/64	8-32	13/32	.050 - .070	Truss



Binding Posts



Screws for Binding Posts

Barrel Length	Thread Size	Thread Depth	18-8 SS Part Number	18-8 SS, Black Oxide Part Number
1/8	8-32	Tapped Thru	Z4302X-SS-USA	Z4302X-SS-BK-USA
3/16	8-32	Tapped Thru	Z4303-SS-USA	Z4303-SS-BK-USA
1/4	8-32	Tapped Thru	Z4304-SS-USA	Z4304-SS-BK-USA
1/4	8-32	5/32	Z4304C-SS-USA	—
3/8	8-32	1/4	Z4306C-SS-USA	Z4306C-SS-BK-USA
1/2	8-32	5/16	Z4308-SS-USA	Z4308-SS-BK-USA
5/8	8-32	3/8	Z4310-SS-USA	Z4310-SS-BK-USA
3/4	8-32	3/8	Z4312-SS-USA	Z4312-SS-BK-USA
7/8	8-32	3/8	Z4314X-SS-USA	Z4314X-SS-BK-USA
1	8-32	3/8	Z4316-SS-USA	Z4316-SS-BK-USA
1-1/4	8-32	3/8	Z4320-SS-USA	Z4320-SS-BK-USA
1-1/2	8-32	3/8	Z4324-SS-USA	Z4324-SS-BK-USA
1-3/4	8-32	3/8	Z4328-SS-USA	Z4328-SS-BK-USA
2	8-32	3/8	Z4332X-SS-USA	Z4332X-SS-BK-USA
2-1/4	8-32	3/8	Z4336X-SS-USA	Z4336X-SS-BK-USA
2-1/2	8-32	3/8	Z4344X-SS-USA	Z4344X-SS-BK-USA
2-3/4	8-32	3/8	Z4346X-SS-USA	Z4346X-SS-BK-USA
3	8-32	3/8	Z4348X-SS-USA	Z4348X-SS-BK-USA
3-1/2	8-32	3/8	Z4358X-SS-USA	Z4358X-SS-BK-USA
4	8-32	3/8	Z4364X-SS-USA	Z4364X-SS-BK-USA
4-1/2	8-32	3/8	Z4366X-SS-USA	Z4366X-SS-BK-USA
5	8-32	3/8	Z4368X-SS-USA	Z4368X-SS-BK-USA
6	8-32	3/8	Z4396X-SS-USA	Z4396X-SS-BK-USA

Screw Size	Head Height	Head Dia.	18-8 SS Part Number	18-8 SS, Black Oxide Part Number
8-32 x 3/16	.050 - .070	13/32	Z4302-SS-USA	Z4302-SS-BK-USA
8-32 x 1/4	.050 - .070	13/32	Z4301-SS-USA	Z4301-SS-BK-USA
8-32 x 3/8	.050 - .070	13/32	Z4300-SS-USA	Z4300-SS-BK-USA

Binding Post Assortment Kit



- 240 total pieces
- (120) 8-32 x 3/8" screw
- (40) 13/64 x 1/2" post
- (30) 13/64 x 3/4" post
- (26) 13/64 x 1-1/4" post
- (14) 13/64 x 2" post
- (10) 13/64 x 3" post

18-8 SS Part Number
Z4196

Sex Bolts

For technical drawings and charts, please see page A-43

18-8 SS

Binding Posts & Screws Sets — Inch



Dimensions and Tolerance Table — Inch

18-8 Stainless Steel | Plain Finish, Black Oxide

Use extensions for additional lengths, see pages D55-D56.

Barrel Diameter	Barrel Thread Size	Head Diameter	Barrel Head Height	Head Style
13/64	8-32	13/32	.050 - .070	Truss



Binding Post Sets

Barrel				Screw				Set	
Lg.	Thread Depth	18-8 SS. Barrel Part Number	18-8 SS Black Ox. Barrel Part Number	Lg.	18-8 SS Screw Part Number	18-8 SS, Black Ox. Screw Part Number	For Material Thickness (min, max)	18-8 SS Set Part Number	18-8 SS Black Ox. Set Part Number
1/8	Thru	Z4302X-SS-USA	Z4302X-SS-BK-USA	3/16	Z4302-SS-USA	Z4302-SS-BK-USA	1/8 to 3/16	Z4374050-USA	Z4374050-USA-BLACKOX-1
3/16	Thru	Z4303-SS-USA	Z4303-SS-BK-USA	3/16	Z4302-SS-USA	Z4302-SS-BK-USA	3/16 to 1/4	Z4374051-USA	Z4374051-USA-BLACKOX-1
1/4	Thru	Z4304-SS-USA	Z4304-SS-BK-USA	1/4	Z4301-SS-USA	Z4301-SS-BK-USA	1/4 to 3/8	Z4374052-USA	Z4374052-USA-BLACKOX-1
3/8	1/4	Z4306C-SS-USA	Z4306C-SS-BK-USA	3/8	Z4300-SS-USA	Z4300-SS-BK-USA	3/8 to 7/16	Z4374053-USA	Z4374053-USA-BLACKOX-1
1/2	5/16	Z4308-SS-USA	Z4308-SS-BK-USA	3/8	Z4300-SS-USA	Z4300-SS-BK-USA	1/2 to 3/4	Z4374054-USA	Z4374054-USA-BLACKOX-1
5/8	3/8	Z4310-SS-USA	Z4310-SS-BK-USA	3/8	Z4300-SS-USA	Z4300-SS-BK-USA	5/8 to 7/8	Z4374055-USA	Z4374055-USA-BLACKOX-1
3/4	3/8	Z4312-SS-USA	Z4312-SS-BK-USA	3/8	Z4300-SS-USA	Z4300-SS-BK-USA	3/4 to 1	Z4374056-USA	Z4374056-USA-BLACKOX-1
1	3/8	Z4316-SS-USA	Z4316-SS-BK-USA	3/8	Z4300-SS-USA	Z4300-SS-BK-USA	1 to 1-1/4	Z4374057-USA	Z4374057-USA-BLACKOX-1
1-1/4	3/8	Z4320-SS-USA	Z4320-SS-BK-USA	3/8	Z4300-SS-USA	Z4300-SS-BK-USA	1-1/4 to 1-1/2	Z4374058-USA	Z4374058-USA-BLACKOX-1
1-1/2	3/8	Z4324-SS-USA	Z4324-SS-BK-USA	3/8	Z4300-SS-USA	Z4300-SS-BK-USA	1-1/2 to 1-3/4	Z4374059-USA	Z4374059-USA-BLACKOX-1
1-3/4	3/8	Z4328-SS-USA	Z4328-SS-BK-USA	3/8	Z4300-SS-USA	Z4300-SS-BK-USA	1-3/4 to 2	Z4374060-USA	Z4374060-USA-BLACKOX-1
2	3/8	Z4332X-SS-USA	Z4332X-SS-BK-USA	3/8	Z4300-SS-USA	Z4300-SS-BK-USA	2 to 2-1/4	Z4374105-USA	Z4374105-USA-BLACKOX-1
2-1/4	3/8	Z4336X-SS-USA	Z4336X-SS-BK-USA	3/8	Z4300-SS-USA	Z4300-SS-BK-USA	2-1/4 to 2-1/2	Z4374106-USA	Z4374106-USA-BLACKOX-1
2-1/2	3/8	Z4344X-SS-USA	Z4344X-SS-BK-USA	3/8	Z4300-SS-USA	Z4300-SS-BK-USA	2-1/2 to 2-3/4	Z4374107-USA	Z4374107-USA-BLACKOX-1
2-3/4	3/8	Z4346X-SS-USA	Z4346X-SS-BK-USA	3/8	Z4300-SS-USA	Z4300-SS-BK-USA	2-3/4 to 3	Z4374108-USA	Z4374108-USA-BLACKOX-1
3	3/8	Z4348X-SS-USA	Z4348X-SS-BK-USA	3/8	Z4300-SS-USA	Z4300-SS-BK-USA	3 to 3-1/4	Z4374109-USA	Z4374109-USA-BLACKOX-1
3-1/2	3/8	Z4356X-SS-USA	Z4356X-SS-BK-USA	3/8	Z4300-SS-USA	Z4300-SS-BK-USA	3-1/2 to 3-3/4	Z4374110-USA	Z4374110-USA-BLACKOX-1
4	3/8	Z4364X-SS-USA	Z4364X-SS-BK-USA	3/8	Z4300-SS-USA	Z4300-SS-BK-USA	4 to 4-1/4	Z4374111-USA	Z4374111-USA-BLACKOX-1
4-1/2	3/8	Z4372X-SS-USA	Z4372X-SS-BK-USA	3/8	Z4300-SS-USA	Z4300-SS-BK-USA	4-1/2 to 4-3/4	Z4374112-USA	Z4374112-USA-BLACKOX-1
5	3/8	Z4380X-SS-USA	Z4380X-SS-BK-USA	3/8	Z4300-SS-USA	Z4300-SS-BK-USA	5 to 5-1/4	Z4374113-USA	Z4374113-USA-BLACKOX-1
6	3/8	Z4396X-SS-USA	Z4396X-SS-BK-USA	3/8	Z4300-SS-USA	Z4300-SS-BK-USA	6 to 6-1/4	Z4374114-USA	Z4374114-USA-BLACKOX-1

Binding Posts & Screws — Inch

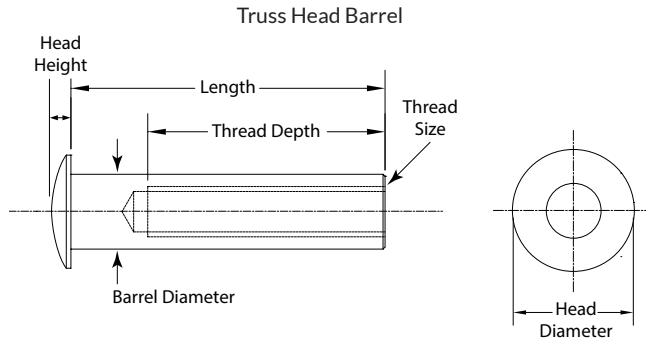


316 Stainless Steel | Plain Finish

Use extensions for additional lengths, see pages D55-D56.

Dimensions and Tolerance Table — Inch

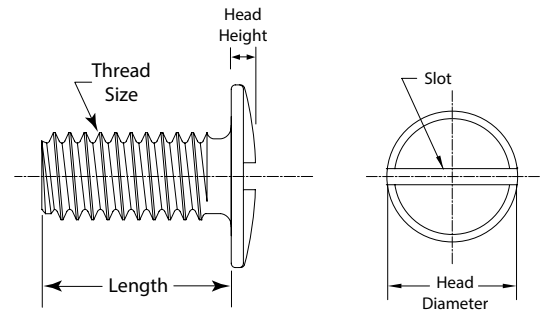
Barrel Diameter	Barrel Thread Size	Head Diameter	Barrel Head Height	Head Style
13/64	8-32	13/32	.050 - .070	Truss



Binding Posts

Barrel Length	Thread Size	Thread Depth	316 SS Part Number
1/8	8-32	Tapped Thru	Z4302X-316-USA
3/16	8-32	Tapped Thru	Z4303-316-USA
1/4	8-32	Tapped Thru	Z4304-316-USA
3/8	8-32	1/4	Z4306C-316-USA
1/2	8-32	5/16	Z4308-316-USA
5/8	8-32	3/8	Z4310-316-USA
3/4	8-32	3/8	Z4312-316-USA
1	8-32	3/8	Z4316-316-USA
1-1/4	8-32	3/8	Z4320-316-USA
1-1/2	8-32	3/8	Z4324-316-USA
1-3/4	8-32	3/8	Z4328-316-USA
2	8-32	3/8	Z4332X-316-USA
2-1/4	8-32	3/8	Z4336X-316-USA
2-1/2	8-32	3/8	Z4344X-316-USA
2-3/4	8-32	3/8	Z4346X-316-USA
3	8-32	3/8	Z4348X-316-USA
3-1/2	8-32	3/8	Z4356X-316-USA
4	8-32	3/8	Z4364X-316-USA
4-1/2	8-32	3/8	Z4372X-316-USA
5	8-32	3/8	Z4368X-316-USA
6	8-32	3/8	Z4396X-316-USA

Slotted Truss Head Screw



Screws for Binding Posts

Screw Size	Head Height	Head Dia.	316 SS Part Number
8-32 x 3/16	.050 - .070	13/32	Z4302-316-USA
8-32 x 1/4	.050 - .070	13/32	Z4301-316-USA
8-32 x 3/8	.050 - .070	13/32	Z4300-316-USA

Sex Bolts

For technical drawings and charts, please see page A-43

316 SS

Binding Post & Screws — Inch



316 Stainless Steel | Plain Finish

Use extensions for additional lengths, see pages D55-D56.

Dimensions and Tolerance Table — Inch

Barrel Diameter	Barrel Thread Size	Head Diameter	Barrel Head Height	Head Style
13/64	8-32	13/32	.050 - .070	Truss



Binding Post Sets

Barrel				Screw		Set			
Length	Dia.	Thread Depth	Barrel Part Number	Length	Screw Part Number	For Material Thickness (min, max)	Head Dia.	Head Height	316 SS Barrel & Screw Set
1/8	13/64	Thru	Z4302X-316-USA	3/16	Z4302-316-USA	1/8 to 3/16	13/32	1/16	Z4374170-USA-1*
3/16	13/64	Thru	Z4303-316-USA	3/16	Z4302-316-USA	3/16 to 1/4	13/32	1/16	Z4374171-USA-1*
1/4	13/64	Thru	Z4304-316-USA	1/4	Z4301-316-USA	1/4 to 3/8	13/32	1/16	Z4374172-USA-1*
3/8	13/64	1/4	Z4306C-316-USA	3/8	Z4300-316-USA	3/8 to 7/16	13/32	1/16	Z4374173-USA-1
1/2	13/64	5/16	Z4308-316-USA	3/8	Z4300-316-USA	1/2 to 3/4	13/32	1/16	Z4374174-USA-1
5/8	13/64	3/8	Z4310-316-USA	3/8	Z4300-316-USA	5/8 to 7/8	13/32	1/16	Z4374175-USA-1
3/4	13/64	3/8	Z4312-316-USA	3/8	Z4300-316-USA	3/4 to 1	13/32	1/16	Z4374176-USA-1
1	13/64	3/8	Z4316-316-USA	3/8	Z4300-316-USA	1 to 1-1/4	13/32	1/16	Z4374177-USA-1
1-1/4	13/64	3/8	Z4320-316-USA	3/8	Z4300-316-USA	1-1/4 to 1-1/2	13/32	1/16	Z4374178-USA-1
1-1/2	13/64	3/8	Z4324-316-USA	3/8	Z4300-316-USA	1-1/2 to 1-3/4	13/32	1/16	Z4374179-USA-1
1-3/4	13/64	3/8	Z4328-316-USA	3/8	Z4300-316-USA	1-3/4 to 2	13/32	1/16	Z4374180-USA-1
2	13/64	3/8	Z4332X-316-USA	3/8	Z4300-316-USA	2 to 2-1/4	13/32	1/16	Z4374181-USA-1
2-1/4	13/64	3/8	Z4336X-316-USA	3/8	Z4300-316-USA	2-1/4 to 2-1/2	13/32	1/16	Z4374182-USA-1
2-1/2	13/64	3/8	Z4344X-316-USA	3/8	Z4300-316-USA	2-1/2 to 2-3/4	13/32	1/16	Z4374183-USA-1
2-3/4	13/64	3/8	Z4346X-316-USA	3/8	Z4300-316-USA	2-3/4 to 3	13/32	1/16	Z4374184-USA-1
3	13/64	3/8	Z4348X-316-USA	3/8	Z4300-316-USA	3 to 3-1/4	13/32	1/16	Z4374185-USA-1
3-1/2	13/64	3/8	Z4356X-316-USA	3/8	Z4300-316-USA	3-1/2 to 3-3/4	13/32	1/16	Z4374186-USA-1
4	13/64	3/8	Z4364X-316-USA	3/8	Z4300-316-USA	4 to 4-1/4	13/32	1/16	Z4374187-USA-1
4-1/2	13/64	3/8	Z4372X-316-USA	3/8	Z4300-316-USA	4-1/2 to 4-3/4	13/32	1/16	Z4374188-USA-1
5	13/64	3/8	Z4368X-316-USA	3/8	Z4300-316-USA	5 to 5-1/4	13/32	1/16	Z4374189-USA-1
6	13/64	3/8	Z4396X-316-USA	3/8	Z4300-316-USA	6 to 6-1/4	13/32	1/16	Z4374190-USA-1

*Open Barrel

Binding Posts & Screws — Inch



Brass | Plain

Use extensions for additional lengths, see pages D55-D56.



Binding Posts

Length	Thread Size	Thread Depth	Brass Part Number
1/8	8-32	Tapped Thru*	Z4302X-BR-USA
3/16	8-32	Tapped Thru*	Z4303-BR-USA
1/4	8-32	Tapped Thru*	Z4304-BR-USA
3/8	8-32	Tapped Thru*	Z4306X-BR-USA
1/4	8-32	5/32	Z4304C-BR-USA
3/8	8-32	1/4	Z4306-BR-USA
1/2	8-32	5/16	Z4308-BR-USA
5/8	8-32	3/8	Z4310-BR-USA
3/4	8-32	3/8	Z4312-BR-USA
7/8	8-32	3/8	Z4314X-BR-USA
1	8-32	3/8	Z4316-BR-USA
1-1/4	8-32	3/8	Z4320X-BR-USA
1-1/2	8-32	3/8	Z4324X-BR-USA
1-3/4	8-32	3/8	Z4328X-BR-USA
2	8-32	3/8	Z4332X-BR-USA
2-1/4	8-32	3/8	Z4336X-BR-USA
2-1/2	8-32	3/8	Z4344X-BR-USA
2-3/4	8-32	3/8	Z4346X-BR-USA
3	8-32	3/8	Z4348X-BR-USA
3-1/2	8-32	3/8	Z4358X-BR-USA
4	8-32	3/8	Z4364X-BR-USA
4-1/2	8-32	3/8	Z4366X-BR-USA
5	8-32	3/8	Z4368X-BR-USA
6	8-32	3/8	Z4396X-BR-USA



Screws for Binding Posts

Screw Size	Head Height	Head Dia.	Brass Part Number
8-32 x 1/4	.050 - .070	13/32	Z4301-BR-USA
8-32 x 5/16	.050 - .070	13/32	Z4300-BR-USA

*Tapped Thru Head

Dimensions and Tolerance Table — Inch

Barrel Diameter	Barrel Thread Size	Head Diameter	Barrel Head Height	Head Style
13/64	8-32	13/32	.050 - .070	Truss



Binding Post Sets

Grip Range	Barrel Length	Barrel P/N	Screw P/N	Brass Set Part Number
1/8 to 3/16	1/8	Z4302X-BR-USA	Z4301-BR-USA	Z4374000-USA*
3/16 to 1/4	3/16	Z4303-BR-USA	Z4301-BR-USA	Z4374001-USA*
1/4 to 3/8	1/4	Z4304-BR-USA	Z4301-BR-USA	Z4374002-USA*
3/8 to 5/8	3/8	Z4306-BR-USA	Z4300-BR-USA	Z4374003-USA
1/2 to 3/4	1/2	Z4308-BR-USA	Z4300-BR-USA	Z4374004-USA
5/8 to 7/8	5/8	Z4310-BR-USA	Z4300-BR-USA	Z4374120-USA
3/4 to 1	3/4	Z4312-BR-USA	Z4300-BR-USA	Z4374005-USA
7/8 to 1	7/8	Z4314X-BR-USA	Z4300-BR-USA	Z4374121-USA
1 to 1-1/4	1	Z4316-BR-USA	Z4300-BR-USA	Z4374006-USA
1-1/4 to 1-1/2	1-1/4	Z4320X-BR-USA	Z4300-BR-USA	Z4374122-USA
1-1/2 to 1-3/4	1-1/2	Z4324X-BR-USA	Z4300-BR-USA	Z4374123-USA
1-3/4 to 2	1-3/4	Z4328X-BR-USA	Z4300-BR-USA	Z4374124-USA
2 to 2-1/4	2	Z4332X-BR-USA	Z4300-BR-USA	Z4374125-USA
2-1/4 to 2-1/2	2-1/4	Z4336X-BR-USA	Z4300-BR-USA	Z4374126-USA
2-1/2 to 2-3/4	2-1/2	Z4344X-BR-USA	Z4300-BR-USA	Z4374127-USA
2-3/4 to 3	2-3/4	Z4346X-BR-USA	Z4300-BR-USA	Z4374128-USA
3 to 3-1/4	3	Z4348X-BR-USA	Z4300-BR-USA	Z4374129-USA
3-1/2 to 3-3/4	3-1/2	Z4358X-BR-USA	Z4300-BR-USA	Z4374130-USA
4 to 4-1/4	4	Z4364X-BR-USA	Z4300-BR-USA	Z4374131-USA
4-1/2 to 4-3/4	4-1/2	Z4366X-BR-USA	Z4300-BR-USA	Z4374132-USA
5 to 5-1/4	5	Z4368X-BR-USA	Z4300-BR-USA	Z4374133-USA
6 to 6-1/4	6	Z4396X-BR-USA	Z4300-BR-USA	Z4374134-USA

Binding Post Assortment Kit

Brass Part Number

Z4197



- 240 total pieces
- (120) 8-32 x 3/8" screw
- (40) 13/64 x 1/2" post
- (30) 13/64 x 3/4" post
- (26) 13/64 x 1-1/4" post
- (14) 13/64 x 2" post
- (10) 13/64 x 3" post

Sex Bolts

For technical drawings and charts, please see page A-43

Copper

Binding Posts & Screws — Inch



Copper | Plain Finish

Use extensions for additional lengths, see pages D55-D56.

Dimensions and Tolerance Table — Inch

Barrel Diameter	Barrel Thread Size	Head Diameter	Barrel Head Height	Head Style
13/64	8-32	13/32	.050 - .070	Truss



Binding Posts

Length	Thread Size	Thread Depth	Copper Part Number
1/4	8-32	Thru*	Z4304-CU-USA
3/8	8-32	1/4	Z4306C-CU-USA
1/2	8-32	5/16	Z4308-CU-USA
5/8	8-32	3/8	Z4310-CU-USA
3/4	8-32	3/8	Z4312-CU-USA
1	8-32	3/8	Z4316-CU-USA
1-1/4	8-32	3/8	Z4320-CU-USA
1-1/2	8-32	3/8	Z4324-CU-USA
1-3/4	8-32	3/8	Z4328-CU-USA
2	8-32	3/8	Z4332-CU-USA
2-1/4	8-32	3/8	Z4336X-CU-USA
2-1/2	8-32	3/8	Z4344X-CU-USA
2-3/4	8-32	3/8	Z4346X-CU-USA
3	8-32	3/8	Z4348X-CU-USA
3-1/2	8-32	3/8	Z4358X-CU-USA
4	8-32	3/8	Z4364X-CU-USA
4-1/2	8-32	3/8	Z4366X-CU-USA
5	8-32	3/8	Z4368X-CU-USA
6	8-32	3/8	Z4396X-CU-USA



Screws for Binding Posts

Screw Size	Head Height	Head Diameter	Copper Part Number
8-32 x 3/16	.040 - .070	13/32	Z4302-CU-USA
8-32 x 1/4	.040 - .070	13/32	Z4301-CU-USA
8-32 x 3/8	.040 - .070	13/32	Z4300-CU-USA



Binding Post Sets

Grip Range	Barrel Length	Barrel Part Number	Screw Part Number	Copper Barrel & Screw Set
1/4 to 3/8	1/4	Z4304-CU-USA*	Z4302-CU-USA	Z4374140-USA-1*
3/8 to 1/2	3/8	Z4306C-CU-USA	Z4300-CU-USA	Z4374141-USA-1
1/2 to 3/4	1/2	Z4308-CU-USA	Z4300-CU-USA	Z4374142-USA-1
5/8 to 7/8	5/8	Z4310-CU-USA	Z4300-CU-USA	Z4374143-USA-1
3/4 to 1	3/4	Z4312-CU-USA	Z4300-CU-USA	Z4374144-USA-1
1 to 1-1/4	1	Z4316-CU-USA	Z4300-CU-USA	Z4374145-USA-1
1-1/4 to 1-1/2	1-1/4	Z4320-CU-USA	Z4300-CU-USA	Z4374146-USA-1
1-1/2 to 1-3/4	1-1/2	Z4324-CU-USA	Z4300-CU-USA	Z4374147-USA-1
1-3/4 to 2	1-3/4	Z4328-CU-USA	Z4300-CU-USA	Z4374148-USA-1
2 to 2-1/4	2	Z4332-CU-USA	Z4300-CU-USA	Z4374149-USA-1
2-1/4 to 2-1/2	2-1/4	Z4336X-CU-USA	Z4300-CU-USA	Z4375001-USA-1
2-1/2 to 2-3/4	2-1/2	Z4344X-CU-USA	Z4300-CU-USA	Z4375002-USA-1
2-3/4 to 3	2-3/4	Z4346X-CU-USA	Z4300-CU-USA	Z4375003-USA-1
3 to 3-1/4	3	Z4348X-CU-USA	Z4300-CU-USA	Z4375004-USA-1
3-1/2 to 3-3/4	3-1/2	Z4358X-CU-USA	Z4300-CU-USA	Z4375005-USA-1
4 to 4-1/4	4	Z4364X-CU-USA	Z4300-CU-USA	Z4375006-USA-1
4-1/2 to 4-3/4	4-1/2	Z4366X-CU-USA	Z4300-CU-USA	Z4375007-USA-1
5 to 5-1/4	5	Z4368X-CU-USA	Z4300-CU-USA	Z4375008-USA-1
6 to 6-3/8	6	Z4396X-CU-USA	Z4300-CU-USA	Z4375009-USA-1

*Tapped Thru Head

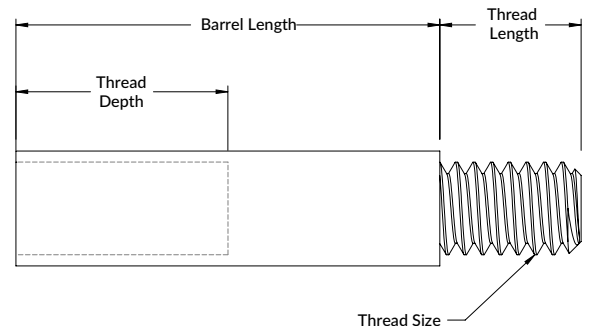
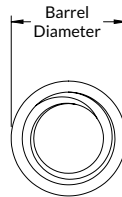
Aluminum
Steel

Binding Post Extensions – Inch

AMPG's Binding Post Extension can be used to extend the length of any binding post. Thread size is 8-32 UNC with 13/64 Barrel Diameter.

Materials and finishes offered in:

- Aluminum | Plain Finish, Black Anodized
- Steel | Zinc-Plated Finish
- 18-8 Stainless Steel | Black Oxide, Plain Finish
- 316 Stainless Steel | Plain Finish
- Brass | Plain Finish



Dimensions and Tolerance Table – Inch

Thread Size	Barrel Dia.	Thread Type	Thread Direction
8-32	13/64	UNC	Right

Aluminum | Plain Finish, Black Anodized
Steel | Zinc-Plated Finish



Barrel Length	Thread Depth	Thread Length	Aluminum Part Number	Aluminum, Black Anodized Part Number
1/4	3/16	1/8	Z4370	Z4370-ALBLK-USA
5/16	3/16	1/8	Z4280-USA	Z4280-ALBLK-USA
3/8	1/4	3/16	Z4281-USA	Z4281-ALBLK-USA
1/2	3/8	1/4	Z4371	Z4371-ALBLK-USA
5/8	3/8	1/4	Z4282-USA	Z4282-ALBLK-USA
3/4	3/8	1/4	Z4372	Z4372-ALBLK-USA
7/8	3/8	1/4	Z4283-USA	Z4283-ALBLK-USA
1	3/8	1/4	Z4373	Z4373-ALBLK-USA
1-1/8	3/8	1/4	Z4284-USA	Z4284-ALBLK-USA
1-1/4	3/8	1/4	Z4285-USA	Z4285-ALBLK-USA
1-3/8	3/8	1/4	Z4286-USA	Z4286-ALBLK-USA
1-1/2	1/2	1/4	Z4287-USA	Z4287-ALBLK-USA
1-5/8	1/2	1/4	Z4288-USA	Z4288-ALBLK-USA
1-3/4	1/2	1/4	Z4289-USA	Z4289-ALBLK-USA
1-7/8	1/2	1/4	Z4290-USA	Z4290-ALBLK-USA
2	1/2	1/4	Z4291-USA	Z4291-ALBLK-USA

Barrel Length	Thread Depth	Thread Lg.	AMPG Steel, Zinc Part Number
1/4	3/16	1/8	Z4370-STLZC-USA
5/16	3/16	1/8	Z4280-STLZC-USA
3/8	1/4	3/16	Z4281-STLZC-USA
1/2	3/8	1/4	Z4371-STLZC-USA
5/8	3/8	1/4	Z4282-STLZC-USA
3/4	3/8	1/4	Z4372-STLZC-USA
7/8	3/8	1/4	Z4283-STLZC-USA
1	3/8	1/4	Z4373-STLZC-USA
1-1/8	3/8	1/4	Z4284-STLZC-USA
1-1/4	3/8	1/4	Z4285-STLZC-USA
1-3/8	3/8	1/4	Z4286-STLZC-USA
1-1/2	1/2	1/4	Z4287-STLZC-USA
1-5/8	1/2	1/4	Z4288-STLZC-USA
1-3/4	1/2	1/4	Z4289-STLZC-USA
1-7/8	1/2	1/4	Z4290-STLZC-USA
2	1/2	1/4	Z4291-STLZC-USA

Sex Bolts

For technical drawings and charts, please see page A-55

18-8 SS, 316 SS,
Brass

Binding Post Extensions — Inch



18-8 SS | Plain Finish, Black Oxide
316 | Plain Finish



Dimensions and Tolerance Table

Barrel Dia.	Thread Size	Thread Type	Thread Direction
13/64	8-32	UNC	Right

Barrel Length	Thread Depth	Thread Lg.	AMPG 18-8 SS Part Number	AMPG 18-8 SS, Black Oxide Part Number
1/4	3/16	1/8	Z4370-SS-USA	Z4370-SS-BLK-USA
5/16	3/16	1/8	Z4280-SS-USA	Z4280-SS-BLK-USA
3/8	1/4	3/16	Z4281-SS-USA	Z4281-SS-BLK-USA
1/2	3/8	1/4	Z4371-SS-USA	Z4371-SS-BLK-USA
5/8	3/8	1/4	Z4282-SS-USA	Z4282-SS-BLK-USA
3/4	3/8	1/4	Z4372-SS-USA	Z4372-SS-BLK-USA
7/8	3/8	1/4	Z4283-SS-USA	Z4283-SS-BLK-USA
1	3/8	1/4	Z4373-SS-USA	Z4373-SS-BLK-USA
1-1/8	3/8	1/4	Z4284-SS-USA	Z4284-SS-BLK-USA
1-1/4	3/8	1/4	Z4285-SS-USA	Z4285-SS-BLK-USA
1-3/8	3/8	1/4	Z4286-SS-USA	Z4286-SS-BLK-USA
1-1/2	1/2	1/4	Z4287-SS-USA	Z4287-SS-BLK-USA
1-5/8	1/2	1/4	Z4288-SS-USA	Z4288-SS-BLK-USA
1-3/4	1/2	1/4	Z4289-SS-USA	Z4289-SS-BLK-USA
1-7/8	1/2	1/4	Z4290-SS-USA	Z4290-SS-BLK-USA
2	1/2	1/4	Z4291-SS-USA	Z4291-SS-BLK-USA

Barrel Length	Thread Depth	Thread Lg.	AMPG 316 SS Part Number
1/4	3/16	1/8	Z4370-316-USA
5/16	3/16	1/8	Z4280-316-USA
3/8	1/4	3/16	Z4281-316-USA
1/2	3/8	1/4	Z4371-316-USA
5/8	3/8	1/4	Z4282-316-USA
3/4	3/8	1/4	Z4372-316-USA
7/8	3/8	1/4	Z4283-316-USA
1	3/8	1/4	Z4373-316-USA
1-1/8	3/8	1/4	Z4284-316-USA
1-1/4	3/8	1/4	Z4285-316-USA
1-3/8	3/8	1/4	Z4286-316-USA
1-1/2	1/2	1/4	Z4287-316-USA
1-5/8	1/2	1/4	Z4288-316-USA
1-3/4	1/2	1/4	Z4289-316-USA
1-7/8	1/2	1/4	Z4290-316-USA
2	1/2	1/4	Z4291-316-USA

Brass | Plain Finish



Barrel Length	Thread Depth	Thread Lg.	AMPG Brass Part Number
1/4	3/16	1/8	Z4370-BRASS-USA
5/16	3/16	1/8	Z4280-BRASS-USA
3/8	1/4	3/16	Z4281-BRASS-USA
1/2	3/8	1/4	Z4371-BRASS-USA
5/8	3/8	1/4	Z4282-BRASS-USA
3/4	3/8	1/4	Z4372-BRASS-USA
7/8	3/8	1/4	Z4283-BRASS-USA
1	3/8	1/4	Z4373-BRASS-USA
1-1/8	3/8	1/4	Z4284-BRASS-USA
1-1/4	3/8	1/4	Z4285-BRASS-USA
1-3/8	3/8	1/4	Z4286-BRASS-USA
1-1/2	1/2	1/4	Z4287-BRASS-USA
1-5/8	1/2	1/4	Z4288-BRASS-USA
1-3/4	1/2	1/4	Z4289-BRASS-USA
1-7/8	1/2	1/4	Z4290-BRASS-USA
2	1/2	1/4	Z4291-BRASS-USA

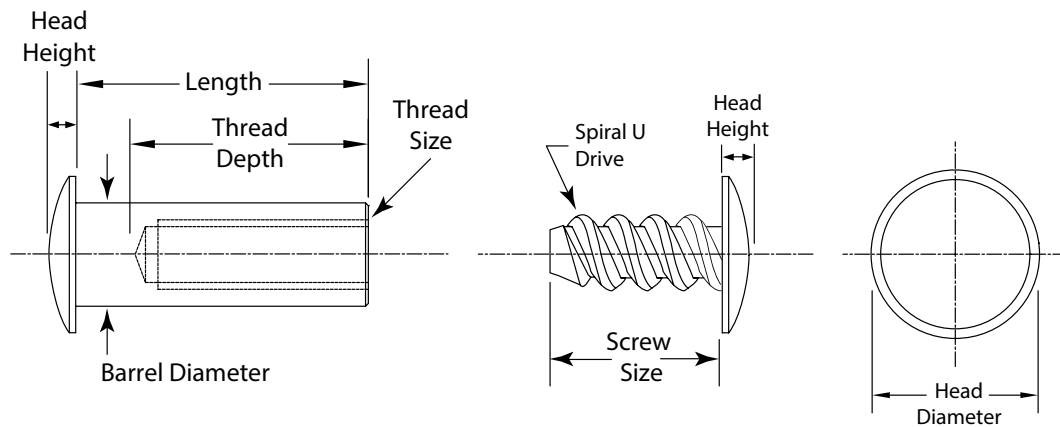
Aluminum

Permanent Drive Cap Set — Inch

Aluminum female barrel with permanent drive screw in steel with Nickel Plating. There is no slot as these are tapped in and cannot be unscrewed for a secure installation. Screw thread type is a spiral U Drive for permanent installation.

Materials and finishes offered in:

- Aluminum | Plain Finish



Dimensions and Tolerance Table — Inch

Barrel Diameter	Barrel Thread Size	Barrel Head Diameter	Screw Head Diameter	Barrel Head Height	Screw Head Height	Screw Length	Drive
13/64	13/64	13/32	3/8	1/16	13/32	3/8	None



Permanent Drive Cap Set

Female Barrel Lg	Grip Range	Thread Depth	Barrel Part Number	Screw Part Number	Quantity	Set Part Number
3/8	3/8	Thru	Z4306X	Z4684	50	Z4306XCAP*
1/2	1/2	3/8	Z4308	Z4684	50	Z4308CAP
5/8	5/8	3/8	Z4310	Z4684	50	Z4310CAP
3/4	3/4	3/8	Z4312	Z4684	50	Z4312CAP
7/8	7/8	3/8	Z4314X	Z4684	50	Z4314XCAP
1	1	3/8	Z4316X	Z4684	25	Z4316XCAP
1-1/4	1-1/4	3/8	Z4320	Z4684	25	Z4320CAP
1-1/2	1-1/2	3/8	Z4324	Z4684	25	Z4324CAP
1-3/4	1-3/4	3/8	Z4328	Z4684	25	Z4328CAP
2	2	3/8	Z4332	Z4684	25	Z4332CAP

Permanent Drive Cap Screws

Screw Size	Part Number
3/8	Z4684

*Tapped Thru Head

Sex Bolts

For technical drawings and charts, please see page A-43

Plastic

Binding Posts & Screws — Inch Plastic | Black Finish, White Finish

*This line has a limited supply and items will be discontinued after they are out of stock

LIMITED SUPPLY



Binding Posts

Barrel Length	Barrel Dia.	Head Height	Thread Size	Black Plastic Part Number	White Plastic Part Number
1/4	.240	.100	No Threads	Z4200	Z4209
3/8	.240	.100	No Threads	Z4201	Z4210
1/2	.240	.100	No Threads	Z4202	Z4211
3/4	.240	.100	No Threads	Z4203	Z4212
7/8	.240	.100	No Threads	Z4204	—
1	.240	.100	No Threads	Z4205	—
1-1/4	.240	.100	No Threads	Z4206	—
1-1/2	.240	.100	No Threads	Z4207	—
2	.240	.100	No Threads	Z4208	—



Binding Posts | Friction Fit

Length	Head Dia.	Thread Size	Plastic Part Number
1/2	25/64	No Threads	Z4670
5/8	25/64	No Threads	Z4671
3/4	25/64	No Threads	Z4672
1	25/64	No Threads	Z4673
1-1/4	25/64	No Threads	Z4674
1-1/2	25/64	No Threads	Z4675
1-3/4	25/64	No Threads	Z4676
2	25/64	No Threads	Z4677
2-1/4	25/64	No Threads	Z4678
2-1/2	27/64	No Threads	Z4679
3-1/4	27/64	No Threads	Z4680
4	27/64	No Threads	Z4681



Screws for Binding Posts

Screw Size	Head Dia.	Head Height	Black Plastic Part Number	White Plastic Part Number
10-24 x 3/16	3/8	.100	Z4219	Z4218



Removable Slotted Binding Head Screw

Head Height	Plastic Part Number
7/64	Z4683



Permanent Unslotted Flat Head Screw

Head Height	Plastic Part Number
.075	Z4682



Binding Post Sets

Barrel Length	Grip Range	Barrel Dia.	Thread Size	Barrel Part Number	Screw Part Number	Black Plastic Set Part Number
1/2	1/2	15/64	10-24	Z4202	Z4219	Z4202SET
3/4	3/4	15/64	10-24	Z4203	Z4219	Z4203SET
1	1	15/64	10-24	Z4205	Z4219	Z4205SET
1-1/4	1-1/4	15/64	10-24	Z4206	Z4219	Z4206SET
1-1/2	1-1/2	15/64	10-24	Z4207	Z4219	Z4207SET
2	2	15/64	10-24	Z4208	Z4219	Z4208SET



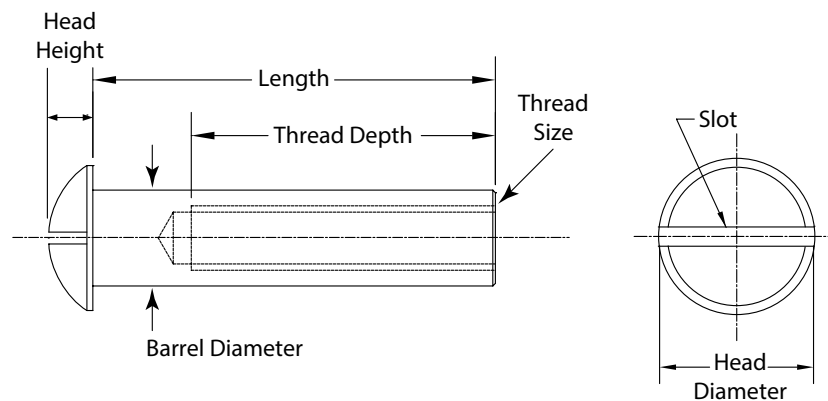
Slotted Truss Head Drive Barrels – Inch

When combining a slotted barrel with a screw, this mating fastener sometimes referred to as a threaded rivet and a rivet nut, is designed to clamp material between the head of the barrel and the head of the screw, or to bridge the gap between two parts, like going through a hollow panel.

A slotted barrel has a truss style head which is a wider and lower version of a round head. A truss head distributes holding pressure to reduce the likelihood of crushing thin and softer materials and provides more bearing surface for improved holding power. Barrel length is measured from under the head. Under the head/flange is smooth.

Materials and finishes offered in:

- Aluminium | Plain Finish
- Steel | Zinc Plated, Brass Plated, Black Oxide,
- 18-8 Stainless Steel | Plain Finish
- 316 Stainless Steel | Plain Finish, Black Oxide
- Brass | Plain Finish, Chrome Plated



Aluminum | Plain Finish



Barrel Diameter	Barrel Length	Thread Size	Thread Depth	Head Diameter	Head Height	Aluminum Part Number
3/8	1/4	1/4-20	3/16	9/16	1/8	Z4842
	7/8	1/4-20	9/16	9/16	1/8	Z4844

Sex Bolts

For technical drawings and charts, please see page A-59

Brass, Steel,
Aluminum



Slotted Truss Head Barrels – Inch

Steel | Zinc Plated, Brass Plated and Black Oxide



Barrel Diameter	Barrel Length	Thread Size	Thread Depth	Head Diameter	Head Height	Steel, Zinc Part Number
13/64	3/8	8-32	1/4	7/16	9/64	Z4560-ZN
	1/4	8-32	.200	3/8	1/8	Z4500
1/4	1/2	8-32	1/4	3/8	1/8	Z4505
	3/4	8-32	1/2	3/8	1/8	Z4510
	1	8-32	1/2	3/8	1/8	Z4520
5/16	5/8	1/4-20	1/2	1/2	9/64	Z4552
	3/4	10-32	1/2	7/16	9/64	Z4535
3/8	3/4	1/4-20	1/2	9/16	5/32	Z4541
	1	1/4-20	1/2	9/16	5/32	Z4542
	1-9/16	1/4-20	3/4	9/16	3/16	Z4570



Barrel Diameter	Barrel Length	Thread Size	Thread Depth	Head Diameter	Head Height	Steel, Brass Part Number	Steel, Black Oxide Part Number
13/64	3/8	8-32	1/4	7/16	9/64	Z4560-BR	Z4560-BX

18-8 SS | Plain Finish



Barrel Diameter	Barrel Length	Thread Size	Thread Depth	Head Diameter	Head Height	18-8 SS Part Number
1/4	1/4	8-32	.200	3/8	1/8	Z4700
	1/2	8-32	1/4	3/8	1/8	Z4705
	3/4	8-32	1/2	3/8	1/8	Z4710
	1	8-32	1/2	3/8	1/8	Z4715
5/16	3/4	10-32	1/4	7/16	9/64	Z4725
	1/2	10-32	1/2	7/16	9/64	Z4720
3/8	1/2	1/4-20	1/4	9/16	5/32	Z4730
	19/32	1/4-20	1/2	9/16	5/32	Z4731
	3/4	1/4-20	1/2	9/16	5/32	Z4732
	1	1/4-20	1/2	9/16	5/32	Z4734

316 SS,
Brass

For technical drawings and charts, please see page A-59

Slotted Truss Head Barrels – Inch



316 SS | Plain, Black Oxide Plating



Barrel Diameter	Barrel Length	Thread Size	Thread Depth	Head Diameter	Head Height	316 SS Part Number	316 SS, Black Ox. Part Number
1/4	1/4	10-32	Thru	7/16	1/8	Z4404F-316SS	Z4404F-316BLK
	3/8	10-32	5/16	7/16	1/8	Z4406F-316SS	Z4406F-316BLK
	1/2	10-32	3/8	7/16	1/8	Z4408F-316SS	Z4408F-316BLK
	5/8	10-32	3/8	7/16	1/8	Z4410F-316SS	Z4410F-316BLK
1/4	3/4	10-32	3/8	7/16	1/8	Z4412F-316SS	Z4412F-316BLK
	7/8	10-32	3/8	7/16	1/8	Z4414F-316SS	Z4414F-316BLK
	1	10-32	3/8	7/16	1/8	Z4416F-316SS	Z4416F-316BLK
1/4	1-1/4	10-32	3/8	7/16	1/8	Z4420F-316SS	Z4420F-316BLK
	1-1/2	10-32	3/8	7/16	1/8	Z4424F-316SS	Z4424F-316BLK
5/16	2	10-32	3/8	7/16	1/8	Z4432F-316SS	Z4432F-316BLK
	3/8	1/4-28	13/64	9/16	5/32	Z4135F-316SS	Z4135F-316BLK
	1/2	1/4-28	3/8	9/16	5/32	Z4443F-316SS	Z4443F-316BLK
	5/8	1/4-28	1/2	9/16	5/32	Z4137F-316SS	Z4137F-316BLK
5/16	3/4	1/4-28	3/8	9/16	5/32	Z4444F-316SS	Z4444F-316BLK
	7/8	1/4-28	1/2	9/16	5/32	Z4139F-316SS	Z4139F-316BLK
	1	1/4-28	3/8	9/16	5/32	Z4446F-316SS	Z4446F-316BLK
	1-1/4	1/4-28	3/8	9/16	5/32	Z4448F-316SS	Z4448F-316BLK
	1-1/2	1/4-28	3/8	9/16	5/32	Z4449F-316SS	Z4449F-316BLK
5/16	2	1/4-28	3/8	9/16	5/32	Z4451F-316SS	Z4451F-316BLK
1/2	3/8	3/8-16	5/16	13/16	7/32	Z4165-316SS	Z4165-316BLK
	1/2	3/8-16	3/8	13/16	7/32	Z4166-316SS	Z4166-316BLK
	5/8	3/8-16	1/2	13/16	7/32	Z4167-316SS	Z4167-316BLK
	3/4	3/8-16	1/2	13/16	7/32	Z4168-316SS	Z4168-316BLK
1/2	7/8	3/8-16	1/2	13/16	7/32	Z4169-316SS	Z4169-316BLK
	1	3/8-16	1/2	13/16	7/32	Z4170-316SS	Z4170-316BLK
	1-1/4	3/8-16	1/2	13/16	7/32	Z4171-316SS	Z4171-316BLK
	1-1/2	3/8-16	1/2	13/16	7/32	Z4172-316SS	Z4172-316BLK
1/2	2	3/8-16	1/2	13/16	7/32	Z4173-316SS	Z4173-316BLK

Brass | Plain, Chrome Plating



Barrel Diameter	Barrel Length	Thread Size	Thread Depth	Head Diameter	Head Height	Brass, Plain Part Number	Brass, Chrome Part Number
1/4	1/4	8-32	.200	3/8	1/8	Z4605	Z4600
	1/2	8-32	1/4	3/8	1/8	Z4615	Z4610
	5/8	10-24	1/4	3/8	1/8	Z4616	–
	3/4	8-32	1/2	3/8	1/8	Z4625	Z4620
	1	8-32	1/2	3/8	1/8	Z4635	Z4630
5/16	1/2	10-32	1/4	7/16	9/64	Z4645	Z4640
	3/4	10-32	1/2	7/16	9/64	Z4655	Z4650



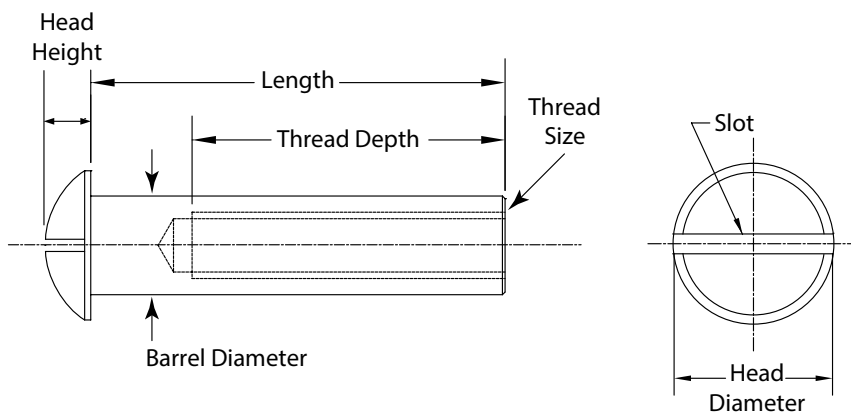
Slotted Truss Head Barrels – Metric

When combining a slotted barrel with a screw, this mating fastener sometimes referred to as a threaded rivet and a rivet nut, is designed to clamp material between the head of the barrel and the head of the screw, or to bridge the gap between two parts, like going through a hollow panel.

A slotted barrel has a truss style head which is a wider and lower version of a round head. A truss head distributes holding pressure to reduce the likelihood of crushing thin and softer materials and provides more bearing surface for improved holding power. Barrel length is measured from under the head. Under the head/flange is smooth.

Materials and finishes offered in:

- 18-8 Stainless Steel | Plain Finish
- 316 Stainless Steel | Plain Finish, Black Oxide



Slotted Truss Head Drive Barrels

Barrel Diameter	Barrel Length	Thread Size	Thread Depth	Head Diameter	Head Height	18-8 SS Part Number
6.00	6.00	M4 x 0.7	4.00	10.50	3.00	Z4700M
6.00	12.00	M4 x 0.7	7.50	10.50	3.00	Z4705M
6.00	20.00	M4 x 0.7	11.50	10.50	3.00	Z4710M
6.00	25.00	M4 x 0.7	11.50	10.50	3.00	Z4715M
8.00	12.00	M6 x 1	7.50	14.00	4.00	Z4720M
8.00	20.00	M6 x 1	11.50	14.00	4.00	Z4725M
10.00	12.00	M6 x 1	7.50	17.50	5.00	Z4730M
10.00	16.00	M6 x 1	9.50	17.50	5.00	Z4731M
10.00	20.00	M6 x 1	9.50	17.50	5.00	Z4732M
10.00	25.00	M6 x 1	9.50	17.50	5.00	Z4734M

316 SS

For technical drawings and charts, please see page A-62

Slotted Drive Barrels – Metric

316 SS | Black Oxide, Plain



Slotted Truss Head Drive Barrels

Barrel Diameter	Barrel Length	Thread Size	Thread Depth	Head Diameter	Head Height	316 SS Part Number	316 Black Ox. Part Number
5.00	6.00	M4 x 0.7	5.50	10.00	3.00	Z41M4X6-316	Z41M4X6-316BLK
5.00	8.00	M4 x 0.7	5.50	10.00	3.00	Z41M4X8-316	Z41M4X8-316BLK
5.00	10.00	M4 x 0.7	6.00	10.00	3.00	Z41M4X10-316	Z41M4X10-316BLK
5.00	12.00	M4 x 0.7	8.50	10.00	3.00	Z41M4X12-316	Z41M4X12-316BLK
5.00	16.00	M4 x 0.7	9.50	10.00	3.00	Z41M4X16-316	Z41M4X16-316BLK
5.00	20.00	M4 x 0.7	9.50	10.00	3.00	Z41M4X20-316	Z41M4X20-316BLK
5.00	22.00	M4 x 0.7	9.50	10.00	3.00	Z41M4X22-316	Z41M4X22-316BLK
5.00	25.00	M4 x 0.7	9.50	10.00	3.00	Z41M4X25-316	Z41M4X25-316BLK
6.50	6.00	M5 x 0.8	5.50	12.00	4.00	Z41M5X6-316	Z41M5X6-316BLK
6.50	8.00	M5 x 0.8	5.50	12.00	4.00	Z41M5X8-316	Z41M5X8-316BLK
6.50	10.00	M5 x 0.8	7.50	12.00	4.00	Z41M5X10-316	Z41M5X10-316BLK
6.50	12.00	M5 x 0.8	8.50	12.00	4.00	Z41M5X12-316	Z41M5X12-316BLK
6.50	16.00	M5 x 0.8	9.50	12.00	4.00	Z41M5X16-316	Z41M5X16-316BLK
6.50	20.00	M5 x 0.8	9.50	12.00	4.00	Z41M5X20-316	Z41M5X20-316BLK
6.50	22.00	M5 x 0.8	9.50	12.00	4.00	Z41M5X22-316	Z41M5X22-316BLK
6.50	25.00	M5 x 0.8	9.50	12.00	4.00	Z41M5X25-316	Z41M5X25-316BLK
6.50	30.00	M5 x 0.8	9.50	12.00	4.00	Z41M5X30-316	Z41M5X30-316BLK
6.50	40.00	M5 x 0.8	9.50	12.00	4.00	Z41M5X40-316	Z41M5X40-316BLK
6.50	50.00	M5 x 0.8	9.50	12.00	4.00	Z41M5X50-316	Z41M5X50-316BLK
7.50	10.00	M6 x 1	7.50	14.00	4.20	Z41M6X10-316	Z41M6X10-316BLK
7.50	12.00	M6 x 1	8.50	14.00	4.20	Z41M6X12-316	Z41M6X12-316BLK
7.50	16.00	M6 x 1	9.50	14.00	4.20	Z41M6X16-316	Z41M6X16-316BLK
7.50	20.00	M6 x 1	9.50	14.00	4.20	Z41M6X20-316	Z41M6X20-316BLK
7.50	22.00	M6 x 1	9.50	14.00	4.20	Z41M6X22-316	Z41M6X22-316BLK
7.50	25.00	M6 x 1	9.50	14.00	4.20	Z41M6X25-316	Z41M6X25-316BLK
7.50	30.00	M6 x 1	9.50	14.00	4.20	Z41M6X30-316	Z41M6X30-316BLK
7.50	40.00	M6 x 1	9.50	14.00	4.20	Z41M6X40-316	Z41M6X40-316BLK
7.50	50.00	M6 x 1	9.50	14.00	4.20	Z41M6X50-316	Z41M6X50-316BLK
10.00	10.00	M8 x 1.25	9.50	17.50	4.40	Z41M8X10-316	Z41M8X10-316BLK
10.00	12.00	M8 x 1.25	9.50	17.50	4.40	Z41M8X12-316	Z41M8X12-316BLK
10.00	16.00	M8 x 1.25	9.50	17.50	4.40	Z41M8X16-316	Z41M8X16-316BLK
10.00	20.00	M8 x 1.25	12.50	17.50	4.40	Z41M8X20-316	Z41M8X20-316BLK
10.00	22.00	M8 x 1.25	12.50	17.50	4.40	Z41M8X22-316	Z41M8X22-316BLK
10.00	25.00	M8 x 1.25	12.50	17.50	4.40	Z41M8X25-316	Z41M8X25-316BLK
10.00	30.00	M8 x 1.25	12.50	17.50	4.40	Z41M8X30-316	Z41M8X30-316BLK
10.00	40.00	M8 x 1.25	12.50	17.50	4.40	Z41M8X40-316	Z41M8X40-316BLK
10.00	50.00	M8 x 1.25	12.50	17.50	4.40	Z41M8X50-316	Z41M8X50-316BLK

Sex Bolts

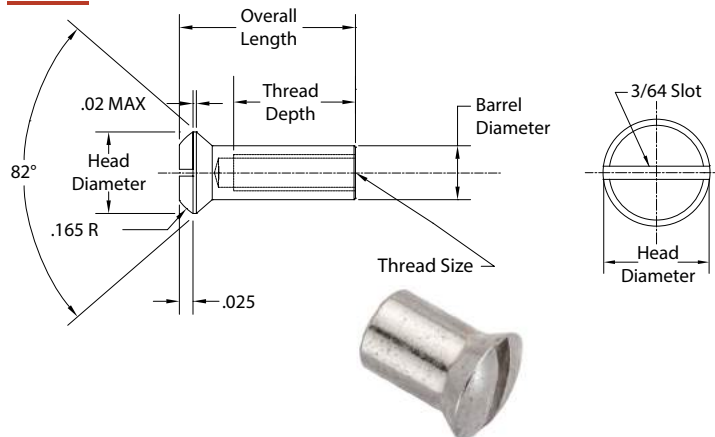
Brass, Steel,
18-8 SS

Slotted Oval Head Barrels — Inch

Slotted Oval Head Barrels are measured from over the head to the end of the barrel and have a standard 82° countersunk head.

Materials and finishes offered in:

- Steel | Nickel Plated
- Brass | Nickel Plated



Barrel Diameter	O'all Length	Thread Size	Thread Depth	Head Dia.	Steel, Nickel Part Number
1/4	41/64	10-32	1/4	3/8	Z4816

Barrel Diameter	O'all Length	Thread Size	Thread Depth	Head Diameter	Brass, Nickel Part Number
3/16	19/64	6-32	.200	1/4	Z4800
	25/64	6-32	.200	9/32	Z4802
	17/32	6-32	5/16	1/4	Z4804
3/16	43/64	6-32	3/8	3/8	Z4810
	5/8	6-32	5/16	1/4	Z4806
1/4	7/16	8-32	1/4	23/64	Z4812
	7/16	10-32	.275	11/32	Z4814

Slotted Flat Head Barrels — Inch

Slotted Flat Head Barrels are measured from over the head to the end of the barrel and have a standard 82° countersunk head.

Materials and finishes offered in:

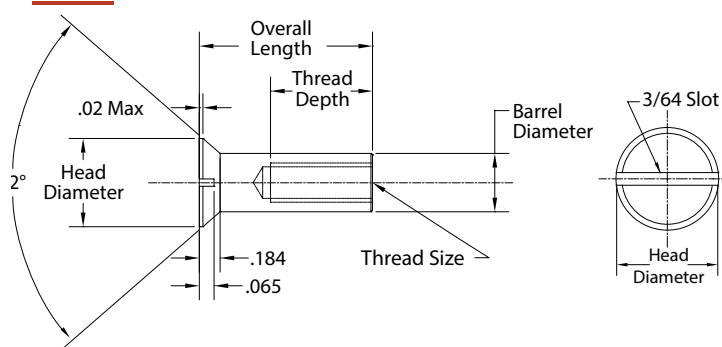
- 18-8 SS, Plain Finish
- Brass, Plain Finish
- Steel, Zinc Plated



Tapped Thru Head



Closed Head



Barrel Diameter	Overall Length	Thread Size	Thread Depth	Head Diameter	Material, Finish	Part Number
13/64	27/64	8-32	Thru	5/16	Steel, Zinc	Z4830
	1/2	8-32	Thru	5/16	Brass, Plain	Z4832
	3/4	8-32	Thru	5/16	Brass, Plain	Z4834
5/16	7/16	10-32	Thru	1/2	18-8 Stainless	Z5026
	3/4	10-32	Thru	1/2	18-8 Stainless	Z5028
	1	10-32	Thru	1/2	18-8 Stainless	Z5030
.425	3/4	5/16-18	Thru	.715	18-8 Stainless	Z5035
	1	5/16-18	.600	.715	18-8 Stainless	Z5040

Steel,
18-8 SS

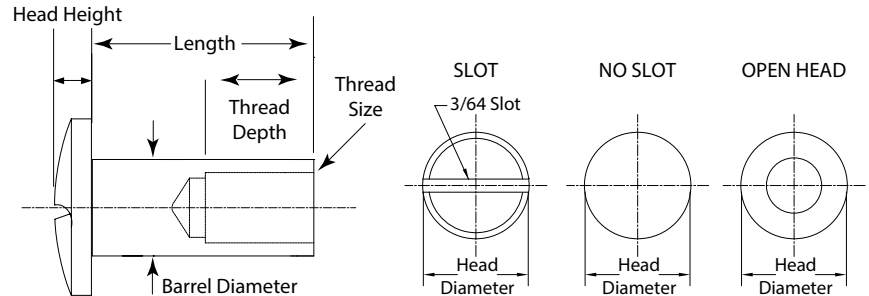


Grommet Nuts – Inch

For hinge installations – available with slot for ease of installation, or without any slot for security installations. Used on full surface, half surface and half mortise hinges, prison hinges and heavy-duty institutional hinges. Also used for installing door closers, panic bars, exit devices kick plates, push plates, and all types of surface mounted door hardware.

Materials and finishes offered in:

- Steel | Zinc Plated, Brass Plated
- 18-8 Stainless Steel | Plain Finish



Slotted Grommet Nuts

Barrel Diameter	Barrel Length	Thread Size	Thread Depth	Head Dia.	Steel, Zinc Part Number	Steel, Brass Part Number	18-8 SS Part Number
5/16	1/2	10-32	1/4	7/16	Z4530	Z4518	Z4720
5/16	1/2	12-24	1/4	7/16	Z4511	Z4513	Z4516
3/8	1/2	1/4-20	1/4	9/16	Z4540	Z4514	Z4730
1/2	1/2	3/8-16	1/4	3/4	Z4512	Z4515	Z4517



No Slot Grommet Nuts

Barrel Diameter	Barrel Length	Thread Size	Thread Depth	Head Dia.	Steel, Zinc Part Number	Steel, Brass Part Number	18-8 SS Part Number
5/16	1/2	10-32	1/4	7/16	Z4521	Z4525	Z4529
5/16	1/2	12-24	1/4	7/16	Z4522	Z4526	Z4531
3/8	1/2	1/4-20	1/4	9/16	Z4523	Z4527	Z4532
1/2	1/2	3/8-16	1/4	3/4	Z4524	Z4528	Z4533



Open Head, Fully Threaded Grommet Nuts

Barrel Diameter	Barrel Length	Thread Size	Thread Depth	Head Dia.	Steel, Zinc Part Number	Steel, Brass Part Number	18-8 SS Part Number
5/16	1/2	10-32	1/4	7/16	Z4750	Z4760	Z4770
5/16	1/2	12-24	1/4	7/16	Z4751	Z4761	Z4771
3/8	1/2	1/4-20	1/4	9/16	Z4752	Z4762	Z4772
1/2	1/2	3/8-16	1/4	3/4	Z4753	Z4763	Z4773

Sex Bolts

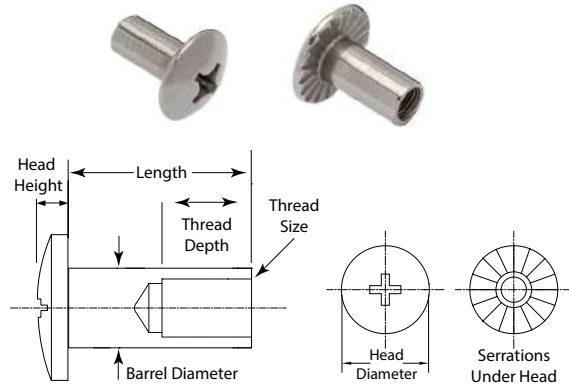
18-8 SS, Steel,
Aluminum

Phillips Truss Head Barrels – Inch

These female barrels have a Phillips Truss Head, no knurl under the head, no mating screw. These barrels have serrations under the head.

Materials and finishes offered in:

- Steel | Chrome Plated
- 18-8 Stainless Steel | Plain Finish



Barrel Diameter	Barrel Length	Thread Size	Thread Depth	Head Diameter	Head Height	Steel, Chrome Part Number
1/4	1/2	10-24	3/8	13/32	1/8	Z4850

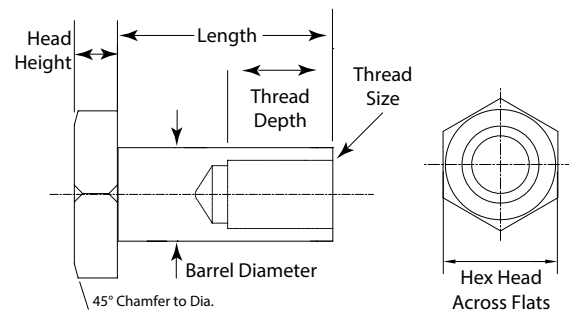
Barrel Diameter	Barrel Length	Thread Size	Thread Depth	Head Diameter	Head Height	18-8 SS Part Number
3/16	3/8	6-32	1/4	3/8	3/32	Z4740
7/32	3/8	8-32	1/4	7/16	3/32	Z4741
1/4	1/2	10-24	3/8	9/16	9/64	Z4742
5/16	5/8	1/4-20	7/16	11/16	3/16	Z4743
3/8	3/4	5/16-18	5/8	3/4	7/32	Z4744
7/16	3/4	3/8-16	5/8	15/16	7/32	Z4745
7/16	3/4	3/8-16	5/8	13/16	7/32	Z4746

Hex Head Barrels – Inch

These sex bolts have hex heads, no knurl under the head, no mating screw.

Materials and finishes offered in:

- 18-8 Stainless Steel | Plain Finish



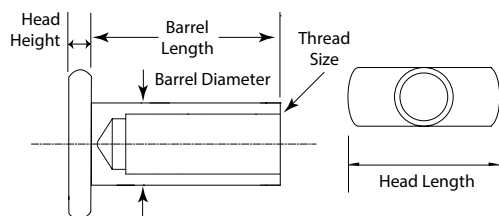
Barrel Diameter	Barrel Length	Thread Size	Thread Depth	Across Flats	Head Height	18-8 SS Part Number
	1/2	10-24	5/16	1/2	3/16	Z4180-SS
5/16	3/4	10-24	3/8	1/2	3/16	Z4181-SS
	1	10-24	3/8	1/2	3/16	Z4182-SS
3/8	1/2	1/4-20	5/16	5/8	13/64	Z4185-SS
	3/4	1/4-20	3/8	5/8	13/64	Z4186-SS
	1	1/4-20	3/8	5/8	13/64	Z4187-SS
1/2	1/2	3/8-16	5/16	3/4	1/4	Z4190-SS
	3/4	3/8-16	3/8	3/4	1/4	Z4191-SS
	1	3/8-16	3/8	3/4	1/4	Z4192-SS

T Head Barrels – Inch

Special "T Slot" style head is used in commercial railing systems.

Materials and finishes offered in:

- Aluminum | Plain Finish



Barrel Length	Thread Size	Head Length	Head Width	Head Height	Part Number
3/8	8-32	.406	.210	1/16	Z4660
1/2	8-32	.406	.210	1/16	Z4661
5/8	8-32	.406	.210	1/16	Z4662
3/4	8-32	.406	.210	1/16	Z4663

18-8 SS

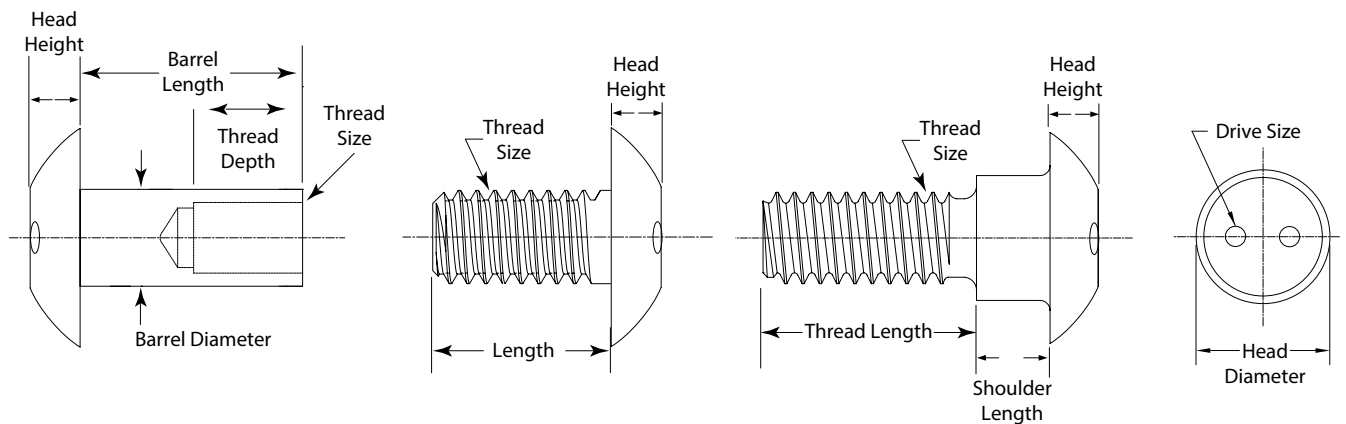
Spanner Drive Barrels & Screws – Metric



AMPG has developed a metric line of Tamper-Resistant Binding Barrel and Screw Sets. These mating fasteners consist of a barrel with an internal thread and a complementary threaded screw. Both the barrel and screw have identical truss heads with drilled spanner drives, also known as snake-eye spanner drives. A truss head distributes holding pressure to reduce the likelihood of crushing thin and softer materials and provides more bearing surface for improved holding power. Barrel lengths are measured from under the head to end of barrel. Thread fit is Class 6H for barrels; Class 6g for screws.

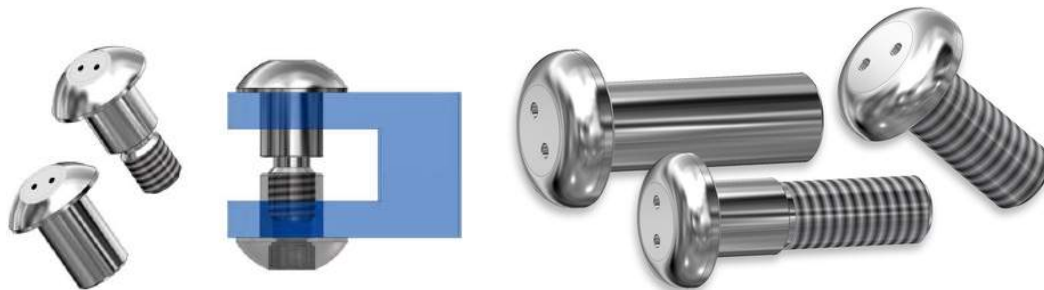
Materials and finishes offered in:

- 18-8 Stainless Steel | Plain Finish



Spanner Drive Dimensions – Metric

Barrel Dia.	Thread Size	Head Dia.	Head Height	Drive Size
6	M4 x 0.7	10.50	4.00	#14
8	M6 x 1	17.50	4.00	#14



Sex Bolts

For technical drawings and charts, please see page A-67

18-8 SS

Spanner Drive Barrels – Metric



18-8 SS | Plain Finish



Spanner Drive Barrels

Barrel Diameter	Barrel Length	Thread Size	Thread Depth	Drive* Size	Part Number
6.00	10.00	M4 x 0.7	7.50	#14	Z1700SDM
	12.00	M4 x 0.7	7.50	#14	Z1702SDM
6.00	20.00	M4 x 0.7	9.50	#14	Z1706SDM
	40.00	M4 x 0.7	9.50	#14	Z1712SDM
8.00	12.00	M6 x 1	7.50	#14	Z1716SDM
	20.00	M6 x 1	9.50	#14	Z1720SDM
8.00	30.00	M6 x 1	9.50	#14	Z1724SDM



Spanner Drive Sets

Grip Range	Barrel Length	Thread Size	Screw Length	Shoulder Screw Lg.	Set Part Number
10 to 12mm	10.00	M4 x 0.7	6.00	–	Z1700SDMPAK
12 to 14mm	12.00	M4 x 0.7	6.00	–	Z1702SDMPAK
16 to 18mm	12.00	M4 x 0.7	6.00	4.00	Z1704SDMPAK
20 to 22mm	20.00	M4 x 0.7	8.00	–	Z1706SDMPAK
25 to 27mm	20.00	M4 x 0.7	8.00	5.00	Z1708SDMPAK
30 to 32mm	20.00	M4 x 0.7	8.00	10.00	Z1710SDMPAK
40 to 42mm	40.00	M4 x 0.7	8.00	–	Z1712SDMPAK
50 to 52mm	40.00	M4 x 0.7	8.00	10.00	Z1714SDMPAK
12 to 14mm	12.00	M6 x 1	6.00	–	Z1716SDMPAK
16 to 18mm	12.00	M6 x 1	6.00	4.00	Z1718SDMPAK
20 to 22mm	20.00	M6 x 1	8.00	–	Z1720SDMPAK
25 to 27mm	20.00	M6 x 1	8.00	5.00	Z1722SDMPAK
30 to 32mm	30.00	M6 x 1	8.00	–	Z1724SDMPAK
40 to 42mm	30.00	M6 x 1	8.00	10.00	Z1726SDMPAK

Spanner Drive Dimensions – Metric

Barrel Dia.	Thread Size	Head Dia.	Head Height	Drive Size
6	M4 x 0.7	10.50	4.00	#14
8	M6 x 1	17.50	4.00	#14



Spanner Drive Screws

Thread Size	Length	Drive* Size	Part Number
M4 x 0.7	6.00	#14	Z1952SDM
M4 x 0.7	8.00	#14	Z1954SDM
M6 x 1	6.00	#14	Z1956SDM
M6 x 1	8.00	#14	Z1958SDM



Spanner Drive Shoulder Screws

Thread Size	Thread Length	Shoulder Length	Drive* Size	Part Number
M4 x 0.7	6.00	4.00	#14	Z1900SDM
M4 x 0.7	8.00	5.00	#14	Z1910SDM
M4 x 0.7	8.00	10.00	#14	Z1920SDM
M6 x 1	6.00	4.00	#14	Z1930SDM
M6 x 1	8.00	5.00	#14	Z1940SDM
M6 x 1	8.00	10.00	#14	Z1950SDM

*Drilled Spanner #14 designed for Head Diameters of .414" to .687 (10.5mm - 17.5mm). Hole Ctr.-to-Ctr. is .250" (6.35mm).



Longevity

Since 1995, Accurate Manufactured Products Group (AMPG) has been a stocking manufacturer of precision components, harA-to-find fasteners and industrial products.



Strategic Location

AMPG's 121,600 square foot facility is located in the Heart of the Midwest which gives us access to high-quality machinists/employees as well as being strategically located for fast delivery.



Advanced Equipment

Our manufacturing facility operates 24/7, producing precision parts on state-of-the-art CNC Swiss Lathes. Parts are made from high quality materials with a superior machined finish.



Superior Quality

Our advanced electronic Quality Control systems are employed on the manufacturing floor to catch trends before bad parts are produced.





ACCURATE
MANUFACTURED
PRODUCTS
GROUP



Visit us online at ampg.com or email sales@ampg.com

8090 Woodland Drive
Indianapolis, IN 46278

p: 317.472.9000
f: 317.472.9010

Follow Us On Social Media



[@AMPG.USA](https://www.facebook.com/AMPG.USA)



[@AMPG_USA](https://twitter.com/AMPG_USA)



[@ampg_design](https://www.instagram.com/ampg_design)



[@AMPG](https://www.youtube.com/AMPG)