



ACCURATE  
MANUFACTURED  
PRODUCTS  
GROUP

# Power Transmission & Gas Spring Accessories



CAT.Ver.08

Visit us online at [ampg.com](http://ampg.com) or email [sales@ampg.com](mailto:sales@ampg.com)

8090 Woodland Drive  
Indianapolis, IN 46278

p: 317.472.9000  
f: 317.472.9010

# “Beautiful Parts, Right Now”



## Longevity

AMPG is a privately-owned family business started by current management in 1987. With the second generation in the business, already for many years, we are realizing a future of serving our customers, collaborating with our employees, and contributing to a vibrant domestic manufacturing economy.

## Philosophy

We are proud to be an American manufacturer dedicated to solving large problems that affect small numbers of customers. We are committed to our team, our products, and our customers.

Our continuous capital investments in production equipment, employees, automation, and inspection technologies allows us to design thousands of new items a year, get them into large distributor channels and produce on demand small quantities in a few days.

## Stock & Custom...**FAST**

As a precision manufacturer of specialized fasteners, architectural hardware, mechanical components and industrial accessories, AMPG stocks over 35,000 products. We also offer custom manufacturing supported by design, product testing and engineering services. To see the latest and most complete catalog of our over 35,000 different items, visit [www.ampg.com](http://www.ampg.com).

## How to Buy Our Products

Visit us [online](#), email us at [sales@ampg.com](mailto:sales@ampg.com) or give us a call at **317.472.9000** and we can help you with your inquiry. Our stock line of parts ships same day from Indianapolis, Indiana.



Page	Description
<a href="#">i</a>	AMPG Materials
<a href="#">F-1</a>	Flange-Mount Shaft Supports, Inch and Metric
<a href="#">F-2 to F-16</a>	Keyed Rotary Shafts, Inch and Metric
	<a href="#">F-2 to F-11</a> Inch
	<a href="#">F-12 to F-16</a> Metric
<a href="#">F-17 to F-18</a>	Extension Spring Stud Anchors, Inch and Metric
<a href="#">F-19 to F-20</a>	Z-Swivel Spring Anchors, Inch and Metric
<a href="#">F-21 to F-25</a>	External Thread Connecting Rods, Inch and Metric
<a href="#">F-26 to F-30</a>	Internal Thread Connecting Rods, Inch and Metric
<a href="#">F-31 to F-36</a>	RH/LH External Thread Turnbuckle Rods, Inch and Metric
<a href="#">F-37 to F-41</a>	RH/LH Internal Thread Turnbuckle Rods, Inch and Metric
<a href="#">F-42 to F-44</a>	Partially Threaded Studs, Inch
<a href="#">F-45 to F-51</a>	Precision Clevis Pins, Inch and Metric
<a href="#">F-52</a>	Double Drilled Clevis Pins, Inch
<a href="#">F-53</a>	Connector Studs (Hood Pins), Inch
<a href="#">F-53</a>	Headless Clevis Pins (Extra Long), Inch
<a href="#">F-54 to F-62</a>	Rod End Bolts, Inch and Metric
<a href="#">F-63</a>	Left-Hand Rod End Bolts, Metric
<a href="#">F-64</a>	Internally Threaded Solid Rod Ends, Inch
<a href="#">F-65</a>	Externally Threaded Latch Bolts, Metric
<a href="#">F-65</a>	Pull Dowels, Inch
<a href="#">F-66</a>	Round Pin Blanks/Dowel Pin Stock, Inch
<a href="#">F-67</a>	Spring Plunger Mounting Bases Inch
<a href="#">F-68</a>	Gas Spring Attachment Points (Extra Duty)
<a href="#">F-69</a>	Flat Brackets
<a href="#">F-69</a>	Ball Studs
<a href="#">F-70 to F-71</a>	Headed Spring Anchors, Inch
<a href="#">F-72</a>	Threaded Mounting Blocks—Lug-Mount, Inch
<a href="#">F-72</a>	Brackets for Nose-Mount Gear Motors
<a href="#">F-72 to F-121</a>	Male-Female Hex Adapters

# About Our Materials



## Aluminum

- Aluminum has the strength of mild steel with one third the weight.
- Resists corrosion in wet environments.
- Lightweight material used for fittings, hardware and fasteners.
- Nonmagnetic.

## Brass

- Brass is a softer material approximately two-thirds copper and one-third zinc.
- Provides good resistance to rust and atmospheric corrosion.
- Friction-resistant material used for gears, bearings, fasteners and valves.
- Nonmagnetic.

## Stainless Steel 18-8 (303)

- Type 303 stainless offers excellent corrosion resistance.
- Resists chemicals, most dyes, food and nitric acid.
- Corrosion-resistant material used for screws, bushings, nuts and hardware.
- May be mildly magnetic.

## Stainless Steel 316 (316/316L)

- Type 316 stainless offers superior corrosion resistance than Type 303 stainless.
- Resists salt water, acids, chlorides, alkalis and other industrial solvents.
- Low-maintenance material used in commercial kitchens and food processing.
- May be mildly magnetic.

*\*AMPG uses dual certified Type 316/316L stainless material. Meets all 316 stainless properties but has lower carbon content, making it more suitable for welding.*

## Stainless Steel 17-4 PH

- Type 17-4 PH stainless maintains excellent corrosion resistance and strength at high temperatures.
- Resists chemicals, most dyes, food and nitric acid.
- High-strength material used for fittings, valves, bolts and shafts.
- Mildly magnetic.

## Carbon Steel C1045

- C1045 Carbon Steel is generally stronger than aluminum and stainless steel but not as corrosion resistant. It offers medium strength properties making them ideal for general purpose use.
- Recommended for applications requiring higher strength and wear resistance than carbon steel and stainless steel shafts.
- Material requires a finish to resist rust, such as black-oxide treatment or zinc plating.

## Steel Alloy 4140/41L40 (Alloy Steel)

- Alloy 4140 is a “primary” material used high strength fasteners and components.
- Material requires a finish to resist rust, such as black-oxide treatment or zinc plating.
- High-strength material that exceed Grade 8 used for socket screws, studs and components, only after heat treatment.
- Magnetic.

# Flange-Mount Shaft Supports – Inch and Metric

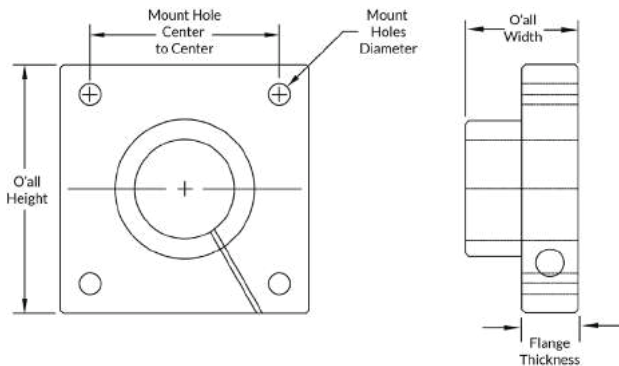


## Aluminum

### Product Information

For providing support to ends of linear shafts. For use with light load shafts where shaft alignment is not critical. Commonly used with closed-style linear bearings. Four bolt design.

- AMPG products are made in the USA, precision machined from DFARS compliant material, and lot traceable.
- Aluminum is 6061-T6 and meets ASTM B211.
- Made from aluminum, these Flange-Mount Shaft Support are lightweight, resist corrosion in wet environments and nonmagnetic.



### Flange Mount, Inch

For Shaft OD	O'all Length	O'all Width	O'all Height	Flange Thickness	Mount Holes Diameter	Mount Hole Center-to-Center	Clamping Screw Size	AMPG Part Number
1/4	1-1/2	3/4	1-1/2	3/8	.16	1	6-32	ZMOUNTK30
5/16	1-1/2	3/4	1-1/2	3/8	.16	1	6-32	ZMOUNTK31
3/8	1-1/2	3/4	1-1/2	3/8	.16	1	6-32	ZMOUNTK32
1/2	1-5/8	7/8	1-5/8	1/2	.18	1-1/4	8-32	ZMOUNTK21
5/8	2	7/8	2	1/2	.18	1-1/2	8-32	ZMOUNTK35
3/4	2-3/8	1	2-3/8	5/8	.21	1-3/4	10-32	ZMOUNTK22
7/8	2-1/2	1	2-1/2	5/8	.21	2	10-32	ZMOUNTK38
1	2-3/4	1-1/4	2-3/4	5/8	.27	2-1/8	1/4-20	ZMOUNTK23
1-1/8	3	1-1/4	3	3/4	.27	2-1/4	1/4-20	ZMOUNTK42
1-1/4	3-1/8	1-3/8	3-1/8	3/4	.27	2-3/8	1/4-20	ZMOUNTK24
1-1/2	3-1/2	1-5/8	3-1/2	3/4	.33	2-1/2	5/16-18	ZMOUNTK45
2	4	2	4	7/8	.33	2-7/8	5/16-18	ZMOUNTK53

### Flange Mount, Metric

For Shaft OD	O'all Length	O'all Width	O'all Height	Flange Thickness	Mount Holes Diameter	Mount Hole Center-to-Center	Clamping Screw Size	AMPG Part Number
10 mm	40.00	22.00	40.00	12.00	5.00	25.00	M4	ZMOUNTM10
12 mm	40.00	22.00	40.00	12.00	5.00	25.00	M4	ZMOUNTM12
20 mm	64.00	26.00	64.00	16.00	7.00	42.00	M5	ZMOUNTM20
25 mm	70.00	32.00	70.00	16.00	8.00	50.00	M6	ZMOUNTM25
30 mm	80.00	35.00	80.00	18.00	8.00	60.00	M6	ZMOUNTM30

## Keyed Rotary Shafts – Inch



- 18-8 Stainless Steel
- 316 Stainless Steel
- C1045 Steel
- 1144 Steel
- 2024 Aluminum

### Product Information

A keyed rotary shaft is a mechanical component used to transmit rotational motion and torque in machinery. It is characterized by a linear keyway cut along part of its length, into which a matching key is inserted. This key fits into a corresponding keyway on a hub, pulley, gear, or other components mounted on the shaft. These turned shafts are commonly used in applications where precise alignment and torque transmission are crucial, such as in motors, gearboxes, conveyors, and other mechanical systems. The use of a key and keyway is a simple yet effective method to secure the mounted component to the shaft, allowing for efficient power transmission while also facilitating assembly and disassembly of the system. All shafts are fully lot traceable. Made in the USA from DFARS & RoHS compliant materials. Keyways meet ANSI Standard dimensions and tolerances. Both ends are chamfered. Contact us for Made-to-Order options.

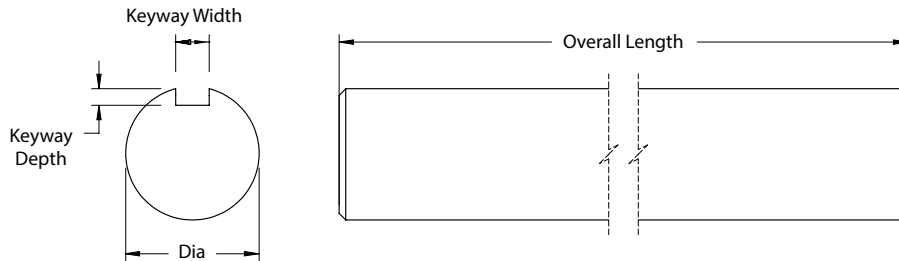
- 18-8 Stainless Steel offers excellent corrosion resistant.
- 316 Stainless Steel, also known as Marine Stainless Steel, offers superior corrosion resistant than 18-8 Stainless Steel.
- Aluminum have the strength of mild steel with one third the weight.
- C1045 Carbon Steel are generally stronger than Stainless Steel and Aluminum without corrosion resistance.
- 1144 Alloy Steel is stronger than Carbon Steel and hardened for increased wear resistance.



### Materials Chart

Material	Mechanical Finish	Edge Type	Specs Met	Rockwell Hardness	Tensile Strength (psi)	Magnetic?
18-8 SS			ASTM A 582 Cond A	B83	90,000	Mildly
316 SS			ASTM A 276 Cond	B83	85,000	Mildly
C1045 Carbon Steel	Ground & Polished	Chamfered	ASTM A108	C15	91,000	Magnetic
1144 Alloy Steel			ASTM A311	C22	115,000	Magnetic
2024 Aluminum			ASTM B211	B75	68,000	Nonmagnetic

## Keyed Rotary Shafts – Inch



**Dimensions Table – Inch**

Dia.	Keyway Width	Keyway Depth	Straightness Tolerance	Length Tolerance
5/16	3/32	3/64	.012 in/ft	+/-0.062
3/8	3/32	3/64	.012 in/ft	+/-0.062
1/2	1/8	1/16	.012 in/ft	+/-0.062
5/8	3/16	3/32	.012 in/ft	+/-0.062
3/4	3/16	3/32	.012 in/ft	+/-0.062
7/8	3/16	3/32	.012 in/ft	+/-0.062
15/16	1/4	1/8	.012 in/ft	+/-0.062
1	1/4	1/8	.012 in/ft	+/-0.062
1-1/8	1/4	1/8	.012 in/ft	+/-0.062
1-3/16	1/4	1/8	.012 in/ft	+/-0.062
1-1/4	1/4	1/8	.012 in/ft	+/-0.062
1-5/16	5/16	5/32	.012 in/ft	+/-0.062
1-3/8	5/16	5/32	.012 in/ft	+/-0.062
1-7/16	3/8	3/16	.012 in/ft	+/-0.062
1-1/2	3/8	3/16	.012 in/ft	+/-0.062
1-5/8	3/8	3/16	.012 in/ft	+/-0.062
1-3/4	3/8	3/16	.012 in/ft	+/-0.062
1-7/8	1/2	1/4	.012 in/ft	+/-0.062
1-15/16	1/2	1/4	.012 in/ft	+/-0.062
2	1/2	1/4	.012 in/ft	+/-0.062
2-1/8	1/2	1/4	.012 in/ft	+/-0.062
2-3/16	1/2	1/4	.012 in/ft	+/-0.062
2-3/8	5/8	5/16	.012 in/ft	+/-0.062
2-7/16	5/8	5/16	.012 in/ft	+/-0.062

## Keyed Rotary Shafts – Inch



### 5/16 Dia. (Tolerance: -.0025" to 0")

O'all Lg.	18-8 SS Part Number	316 SS Part Number	C1045 Steel Part Number	1144 Steel Part Number	2024 Aluminum Part Number
3	ZSHK-312-03000-303SU	ZSHK-312-03000-316SU	ZSHK-312-03000-104SU	ZSHK-312-03000-114SU	ZSHK-312-03000-202SU
6	ZSHK-312-06000-303SU	ZSHK-312-06000-316SU	ZSHK-312-06000-104SU	ZSHK-312-06000-114SU	ZSHK-312-06000-202SU
9	ZSHK-312-09000-303SU	ZSHK-312-09000-316SU	ZSHK-312-09000-104SU	ZSHK-312-09000-114SU	ZSHK-312-09000-202SU
12	ZSHK-312-12000-303SU	ZSHK-312-12000-316SU	ZSHK-312-12000-104SU	ZSHK-312-12000-114SU	ZSHK-312-12000-202SU
18	ZSHK-312-18000-303SU	ZSHK-312-18000-316SU	ZSHK-312-18000-104SU	ZSHK-312-18000-114SU	ZSHK-312-18000-202SU
24	ZSHK-312-24000-303SU	ZSHK-312-24000-316SU	ZSHK-312-24000-104SU	ZSHK-312-24000-114SU	ZSHK-312-24000-202SU
36	ZSHK-312-36000-303SU	ZSHK-312-36000-316SU	ZSHK-312-36000-104SU	ZSHK-312-36000-114SU	ZSHK-312-36000-202SU
48	ZSHK-312-48000-303SU	ZSHK-312-48000-316SU	ZSHK-312-48000-104SU	ZSHK-312-48000-114SU	ZSHK-312-48000-202SU
60	ZSHK-312-60000-303SU	ZSHK-312-60000-316SU	ZSHK-312-60000-104SU	ZSHK-312-60000-114SU	ZSHK-312-60000-202SU
72	ZSHK-312-72000-303SU	ZSHK-312-72000-316SU	ZSHK-312-72000-104SU	ZSHK-312-72000-114SU	ZSHK-312-72000-202SU

### 3/8 Dia. (Tolerance: -.0025" to 0")

O'all Lg.	18-8 SS Part Number	316 SS Part Number	C1045 Steel Part Number	1144 Steel Part Number	2024 Aluminum Part Number
3	ZSHK-375-03000-303SU	ZSHK-375-03000-316SU	ZSHK-375-03000-104SU	ZSHK-375-03000-114SU	ZSHK-375-03000-202SU
6	ZSHK-375-06000-303SU	ZSHK-375-06000-316SU	ZSHK-375-06000-104SU	ZSHK-375-06000-114SU	ZSHK-375-06000-202SU
9	ZSHK-375-09000-303SU	ZSHK-375-09000-316SU	ZSHK-375-09000-104SU	ZSHK-375-09000-114SU	ZSHK-375-09000-202SU
12	ZSHK-375-12000-303SU	ZSHK-375-12000-316SU	ZSHK-375-12000-104SU	ZSHK-375-12000-114SU	ZSHK-375-12000-202SU
18	ZSHK-375-18000-303SU	ZSHK-375-18000-316SU	ZSHK-375-18000-104SU	ZSHK-375-18000-114SU	ZSHK-375-18000-202SU
24	ZSHK-375-24000-303SU	ZSHK-375-24000-316SU	ZSHK-375-24000-104SU	ZSHK-375-24000-114SU	ZSHK-375-24000-202SU
36	ZSHK-375-36000-303SU	ZSHK-375-36000-316SU	ZSHK-375-36000-104SU	ZSHK-375-36000-114SU	ZSHK-375-36000-202SU
48	ZSHK-375-48000-303SU	ZSHK-375-48000-316SU	ZSHK-375-48000-104SU	ZSHK-375-48000-114SU	ZSHK-375-48000-202SU
60	ZSHK-375-60000-303SU	ZSHK-375-60000-316SU	ZSHK-375-60000-104SU	ZSHK-375-60000-114SU	ZSHK-375-60000-202SU
72	ZSHK-375-72000-303SU	ZSHK-375-72000-316SU	ZSHK-375-72000-104SU	ZSHK-375-72000-114SU	ZSHK-375-72000-202SU

### 1/2 Dia. (Tolerance: -.0025" to 0")

O'all Lg.	18-8 SS Part Number	316 SS Part Number	C1045 Steel Part Number	1144 Steel Part Number	2024 Aluminum Part Number
3	ZSHK-500-03000-303SU	ZSHK-500-03000-316SU	ZSHK-500-03000-104SU	ZSHK-500-03000-114SU	ZSHK-500-03000-202SU
6	ZSHK-500-06000-303SU	ZSHK-500-06000-316SU	ZSHK-500-06000-104SU	ZSHK-500-06000-114SU	ZSHK-500-06000-202SU
9	ZSHK-500-09000-303SU	ZSHK-500-09000-316SU	ZSHK-500-09000-104SU	ZSHK-500-09000-114SU	ZSHK-500-09000-202SU
12	ZSHK-500-12000-303SU	ZSHK-500-12000-316SU	ZSHK-500-12000-104SU	ZSHK-500-12000-114SU	ZSHK-500-12000-202SU
18	ZSHK-500-18000-303SU	ZSHK-500-18000-316SU	ZSHK-500-18000-104SU	ZSHK-500-18000-114SU	ZSHK-500-18000-202SU
24	ZSHK-500-24000-303SU	ZSHK-500-24000-316SU	ZSHK-500-24000-104SU	ZSHK-500-24000-114SU	ZSHK-500-24000-202SU
36	ZSHK-500-36000-303SU	ZSHK-500-36000-316SU	ZSHK-500-36000-104SU	ZSHK-500-36000-114SU	ZSHK-500-36000-202SU
48	ZSHK-500-48000-303SU	ZSHK-500-48000-316SU	ZSHK-500-48000-104SU	ZSHK-500-48000-114SU	ZSHK-500-48000-202SU
60	ZSHK-500-60000-303SU	ZSHK-500-60000-316SU	ZSHK-500-60000-104SU	ZSHK-500-60000-114SU	ZSHK-500-60000-202SU
72	ZSHK-500-72000-303SU	ZSHK-500-72000-316SU	ZSHK-500-72000-104SU	ZSHK-500-72000-114SU	ZSHK-500-72000-202SU



## Keyed Rotary Shafts – Inch



### 5/8 Dia. (Tolerance: -.0025" to 0")

O'all Lg.	18-8 SS Part Number	316 SS Part Number	C1045 Steel Part Number	1144 Steel Part Number	2024 Aluminum Part Number
3	ZSHK-625-03000-303SU	ZSHK-625-03000-316SU	ZSHK-625-03000-104SU	ZSHK-625-03000-114SU	ZSHK-625-03000-202SU
6	ZSHK-625-06000-303SU	ZSHK-625-06000-316SU	ZSHK-625-06000-104SU	ZSHK-625-06000-114SU	ZSHK-625-06000-202SU
9	ZSHK-625-09000-303SU	ZSHK-625-09000-316SU	ZSHK-625-09000-104SU	ZSHK-625-09000-114SU	ZSHK-625-09000-202SU
12	ZSHK-625-12000-303SU	ZSHK-625-12000-316SU	ZSHK-625-12000-104SU	ZSHK-625-12000-114SU	ZSHK-625-12000-202SU
18	ZSHK-625-18000-303SU	ZSHK-625-18000-316SU	ZSHK-625-18000-104SU	ZSHK-625-18000-114SU	ZSHK-625-18000-202SU
24	ZSHK-625-24000-303SU	ZSHK-625-24000-316SU	ZSHK-625-24000-104SU	ZSHK-625-24000-114SU	ZSHK-625-24000-202SU
36	ZSHK-625-36000-303SU	ZSHK-625-36000-316SU	ZSHK-625-36000-104SU	ZSHK-625-36000-114SU	ZSHK-625-36000-202SU
48	ZSHK-625-48000-303SU	ZSHK-625-48000-316SU	ZSHK-625-48000-104SU	ZSHK-625-48000-114SU	ZSHK-625-48000-202SU
60	ZSHK-625-60000-303SU	ZSHK-625-60000-316SU	ZSHK-625-60000-104SU	ZSHK-625-60000-114SU	ZSHK-625-60000-202SU
72	ZSHK-625-72000-303SU	ZSHK-625-72000-316SU	ZSHK-625-72000-104SU	ZSHK-625-72000-114SU	ZSHK-625-72000-202SU

### 3/4 Dia. (Tolerance: -.0025" to 0")

O'all Lg.	18-8 SS Part Number	316 SS Part Number	C1045 Steel Part Number	1144 Steel Part Number	2024 Aluminum Part Number
3	ZSHK-750-03000-303SU	ZSHK-750-03000-316SU	ZSHK-750-03000-104SU	ZSHK-750-03000-114SU	ZSHK-750-03000-202SU
6	ZSHK-750-06000-303SU	ZSHK-750-06000-316SU	ZSHK-750-06000-104SU	ZSHK-750-06000-114SU	ZSHK-750-06000-202SU
9	ZSHK-750-09000-303SU	ZSHK-750-09000-316SU	ZSHK-750-09000-104SU	ZSHK-750-09000-114SU	ZSHK-750-09000-202SU
12	ZSHK-750-12000-303SU	ZSHK-750-12000-316SU	ZSHK-750-12000-104SU	ZSHK-750-12000-114SU	ZSHK-750-12000-202SU
18	ZSHK-750-18000-303SU	ZSHK-750-18000-316SU	ZSHK-750-18000-104SU	ZSHK-750-18000-114SU	ZSHK-750-18000-202SU
24	ZSHK-750-24000-303SU	ZSHK-750-24000-316SU	ZSHK-750-24000-104SU	ZSHK-750-24000-114SU	ZSHK-750-24000-202SU
36	ZSHK-750-36000-303SU	ZSHK-750-36000-316SU	ZSHK-750-36000-104SU	ZSHK-750-36000-114SU	ZSHK-750-36000-202SU
48	ZSHK-750-48000-303SU	ZSHK-750-48000-316SU	ZSHK-750-48000-104SU	ZSHK-750-48000-114SU	ZSHK-750-48000-202SU
60	ZSHK-750-60000-303SU	ZSHK-750-60000-316SU	ZSHK-750-60000-104SU	ZSHK-750-60000-114SU	ZSHK-750-60000-202SU
72	ZSHK-750-72000-303SU	ZSHK-750-72000-316SU	ZSHK-750-72000-104SU	ZSHK-750-72000-114SU	ZSHK-750-72000-202SU

### 7/8 Dia. (Tolerance: -.0025" to 0")

O'all Lg.	18-8 SS Part Number	316 SS Part Number	C1045 Steel Part Number	1144 Steel Part Number	2024 Aluminum Part Number
3	ZSHK-875-03000-303SU	ZSHK-875-03000-316SU	ZSHK-875-03000-104SU	ZSHK-875-03000-114SU	ZSHK-875-03000-202SU
6	ZSHK-875-06000-303SU	ZSHK-875-06000-316SU	ZSHK-875-06000-104SU	ZSHK-875-06000-114SU	ZSHK-875-06000-202SU
9	ZSHK-875-09000-303SU	ZSHK-875-09000-316SU	ZSHK-875-09000-104SU	ZSHK-875-09000-114SU	ZSHK-875-09000-202SU
12	ZSHK-875-12000-303SU	ZSHK-875-12000-316SU	ZSHK-875-12000-104SU	ZSHK-875-12000-114SU	ZSHK-875-12000-202SU
18	ZSHK-875-18000-303SU	ZSHK-875-18000-316SU	ZSHK-875-18000-104SU	ZSHK-875-18000-114SU	ZSHK-875-18000-202SU
24	ZSHK-875-24000-303SU	ZSHK-875-24000-316SU	ZSHK-875-24000-104SU	ZSHK-875-24000-114SU	ZSHK-875-24000-202SU
36	ZSHK-875-36000-303SU	ZSHK-875-36000-316SU	ZSHK-875-36000-104SU	ZSHK-875-36000-114SU	ZSHK-875-36000-202SU
48	ZSHK-875-48000-303SU	ZSHK-875-48000-316SU	ZSHK-875-48000-104SU	ZSHK-875-48000-114SU	ZSHK-875-48000-202SU
60	ZSHK-875-60000-303SU	ZSHK-875-60000-316SU	ZSHK-875-60000-104SU	ZSHK-875-60000-114SU	ZSHK-875-60000-202SU
72	ZSHK-875-72000-303SU	ZSHK-875-72000-316SU	ZSHK-875-72000-104SU	ZSHK-875-72000-114SU	ZSHK-875-72000-202SU

## Keyed Rotary Shafts — Inch



### 15/16 Dia. (Tolerance: -.0025" to 0")

O'all Lg.	18-8 SS Part Number	316 SS Part Number	C1045 Steel Part Number	1144 Steel Part Number	2024 Aluminum Part Number
3	—	—	ZSHK-937-03000-104SU	—	—
6	—	—	ZSHK-937-06000-104SU	—	—
9	—	—	ZSHK-937-09000-104SU	—	—
12	—	—	ZSHK-937-12000-104SU	—	—
18	—	—	ZSHK-937-18000-104SU	—	—
24	—	—	ZSHK-937-24000-104SU	—	—
36	—	—	ZSHK-937-36000-104SU	—	—
48	—	—	ZSHK-937-48000-104SU	—	—
60	—	—	ZSHK-937-60000-104SU	—	—
72	—	—	ZSHK-937-72000-104SU	—	—

### 1 Dia. (Tolerance: -.0025" to 0")

O'all Lg.	18-8 SS Part Number	316 SS Part Number	C1045 Steel Part Number	1144 Steel Part Number	2024 Aluminum Part Number
3	ZSHK-1000-03000-303SU	ZSHK-1000-03000-316SU	ZSHK-1000-03000-104SU	ZSHK-1000-03000-114SU	ZSHK-1000-03000-202SU
6	ZSHK-1000-06000-303SU	ZSHK-1000-06000-316SU	ZSHK-1000-06000-104SU	ZSHK-1000-06000-114SU	ZSHK-1000-06000-202SU
9	ZSHK-1000-09000-303SU	ZSHK-1000-09000-316SU	ZSHK-1000-09000-104SU	ZSHK-1000-09000-114SU	ZSHK-1000-09000-202SU
12	ZSHK-1000-12000-303SU	ZSHK-1000-12000-316SU	ZSHK-1000-12000-104SU	ZSHK-1000-12000-114SU	ZSHK-1000-12000-202SU
18	ZSHK-1000-18000-303SU	ZSHK-1000-18000-316SU	ZSHK-1000-18000-104SU	ZSHK-1000-18000-114SU	ZSHK-1000-18000-202SU
24	ZSHK-1000-24000-303SU	ZSHK-1000-24000-316SU	ZSHK-1000-24000-104SU	ZSHK-1000-24000-114SU	ZSHK-1000-24000-202SU
36	ZSHK-1000-36000-303SU	ZSHK-1000-36000-316SU	ZSHK-1000-36000-104SU	ZSHK-1000-36000-114SU	ZSHK-1000-36000-202SU
48	ZSHK-1000-48000-303SU	ZSHK-1000-48000-316SU	ZSHK-1000-48000-104SU	ZSHK-1000-48000-114SU	ZSHK-1000-48000-202SU
60	ZSHK-1000-60000-303SU	ZSHK-1000-60000-316SU	ZSHK-1000-60000-104SU	ZSHK-1000-60000-114SU	ZSHK-1000-60000-202SU
72	ZSHK-1000-72000-303SU	ZSHK-1000-72000-316SU	ZSHK-1000-72000-104SU	ZSHK-1000-72000-114SU	ZSHK-1000-72000-202SU

### 1-1/8 Dia. (Tolerance: -.0025" to 0")

O'all Lg.	18-8 SS Part Number	316 SS Part Number	C1045 Steel Part Number	1144 Steel Part Number	2024 Aluminum Part Number
3	ZSHK-1125-03000-303SU	ZSHK-1125-03000-316SU	ZSHK-1125-03000-104SU	ZSHK-1125-03000-114SU	—
6	ZSHK-1125-06000-303SU	ZSHK-1125-06000-316SU	ZSHK-1125-06000-104SU	ZSHK-1125-06000-114SU	—
9	ZSHK-1125-09000-303SU	ZSHK-1125-09000-316SU	ZSHK-1125-09000-104SU	ZSHK-1125-09000-114SU	—
12	ZSHK-1125-12000-303SU	ZSHK-1125-12000-316SU	ZSHK-1125-12000-104SU	ZSHK-1125-12000-114SU	—
18	ZSHK-1125-18000-303SU	ZSHK-1125-18000-316SU	ZSHK-1125-18000-104SU	ZSHK-1125-18000-114SU	—
24	ZSHK-1125-24000-303SU	ZSHK-1125-24000-316SU	ZSHK-1125-24000-104SU	ZSHK-1125-24000-114SU	—
36	ZSHK-1125-36000-303SU	ZSHK-1125-36000-316SU	ZSHK-1125-36000-104SU	ZSHK-1125-36000-114SU	—
48	ZSHK-1125-48000-303SU	ZSHK-1125-48000-316SU	ZSHK-1125-48000-104SU	ZSHK-1125-48000-114SU	—
60	ZSHK-1125-60000-303SU	ZSHK-1125-60000-316SU	ZSHK-1125-60000-104SU	ZSHK-1125-60000-114SU	—
72	ZSHK-1125-72000-303SU	ZSHK-1125-72000-316SU	ZSHK-1125-72000-104SU	ZSHK-1125-72000-114SU	—

## Keyed Rotary Shafts – Inch



## 1-3/16 Dia. (Tolerance: -.0025" to 0")

O'all Lg.	18-8 SS Part Number	316 SS Part Number	C1045 Steel Part Number	1144 Steel Part Number
3	ZSHK-1187-03000-303SU	ZSHK-1187-03000-316SU	ZSHK-1187-03000-104SU	ZSHK-1187-03000-114SU
6	ZSHK-1187-06000-303SU	ZSHK-1187-06000-316SU	ZSHK-1187-06000-104SU	ZSHK-1187-06000-114SU
9	ZSHK-1187-09000-303SU	ZSHK-1187-09000-316SU	ZSHK-1187-09000-104SU	ZSHK-1187-09000-114SU
12	ZSHK-1187-12000-303SU	ZSHK-1187-12000-316SU	ZSHK-1187-12000-104SU	ZSHK-1187-12000-114SU
18	ZSHK-1187-18000-303SU	ZSHK-1187-18000-316SU	ZSHK-1187-18000-104SU	ZSHK-1187-18000-114SU
24	ZSHK-1187-24000-303SU	ZSHK-1187-24000-316SU	ZSHK-1187-24000-104SU	ZSHK-1187-24000-114SU
36	ZSHK-1187-36000-303SU	ZSHK-1187-36000-316SU	ZSHK-1187-36000-104SU	ZSHK-1187-36000-114SU
48	ZSHK-1187-48000-303SU	ZSHK-1187-48000-316SU	ZSHK-1187-48000-104SU	ZSHK-1187-48000-114SU
60	ZSHK-1187-60000-303SU	ZSHK-1187-60000-316SU	ZSHK-1187-60000-104SU	ZSHK-1187-60000-114SU
72	ZSHK-1187-72000-303SU	ZSHK-1187-72000-316SU	ZSHK-1187-72000-104SU	ZSHK-1187-72000-114SU

## 1-1/4 Dia. (Tolerance: -.0025" to 0")

O'all Lg.	18-8 SS Part Number	316 SS Part Number	C1045 Steel Part Number	1144 Steel Part Number
3	ZSHK-1250-03000-303SU	ZSHK-1250-03000-316SU	ZSHK-1250-03000-104SU	ZSHK-1250-03000-114SU
6	ZSHK-1250-06000-303SU	ZSHK-1250-06000-316SU	ZSHK-1250-06000-104SU	ZSHK-1250-06000-114SU
9	ZSHK-1250-09000-303SU	ZSHK-1250-09000-316SU	ZSHK-1250-09000-104SU	ZSHK-1250-09000-114SU
12	ZSHK-1250-12000-303SU	ZSHK-1250-12000-316SU	ZSHK-1250-12000-104SU	ZSHK-1250-12000-114SU
18	ZSHK-1250-18000-303SU	ZSHK-1250-18000-316SU	ZSHK-1250-18000-104SU	ZSHK-1250-18000-114SU
24	ZSHK-1250-24000-303SU	ZSHK-1250-24000-316SU	ZSHK-1250-24000-104SU	ZSHK-1250-24000-114SU
36	ZSHK-1250-36000-303SU	ZSHK-1250-36000-316SU	ZSHK-1250-36000-104SU	ZSHK-1250-36000-114SU
48	ZSHK-1250-48000-303SU	ZSHK-1250-48000-316SU	ZSHK-1250-48000-104SU	ZSHK-1250-48000-114SU
60	ZSHK-1250-60000-303SU	ZSHK-1250-60000-316SU	ZSHK-1250-60000-104SU	ZSHK-1250-60000-114SU
72	ZSHK-1250-72000-303SU	ZSHK-1250-72000-316SU	ZSHK-1250-72000-104SU	ZSHK-1250-72000-114SU

## 1-5/16 Dia. (Tolerance: -.003" to 0")

O'all Lg.	18-8 SS Part Number	316 SS Part Number	C1045 Steel Part Number	1144 Steel Part Number
3	ZSHK-1312-03000-303SU	ZSHK-1312-03000-316SU	ZSHK-1312-03000-104SU	ZSHK-1312-03000-114SU
6	ZSHK-1312-06000-303SU	ZSHK-1312-06000-316SU	ZSHK-1312-06000-104SU	ZSHK-1312-06000-114SU
9	ZSHK-1312-09000-303SU	ZSHK-1312-09000-316SU	ZSHK-1312-09000-104SU	ZSHK-1312-09000-114SU
12	ZSHK-1312-12000-303SU	ZSHK-1312-12000-316SU	ZSHK-1312-12000-104SU	ZSHK-1312-12000-114SU
18	ZSHK-1312-18000-303SU	ZSHK-1312-18000-316SU	ZSHK-1312-18000-104SU	ZSHK-1312-18000-114SU
24	ZSHK-1312-24000-303SU	ZSHK-1312-24000-316SU	ZSHK-1312-24000-104SU	ZSHK-1312-24000-114SU
36	ZSHK-1312-36000-303SU	ZSHK-1312-36000-316SU	ZSHK-1312-36000-104SU	ZSHK-1312-36000-114SU
48	ZSHK-1312-48000-303SU	ZSHK-1312-48000-316SU	ZSHK-1312-48000-104SU	ZSHK-1312-48000-114SU
60	ZSHK-1312-60000-303SU	ZSHK-1312-60000-316SU	ZSHK-1312-60000-104SU	ZSHK-1312-60000-114SU
72	ZSHK-1312-72000-303SU	ZSHK-1312-72000-316SU	ZSHK-1312-72000-104SU	ZSHK-1312-72000-114SU

## Keyed Rotary Shafts – Inch



### 1-3/8 Dia. (Tolerance: -.003" to 0")

O'all Lg.	18-8 SS Part Number	316 SS Part Number	C1045 Steel Part Number	1144 Steel Part Number
3	ZSHK-1375-03000-303SU	ZSHK-1375-03000-316SU	ZSHK-1375-03000-104SU	ZSHK-1375-03000-114SU
6	ZSHK-1375-06000-303SU	ZSHK-1375-06000-316SU	ZSHK-1375-06000-104SU	ZSHK-1375-06000-114SU
9	ZSHK-1375-09000-303SU	ZSHK-1375-09000-316SU	ZSHK-1375-09000-104SU	ZSHK-1375-09000-114SU
12	ZSHK-1375-12000-303SU	ZSHK-1375-12000-316SU	ZSHK-1375-12000-104SU	ZSHK-1375-12000-114SU
18	ZSHK-1375-18000-303SU	ZSHK-1375-18000-316SU	ZSHK-1375-18000-104SU	ZSHK-1375-18000-114SU
24	ZSHK-1375-24000-303SU	ZSHK-1375-24000-316SU	ZSHK-1375-24000-104SU	ZSHK-1375-24000-114SU
36	ZSHK-1375-36000-303SU	ZSHK-1375-36000-316SU	ZSHK-1375-36000-104SU	ZSHK-1375-36000-114SU
48	ZSHK-1375-48000-303SU	ZSHK-1375-48000-316SU	ZSHK-1375-48000-104SU	ZSHK-1375-48000-114SU
60	ZSHK-1375-60000-303SU	ZSHK-1375-60000-316SU	ZSHK-1375-60000-104SU	ZSHK-1375-60000-114SU
72	ZSHK-1375-72000-303SU	ZSHK-1375-72000-316SU	ZSHK-1375-72000-104SU	ZSHK-1375-72000-114SU

### 1-7/16 Dia. (Tolerance: -.003" to 0")

O'all Lg.	18-8 SS Part Number	316 SS Part Number	C1045 Steel Part Number	1144 Steel Part Number
3	ZSHK-1437-03000-303SU	ZSHK-1437-03000-316SU	ZSHK-1437-03000-104SU	ZSHK-1437-03000-114SU
6	ZSHK-1437-06000-303SU	ZSHK-1437-06000-316SU	ZSHK-1437-06000-104SU	ZSHK-1437-06000-114SU
9	ZSHK-1437-09000-303SU	ZSHK-1437-09000-316SU	ZSHK-1437-09000-104SU	ZSHK-1437-09000-114SU
12	ZSHK-1437-12000-303SU	ZSHK-1437-12000-316SU	ZSHK-1437-12000-104SU	ZSHK-1437-12000-114SU
18	ZSHK-1437-18000-303SU	ZSHK-1437-18000-316SU	ZSHK-1437-18000-104SU	ZSHK-1437-18000-114SU
24	ZSHK-1437-24000-303SU	ZSHK-1437-24000-316SU	ZSHK-1437-24000-104SU	ZSHK-1437-24000-114SU
36	ZSHK-1437-36000-303SU	ZSHK-1437-36000-316SU	ZSHK-1437-36000-104SU	ZSHK-1437-36000-114SU
48	ZSHK-1437-48000-303SU	ZSHK-1437-48000-316SU	ZSHK-1437-48000-104SU	ZSHK-1437-48000-114SU
60	ZSHK-1437-60000-303SU	ZSHK-1437-60000-316SU	ZSHK-1437-60000-104SU	ZSHK-1437-60000-114SU
72	ZSHK-1437-72000-303SU	ZSHK-1437-72000-316SU	ZSHK-1437-72000-104SU	ZSHK-1437-72000-114SU

### 1-1/2 Dia. (Tolerance: -.003" to 0")

O'all Lg.	18-8 SS Part Number	316 SS Part Number	C1045 Steel Part Number	1144 Steel Part Number
3	ZSHK-1500-03000-303SU	ZSHK-1500-03000-316SU	ZSHK-1500-03000-104SU	ZSHK-1500-03000-114SU
6	ZSHK-1500-06000-303SU	ZSHK-1500-06000-316SU	ZSHK-1500-06000-104SU	ZSHK-1500-06000-114SU
9	ZSHK-1500-09000-303SU	ZSHK-1500-09000-316SU	ZSHK-1500-09000-104SU	ZSHK-1500-09000-114SU
12	ZSHK-1500-12000-303SU	ZSHK-1500-12000-316SU	ZSHK-1500-12000-104SU	ZSHK-1500-12000-114SU
18	ZSHK-1500-18000-303SU	ZSHK-1500-18000-316SU	ZSHK-1500-18000-104SU	ZSHK-1500-18000-114SU
24	ZSHK-1500-24000-303SU	ZSHK-1500-24000-316SU	ZSHK-1500-24000-104SU	ZSHK-1500-24000-114SU
36	ZSHK-1500-36000-303SU	ZSHK-1500-36000-316SU	ZSHK-1500-36000-104SU	ZSHK-1500-36000-114SU
48	ZSHK-1500-48000-303SU	ZSHK-1500-48000-316SU	ZSHK-1500-48000-104SU	ZSHK-1500-48000-114SU
60	ZSHK-1500-60000-303SU	ZSHK-1500-60000-316SU	ZSHK-1500-60000-104SU	ZSHK-1500-60000-114SU
72	ZSHK-1500-72000-303SU	ZSHK-1500-72000-316SU	ZSHK-1500-72000-104SU	ZSHK-1500-72000-114SU

## Keyed Rotary Shafts – Inch



## 1-5/8 Dia. (Tolerance: -.003" to 0")

O'all Lg.	18-8 SS Part Number	316 SS Part Number	C1045 Steel Part Number	1144 Steel Part Number
3	ZSHK-1625-03000-303SU	ZSHK-1625-03000-316SU	ZSHK-1625-03000-104SU	ZSHK-1625-03000-114SU
6	ZSHK-1625-06000-303SU	ZSHK-1625-06000-316SU	ZSHK-1625-06000-104SU	ZSHK-1625-06000-114SU
9	ZSHK-1625-09000-303SU	ZSHK-1625-09000-316SU	ZSHK-1625-09000-104SU	ZSHK-1625-09000-114SU
12	ZSHK-1625-12000-303SU	ZSHK-1625-12000-316SU	ZSHK-1625-12000-104SU	ZSHK-1625-12000-114SU
18	ZSHK-1625-18000-303SU	ZSHK-1625-18000-316SU	ZSHK-1625-18000-104SU	ZSHK-1625-18000-114SU
24	ZSHK-1625-24000-303SU	ZSHK-1625-24000-316SU	ZSHK-1625-24000-104SU	ZSHK-1625-24000-114SU
36	ZSHK-1625-36000-303SU	ZSHK-1625-36000-316SU	ZSHK-1625-36000-104SU	ZSHK-1625-36000-114SU
48	ZSHK-1625-48000-303SU	ZSHK-1625-48000-316SU	ZSHK-1625-48000-104SU	ZSHK-1625-48000-114SU
60	ZSHK-1625-60000-303SU	ZSHK-1625-60000-316SU	ZSHK-1625-60000-104SU	ZSHK-1625-60000-114SU
72	ZSHK-1625-72000-303SU	ZSHK-1625-72000-316SU	ZSHK-1625-72000-104SU	ZSHK-1625-72000-114SU

## 1-3/4 Dia. (Tolerance: -.003" to 0")

O'all Lg.	18-8 SS Part Number	316 SS Part Number	C1045 Steel Part Number	1144 Steel Part Number
3	ZSHK-1750-03000-303SU	ZSHK-1750-03000-316SU	ZSHK-1750-03000-104SU	ZSHK-1750-03000-114SU
6	ZSHK-1750-06000-303SU	ZSHK-1750-06000-316SU	ZSHK-1750-06000-104SU	ZSHK-1750-06000-114SU
9	ZSHK-1750-09000-303SU	ZSHK-1750-09000-316SU	ZSHK-1750-09000-104SU	ZSHK-1750-09000-114SU
12	ZSHK-1750-12000-303SU	ZSHK-1750-12000-316SU	ZSHK-1750-12000-104SU	ZSHK-1750-12000-114SU
18	ZSHK-1750-18000-303SU	ZSHK-1750-18000-316SU	ZSHK-1750-18000-104SU	ZSHK-1750-18000-114SU
24	ZSHK-1750-24000-303SU	ZSHK-1750-24000-316SU	ZSHK-1750-24000-104SU	ZSHK-1750-24000-114SU
36	ZSHK-1750-36000-303SU	ZSHK-1750-36000-316SU	ZSHK-1750-36000-104SU	ZSHK-1750-36000-114SU
48	ZSHK-1750-48000-303SU	ZSHK-1750-48000-316SU	ZSHK-1750-48000-104SU	ZSHK-1750-48000-114SU
60	ZSHK-1750-60000-303SU	ZSHK-1750-60000-316SU	ZSHK-1750-60000-104SU	ZSHK-1750-60000-114SU
72	ZSHK-1750-72000-303SU	ZSHK-1750-72000-316SU	ZSHK-1750-72000-104SU	ZSHK-1750-72000-114SU

## 1-7/8 Dia. (Tolerance: -.003" to 0")

O'all Lg.	18-8 SS Part Number	316 SS Part Number	C1045 Steel Part Number	1144 Steel Part Number
3	ZSHK-1875-03000-303SU	ZSHK-1875-03000-316SU	ZSHK-1875-03000-104SU	ZSHK-1875-03000-114SU
6	ZSHK-1875-06000-303SU	ZSHK-1875-06000-316SU	ZSHK-1875-06000-104SU	ZSHK-1875-06000-114SU
9	ZSHK-1875-09000-303SU	ZSHK-1875-09000-316SU	ZSHK-1875-09000-104SU	ZSHK-1875-09000-114SU
12	ZSHK-1875-12000-303SU	ZSHK-1875-12000-316SU	ZSHK-1875-12000-104SU	ZSHK-1875-12000-114SU
18	ZSHK-1875-18000-303SU	ZSHK-1875-18000-316SU	ZSHK-1875-18000-104SU	ZSHK-1875-18000-114SU
24	ZSHK-1875-24000-303SU	ZSHK-1875-24000-316SU	ZSHK-1875-24000-104SU	ZSHK-1875-24000-114SU
36	ZSHK-1875-36000-303SU	ZSHK-1875-36000-316SU	ZSHK-1875-36000-104SU	ZSHK-1875-36000-114SU
48	ZSHK-1875-48000-303SU	ZSHK-1875-48000-316SU	ZSHK-1875-48000-104SU	ZSHK-1875-48000-114SU
60	ZSHK-1875-60000-303SU	ZSHK-1875-60000-316SU	ZSHK-1875-60000-104SU	ZSHK-1875-60000-114SU
72	ZSHK-1875-72000-303SU	ZSHK-1875-72000-316SU	ZSHK-1875-72000-104SU	ZSHK-1875-72000-114SU

## Keyed Rotary Shafts — Inch



### 1-15/16 Dia. (Tolerance: -.0035" to 0")

O'all Lg.	18-8 SS Part Number	316 SS Part Number	C1045 Steel Part Number	1144 Steel Part Number
3	ZSHK-1937-03000-303SU	ZSHK-1937-03000-316SU	ZSHK-1937-03000-104SU	ZSHK-1937-03000-114SU
6	ZSHK-1937-06000-303SU	ZSHK-1937-06000-316SU	ZSHK-1937-06000-104SU	ZSHK-1937-06000-114SU
9	ZSHK-1937-09000-303SU	ZSHK-1937-09000-316SU	ZSHK-1937-09000-104SU	ZSHK-1937-09000-114SU
12	ZSHK-1937-12000-303SU	ZSHK-1937-12000-316SU	ZSHK-1937-12000-104SU	ZSHK-1937-12000-114SU
18	ZSHK-1937-18000-303SU	ZSHK-1937-18000-316SU	ZSHK-1937-18000-104SU	ZSHK-1937-18000-114SU
24	ZSHK-1937-24000-303SU	ZSHK-1937-24000-316SU	ZSHK-1937-24000-104SU	ZSHK-1937-24000-114SU
36	ZSHK-1937-36000-303SU	ZSHK-1937-36000-316SU	ZSHK-1937-36000-104SU	ZSHK-1937-36000-114SU
48	ZSHK-1937-48000-303SU	ZSHK-1937-48000-316SU	ZSHK-1937-48000-104SU	ZSHK-1937-48000-114SU
60	ZSHK-1937-60000-303SU	ZSHK-1937-60000-316SU	ZSHK-1937-60000-104SU	ZSHK-1937-60000-114SU
72	ZSHK-1937-72000-303SU	ZSHK-1937-72000-316SU	ZSHK-1937-72000-104SU	ZSHK-1937-72000-114SU

### 2 Dia. (Tolerance: -.0035" to 0")

O'all Lg.	18-8 SS Part Number	316 SS Part Number	C1045 Steel Part Number	1144 Steel Part Number
3	ZSHK-2000-03000-303SU	ZSHK-2000-03000-316SU	ZSHK-2000-03000-104SU	ZSHK-2000-03000-114SU
6	ZSHK-2000-06000-303SU	ZSHK-2000-06000-316SU	ZSHK-2000-06000-104SU	ZSHK-2000-06000-114SU
9	ZSHK-2000-09000-303SU	ZSHK-2000-09000-316SU	ZSHK-2000-09000-104SU	ZSHK-2000-09000-114SU
12	ZSHK-2000-12000-303SU	ZSHK-2000-12000-316SU	ZSHK-2000-12000-104SU	ZSHK-2000-12000-114SU
18	ZSHK-2000-18000-303SU	ZSHK-2000-18000-316SU	ZSHK-2000-18000-104SU	ZSHK-2000-18000-114SU
24	ZSHK-2000-24000-303SU	ZSHK-2000-24000-316SU	ZSHK-2000-24000-104SU	ZSHK-2000-24000-114SU
36	ZSHK-2000-36000-303SU	ZSHK-2000-36000-316SU	ZSHK-2000-36000-104SU	ZSHK-2000-36000-114SU
48	ZSHK-2000-48000-303SU	ZSHK-2000-48000-316SU	ZSHK-2000-48000-104SU	ZSHK-2000-48000-114SU
60	ZSHK-2000-60000-303SU	ZSHK-2000-60000-316SU	ZSHK-2000-60000-104SU	ZSHK-2000-60000-114SU
72	ZSHK-2000-72000-303SU	ZSHK-2000-72000-316SU	ZSHK-2000-72000-104SU	ZSHK-2000-72000-114SU

### 2-1/8 Dia. (Tolerance: -.0035" to 0")

O'all Lg.	18-8 SS Part Number	316 SS Part Number	C1045 Steel Part Number	1144 Steel Part Number
3	ZSHK-2125-03000-303SU	ZSHK-2125-03000-316SU	ZSHK-2125-03000-104SU	ZSHK-2125-03000-114SU
6	ZSHK-2125-06000-303SU	ZSHK-2125-06000-316SU	ZSHK-2125-06000-104SU	ZSHK-2125-06000-114SU
9	ZSHK-2125-09000-303SU	ZSHK-2125-09000-316SU	ZSHK-2125-09000-104SU	ZSHK-2125-09000-114SU
12	ZSHK-2125-12000-303SU	ZSHK-2125-12000-316SU	ZSHK-2125-12000-104SU	ZSHK-2125-12000-114SU
18	ZSHK-2125-18000-303SU	ZSHK-2125-18000-316SU	ZSHK-2125-18000-104SU	ZSHK-2125-18000-114SU
24	ZSHK-2125-24000-303SU	ZSHK-2125-24000-316SU	ZSHK-2125-24000-104SU	ZSHK-2125-24000-114SU
36	ZSHK-2125-36000-303SU	ZSHK-2125-36000-316SU	ZSHK-2125-36000-104SU	ZSHK-2125-36000-114SU
48	ZSHK-2125-48000-303SU	ZSHK-2125-48000-316SU	ZSHK-2125-48000-104SU	ZSHK-2125-48000-114SU
60	ZSHK-2125-60000-303SU	ZSHK-2125-60000-316SU	ZSHK-2125-60000-104SU	ZSHK-2125-60000-114SU
72	ZSHK-2125-72000-303SU	ZSHK-2125-72000-316SU	ZSHK-2125-72000-104SU	ZSHK-2125-72000-114SU

Keyed Rotary Shafts – Inch



2-3/16 Dia. (Tolerance: -.0035" to 0")

O'all Lg.	18-8 SS Part Number	316 SS Part Number	C1045 Steel Part Number	1144 Steel Part Number
3	ZSHK-2187-03000-303SU	ZSHK-2187-03000-316SU	ZSHK-2187-03000-104SU	ZSHK-2187-03000-114SU
6	ZSHK-2187-06000-303SU	ZSHK-2187-06000-316SU	ZSHK-2187-06000-104SU	ZSHK-2187-06000-114SU
9	ZSHK-2187-09000-303SU	ZSHK-2187-09000-316SU	ZSHK-2187-09000-104SU	ZSHK-2187-09000-114SU
12	ZSHK-2187-12000-303SU	ZSHK-2187-12000-316SU	ZSHK-2187-12000-104SU	ZSHK-2187-12000-114SU
18	ZSHK-2187-18000-303SU	ZSHK-2187-18000-316SU	ZSHK-2187-18000-104SU	ZSHK-2187-18000-114SU
24	ZSHK-2187-24000-303SU	ZSHK-2187-24000-316SU	ZSHK-2187-24000-104SU	ZSHK-2187-24000-114SU
36	ZSHK-2187-36000-303SU	ZSHK-2187-36000-316SU	ZSHK-2187-36000-104SU	ZSHK-2187-36000-114SU
48	ZSHK-2187-48000-303SU	ZSHK-2187-48000-316SU	ZSHK-2187-48000-104SU	ZSHK-2187-48000-114SU
60	ZSHK-2187-60000-303SU	ZSHK-2187-60000-316SU	ZSHK-2187-60000-104SU	ZSHK-2187-60000-114SU
72	ZSHK-2187-72000-303SU	ZSHK-2187-72000-316SU	ZSHK-2187-72000-104SU	ZSHK-2187-72000-114SU

2-3/8 Dia. (Tolerance: -.0035" to 0")

O'all Lg.	18-8 SS Part Number	316 SS Part Number	C1045 Steel Part Number	1144 Steel Part Number
3	ZSHK-2375-03000-303SU	ZSHK-2375-03000-316SU	ZSHK-2375-03000-104SU	ZSHK-2375-03000-114SU
6	ZSHK-2375-06000-303SU	ZSHK-2375-06000-316SU	ZSHK-2375-06000-104SU	ZSHK-2375-06000-114SU
9	ZSHK-2375-09000-303SU	ZSHK-2375-09000-316SU	ZSHK-2375-09000-104SU	ZSHK-2375-09000-114SU
12	ZSHK-2375-12000-303SU	ZSHK-2375-12000-316SU	ZSHK-2375-12000-104SU	ZSHK-2375-12000-114SU
18	ZSHK-2375-18000-303SU	ZSHK-2375-18000-316SU	ZSHK-2375-18000-104SU	ZSHK-2375-18000-114SU
24	ZSHK-2375-24000-303SU	ZSHK-2375-24000-316SU	ZSHK-2375-24000-104SU	ZSHK-2375-24000-114SU
36	ZSHK-2375-36000-303SU	ZSHK-2375-36000-316SU	ZSHK-2375-36000-104SU	ZSHK-2375-36000-114SU
48	ZSHK-2375-48000-303SU	ZSHK-2375-48000-316SU	ZSHK-2375-48000-104SU	ZSHK-2375-48000-114SU
60	ZSHK-2375-60000-303SU	ZSHK-2375-60000-316SU	ZSHK-2375-60000-104SU	ZSHK-2375-60000-114SU
72	ZSHK-2375-72000-303SU	ZSHK-2375-72000-316SU	ZSHK-2375-72000-104SU	ZSHK-2375-72000-114SU

2-7/16 Dia. (Tolerance: -.0035" to 0")

O'all Lg.	18-8 SS Part Number	316 SS Part Number	C1045 Steel Part Number	1144 Steel Part Number
3	ZSHK-2437-03000-303SU	ZSHK-2437-03000-316SU	ZSHK-2437-03000-104SU	ZSHK-2437-03000-114SU
6	ZSHK-2437-06000-303SU	ZSHK-2437-06000-316SU	ZSHK-2437-06000-104SU	ZSHK-2437-06000-114SU
9	ZSHK-2437-09000-303SU	ZSHK-2437-09000-316SU	ZSHK-2437-09000-104SU	ZSHK-2437-09000-114SU
12	ZSHK-2437-12000-303SU	ZSHK-2437-12000-316SU	ZSHK-2437-12000-104SU	ZSHK-2437-12000-114SU
18	ZSHK-2437-18000-303SU	ZSHK-2437-18000-316SU	ZSHK-2437-18000-104SU	ZSHK-2437-18000-114SU
24	ZSHK-2437-24000-303SU	ZSHK-2437-24000-316SU	ZSHK-2437-24000-104SU	ZSHK-2437-24000-114SU
36	ZSHK-2437-36000-303SU	ZSHK-2437-36000-316SU	ZSHK-2437-36000-104SU	ZSHK-2437-36000-114SU
48	ZSHK-2437-48000-303SU	ZSHK-2437-48000-316SU	ZSHK-2437-48000-104SU	ZSHK-2437-48000-114SU
60	ZSHK-2437-60000-303SU	ZSHK-2437-60000-316SU	ZSHK-2437-60000-104SU	ZSHK-2437-60000-114SU
72	ZSHK-2437-72000-303SU	ZSHK-2437-72000-316SU	ZSHK-2437-72000-104SU	ZSHK-2437-72000-114SU

## Keyed Rotary Shafts – Metric



18-8 Stainless Steel  
 316 Stainless Steel  
 C1045 Steel  
 1144 Steel

### Product Information

A keyed rotary shaft is a mechanical component used to transmit rotational motion and torque in machinery. It is characterized by a linear keyway cut along part of its length, into which a matching key is inserted. This key fits into a corresponding keyway on a hub, pulley, gear, or other components mounted on the shaft. These turned shafts are commonly used in applications where precise alignment and torque transmission are crucial, such as in motors, gearboxes, conveyors, and other mechanical systems. The use of a key and keyway is a simple yet effective method to secure the mounted component to the shaft, allowing for efficient power transmission while also facilitating assembly and disassembly of the system. All shafts are fully lot traceable. Made in the USA from DFARS & RoHS compliant materials. Keyways meet ANSI Standard dimensions and tolerances. Both ends are chamfered. Contact us for Made-to-Order options.

- 18-8 Stainless Steel offers excellent corrosion resistant.
- 316 Stainless Steel, also known as Marine Stainless Steel, offers superior corrosion resistant than 18-8 Stainless Steel.
- Aluminum have the strength of mild steel with one third the weight.
- C1045 Carbon Steel are generally stronger than Stainless Steel and Aluminum without corrosion resistance.
- 1144 Alloy Steel is stronger than Carbon Steel and hardened for increased wear resistance.

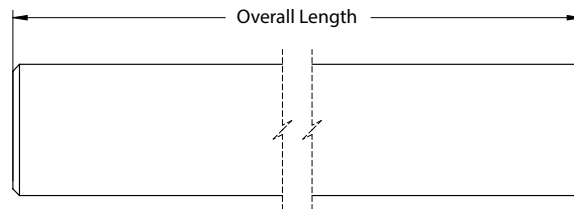
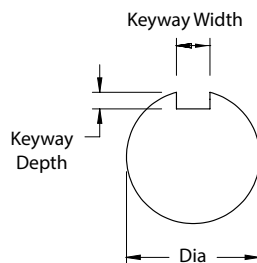


### Materials Chart

Material	Mechanical Finish	Edge Type	Specs Met	Rockwell Hardness	Tensile Strength (psi)	Magnetic?
18-8 SS			ASTM A 582 Cond A	B83	90,000	Mildly
316 SS			ASTM A 276 Cond	B83	85,000	Mildly
C1045 Carbon Steel	Ground & Polished	Chamfered	ASTM A108	C15	91,000	Magnetic
1144 Alloy Steel			ASTM A311	C22	115,000	Magnetic
2024 Aluminum			ASTM B211	B75	68,000	Nonmagnetic



## Keyed Rotary Shafts – Metric



**Dimensions Table – Metric**

Dia. (mm)	Keyway Width (mm)	Keyway Depth (mm)	Straightness Tolerance (mm)	Length Tolerance (mm)
8	2.00	1.20	.33 per 300	+/-1.60
10	3.00	1.80	.33 per 300	+/-1.60
12	4.00	2.50	.33 per 300	+/-1.60
15	5.00	3.00	.33 per 300	+/-1.60
20	6.00	3.50	.33 per 300	+/-1.60
24	8.00	4.00	.33 per 300	+/-1.60
25	8.00	4.00	.33 per 300	+/-1.60
40	12.00	5.00	.33 per 300	+/-1.60
50	14.00	5.50	.33 per 300	+/-1.60

## Keyed Rotary Shafts – Metric



### 8mm Dia. (Tolerance: -.0635 to 0mm)

O'all Lg. (mm)	18-8 SS Part Number	316 SS Part Number	C1045 Steel Part Number	1144 Steel Part Number
300	ZSHK-M08-M0300-303SU	ZSHK-M08-M0300-316SU	ZSHK-M08-M0300-104SU	ZSHK-M08-M0300-114SU
500	ZSHK-M08-M0500-303SU	ZSHK-M08-M0500-316SU	ZSHK-M08-M0500-104SU	ZSHK-M08-M0500-114SU
1,000	ZSHK-M08-M1000-303SU	ZSHK-M08-M1000-316SU	ZSHK-M08-M1000-104SU	ZSHK-M08-M1000-114SU
1,200	ZSHK-M08-M1200-303SU	ZSHK-M08-M1200-316SU	ZSHK-M08-M1200-104SU	ZSHK-M08-M1200-114SU
1,500	ZSHK-M08-M1500-303SU	ZSHK-M08-M1500-316SU	ZSHK-M08-M1500-104SU	ZSHK-M08-M1500-114SU
1,800	ZSHK-M08-M1800-303SU	ZSHK-M08-M1800-316SU	ZSHK-M08-M1800-104SU	ZSHK-M08-M1800-114SU

### 10mm Dia. (Tolerance: -.0635 to 0mm)

O'all Lg. (mm)	18-8 SS Part Number	316 SS Part Number	C1045 Steel Part Number	1144 Steel Part Number
300	ZSHK-M10-M0300-303SU	ZSHK-M10-M0300-316SU	ZSHK-M10-M0300-104SU	ZSHK-M10-M0300-114SU
500	ZSHK-M10-M0500-303SU	ZSHK-M10-M0500-316SU	ZSHK-M10-M0500-104SU	ZSHK-M10-M0500-114SU
1,000	ZSHK-M10-M1000-303SU	ZSHK-M10-M1000-316SU	ZSHK-M10-M1000-104SU	ZSHK-M10-M1000-114SU
1,200	ZSHK-M10-M1200-303SU	ZSHK-M10-M1200-316SU	ZSHK-M10-M1200-104SU	ZSHK-M10-M1200-114SU
1,500	ZSHK-M10-M1500-303SU	ZSHK-M10-M1500-316SU	ZSHK-M10-M1500-104SU	ZSHK-M10-M1500-114SU
1,800	ZSHK-M10-M1800-303SU	ZSHK-M10-M1800-316SU	ZSHK-M10-M1800-104SU	ZSHK-M10-M1800-114SU

### 12mm Dia. (Tolerance: -.0635 to 0mm)

O'all Lg. (mm)	18-8 SS Part Number	316 SS Part Number	C1045 Steel Part Number	1144 Steel Part Number
300	ZSHK-M12-M0300-303SU	ZSHK-M12-M0300-316SU	ZSHK-M12-M0300-104SU	ZSHK-M12-M0300-114SU
500	ZSHK-M12-M0500-303SU	ZSHK-M12-M0500-316SU	ZSHK-M12-M0500-104SU	ZSHK-M12-M0500-114SU
1,000	ZSHK-M12-M1000-303SU	ZSHK-M12-M1000-316SU	ZSHK-M12-M1000-104SU	ZSHK-M12-M1000-114SU
1,200	ZSHK-M12-M1200-303SU	ZSHK-M12-M1200-316SU	ZSHK-M12-M1200-104SU	ZSHK-M12-M1200-114SU
1,500	ZSHK-M12-M1500-303SU	ZSHK-M12-M1500-316SU	ZSHK-M12-M1500-104SU	ZSHK-M12-M1500-114SU
1,800	ZSHK-M12-M1800-303SU	ZSHK-M12-M1800-316SU	ZSHK-M12-M1800-104SU	ZSHK-M12-M1800-114SU

## Keyed Rotary Shafts – Metric



## 15mm Dia. (Tolerance: -.0635 to 0mm)

O'all Lg. (mm)	18-8 SS Part Number	316 SS Part Number	C1045 Steel Part Number	1144 Steel Part Number
300	ZSHK-M15-M0300-303SU	ZSHK-M15-M0300-316SU	ZSHK-M15-M0300-104SU	ZSHK-M15-M0300-114SU
500	ZSHK-M15-M0500-303SU	ZSHK-M15-M0500-316SU	ZSHK-M15-M0500-104SU	ZSHK-M15-M0500-114SU
1,000	ZSHK-M15-M1000-303SU	ZSHK-M15-M1000-316SU	ZSHK-M15-M1000-104SU	ZSHK-M15-M1000-114SU
1,200	ZSHK-M15-M1200-303SU	ZSHK-M15-M1200-316SU	ZSHK-M15-M1200-104SU	ZSHK-M15-M1200-114SU
1,500	ZSHK-M15-M1500-303SU	ZSHK-M15-M1500-316SU	ZSHK-M15-M1500-104SU	ZSHK-M15-M1500-114SU
1,800	ZSHK-M15-M1800-303SU	ZSHK-M15-M1800-316SU	ZSHK-M15-M1800-104SU	ZSHK-M15-M1800-114SU

## 20mm Dia. (Tolerance: -.0635 to 0mm)

O'all Lg. (mm)	18-8 SS Part Number	316 SS Part Number	C1045 Steel Part Number	1144 Steel Part Number
300	ZSHK-M20-M0300-303SU	ZSHK-M20-M0300-316SU	ZSHK-M20-M0300-104SU	ZSHK-M20-M0300-114SU
500	ZSHK-M20-M0500-303SU	ZSHK-M20-M0500-316SU	ZSHK-M20-M0500-104SU	ZSHK-M20-M0500-114SU
1,000	ZSHK-M20-M1000-303SU	ZSHK-M20-M1000-316SU	ZSHK-M20-M1000-104SU	ZSHK-M20-M1000-114SU
1,200	ZSHK-M20-M1200-303SU	ZSHK-M20-M1200-316SU	ZSHK-M20-M1200-104SU	ZSHK-M20-M1200-114SU
1,500	ZSHK-M20-M1500-303SU	ZSHK-M20-M1500-316SU	ZSHK-M20-M1500-104SU	ZSHK-M20-M1500-114SU
1,800	ZSHK-M20-M1800-303SU	ZSHK-M20-M1800-316SU	ZSHK-M20-M1800-104SU	ZSHK-M20-M1800-114SU

## 24mm Dia. (Tolerance: -.0635 to 0mm)

O'all Lg. (mm)	18-8 SS Part Number	316 SS Part Number	C1045 Steel Part Number	1144 Steel Part Number
300	ZSHK-M24-M0300-303SU	ZSHK-M24-M0300-316SU	ZSHK-M24-M0300-104SU	ZSHK-M24-M0300-114SU
500	ZSHK-M24-M0500-303SU	ZSHK-M24-M0500-316SU	ZSHK-M24-M0500-104SU	ZSHK-M24-M0500-114SU
1,000	ZSHK-M24-M1000-303SU	ZSHK-M24-M1000-316SU	ZSHK-M24-M1000-104SU	ZSHK-M24-M1000-114SU
1,200	ZSHK-M24-M1200-303SU	ZSHK-M24-M1200-316SU	ZSHK-M24-M1200-104SU	ZSHK-M24-M1200-114SU
1,500	ZSHK-M24-M1500-303SU	ZSHK-M24-M1500-316SU	ZSHK-M24-M1500-104SU	ZSHK-M24-M1500-114SU
1,800	ZSHK-M24-M1800-303SU	ZSHK-M24-M1800-316SU	ZSHK-M24-M1800-104SU	ZSHK-M24-M1800-114SU

## Keyed Rotary Shafts – Metric



### 25mm Dia. (Tolerance: -.0635 to 0mm)

O'all Lg. (mm)	18-8 SS Part Number	316 SS Part Number	C1045 Steel Part Number	1144 Steel Part Number
300	ZSHK-M25-M0300-303SU	ZSHK-M25-M0300-316SU	ZSHK-M25-M0300-104SU	ZSHK-M25-M0300-114SU
500	ZSHK-M25-M0500-303SU	ZSHK-M25-M0500-316SU	ZSHK-M25-M0500-104SU	ZSHK-M25-M0500-114SU
1,000	ZSHK-M25-M1000-303SU	ZSHK-M25-M1000-316SU	ZSHK-M25-M1000-104SU	ZSHK-M25-M1000-114SU
1,200	ZSHK-M25-M1200-303SU	ZSHK-M25-M1200-316SU	ZSHK-M25-M1200-104SU	ZSHK-M25-M1200-114SU
1,500	ZSHK-M25-M1500-303SU	ZSHK-M25-M1500-316SU	ZSHK-M25-M1500-104SU	ZSHK-M25-M1500-114SU
1,800	ZSHK-M25-M1800-303SU	ZSHK-M25-M1800-316SU	ZSHK-M25-M1800-104SU	ZSHK-M25-M1800-114SU

### 40mm Dia. (Tolerance: -.076 to 0mm)

O'all Lg. (mm)	18-8 SS Part Number	316 SS Part Number	C1045 Steel Part Number	1144 Steel Part Number
300	ZSHK-M40-M0300-303SU	ZSHK-M40-M0300-316SU	ZSHK-M40-M0300-104SU	ZSHK-M40-M0300-114SU
500	ZSHK-M40-M0500-303SU	ZSHK-M40-M0500-316SU	ZSHK-M40-M0500-104SU	ZSHK-M40-M0500-114SU
1,000	ZSHK-M40-M1000-303SU	ZSHK-M40-M1000-316SU	ZSHK-M40-M1000-104SU	ZSHK-M40-M1000-114SU
1,200	ZSHK-M40-M1200-303SU	ZSHK-M40-M1200-316SU	ZSHK-M40-M1200-104SU	ZSHK-M40-M1200-114SU
1,500	ZSHK-M40-M1500-303SU	ZSHK-M40-M1500-316SU	ZSHK-M40-M1500-104SU	ZSHK-M40-M1500-114SU
1,800	ZSHK-M40-M1800-303SU	ZSHK-M40-M1800-316SU	ZSHK-M40-M1800-104SU	ZSHK-M40-M1800-114SU

### 50mm Dia. (Tolerance: -.076 to 0mm)

O'all Lg. (mm)	18-8 SS Part Number	316 SS Part Number	C1045 Steel Part Number	1144 Steel Part Number
300	ZSHK-M50-M0300-303SU	ZSHK-M50-M0300-316SU	ZSHK-M50-M0300-104SU	ZSHK-M50-M0300-114SU
500	ZSHK-M50-M0500-303SU	ZSHK-M50-M0500-316SU	ZSHK-M50-M0500-104SU	ZSHK-M50-M0500-114SU
1,000	ZSHK-M50-M1000-303SU	ZSHK-M50-M1000-316SU	ZSHK-M50-M1000-104SU	ZSHK-M50-M1000-114SU
1,200	ZSHK-M50-M1200-303SU	ZSHK-M50-M1200-316SU	ZSHK-M50-M1200-104SU	ZSHK-M50-M1200-114SU
1,500	ZSHK-M50-M1500-303SU	ZSHK-M50-M1500-316SU	ZSHK-M50-M1500-104SU	ZSHK-M50-M1500-114SU
1,800	ZSHK-M50-M1800-303SU	ZSHK-M50-M1800-316SU	ZSHK-M50-M1800-104SU	ZSHK-M50-M1800-114SU



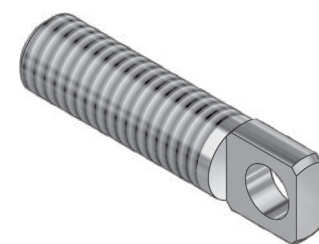
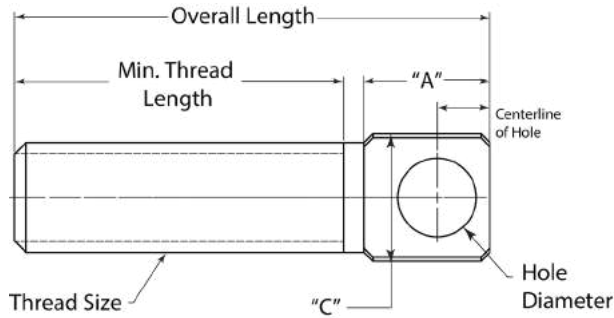
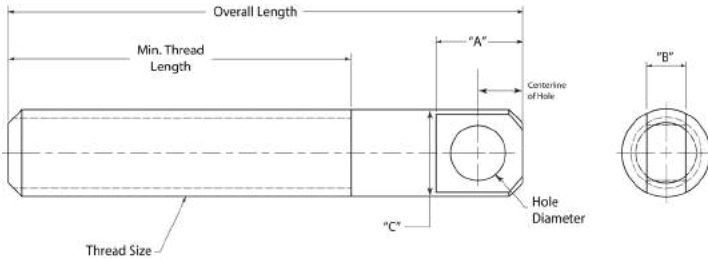
# Extension Spring Stud Anchors – Inch

18-8 Stainless Steel  
Steel | Black Oxide

## Product Information

Attach an extension spring to a stud and then thread the stud into your part for a secure connection. Class 2A thread fit.

- AMPG products are made in the USA, precision machined from DFARS compliant material, and lot traceable.
- 18-8 stainless steel material meet ASTM A582.
- Low strength steel with a Rockwell hardness of B55.
- Made from stainless steel, these spring anchors have good chemical resistance and maybe mildly magnetic.



## Extension Spring Stud Anchors, Inch

Thread Size	Overall Length	Min. Thread Lg.	Hole Dia	Centerline of Hole to Top of Head	"A"	"B"	"C"	AMPG 18-8 SS Part Number	AMPG Steel Part Number
6-32	.625	.400	.080	.070	.150	.062	.138	Z20001SS	Z20001
6-40	.625	.400	.080	.070	.150	.062	.138	Z20022SS	Z20022
6-48	.625	.400	.080	.070	.150	.062	.138	Z20002SS	Z20002
8-32	.875	.625	.100	.085	.160	.072	.164	Z20004SS	Z20004
8-36	.875	.625	.100	.085	.160	.072	.164	Z20023SS	Z20023
8-40	.875	.625	.100	.085	.160	.072	.164	Z20005SS	Z20005
10-24	1.125	.750	.120	.098	.190	.085	.190	Z20024SS	Z20024
10-32	1.125	.750	.120	.098	.190	.085	.190	Z20025SS	Z20025
1/4-20	1.250	.875	.150	.130	.250	.120	.250	Z20010SS	Z20010
1/4-20	1.250	.875	.268	.180	.350	.120	.120	Z20026SS*	Z20026*
1/4-28	1.250	.875	.150	.130	.250	.120	.250	Z20011SS	Z20011
3/8-16	1.625	1.125	.220	.180	.360	.150	.375	Z20014SS	Z20014
3/8-16	1.625	1.125	.268	.180	.430	.150	.375	Z20028SS*	Z20028*
3/8-24	1.625	1.125	.220	.180	.360	.150	.375	Z20015SS	Z20015

\*Head Width is wider than Diameter

## Extension Spring Stud Anchors – Metric

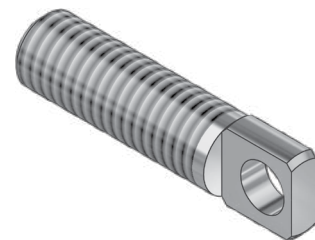
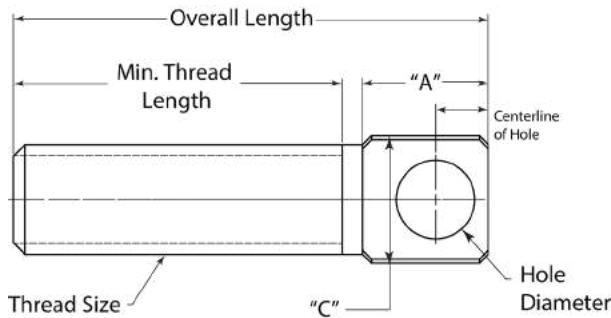
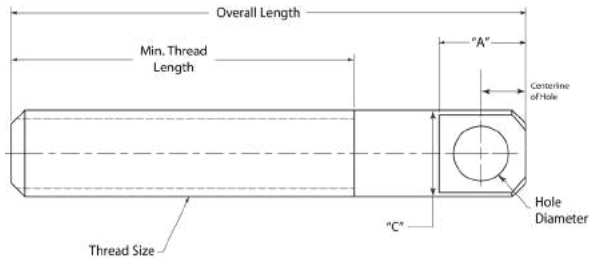
18-8 Stainless Steel  
Steel | Black Oxide



### Product Information

Attach an extension spring to a stud and then thread the stud into your part for a secure connection. Class 6g thread fit.

- AMPG products are made in the USA, precision machined from DFARS compliant material, and lot traceable.
- 18-8 stainless steel material meet ASTM A582.
- Low strength steel has a Rockwell hardness of B55.



### Extension Spring Stud Anchors, Metric

Thread Size	Overall Length	Min. Thread Lg.	Hole Dia	Centerline of Hole to Top of Head	"A"	"B"	"C"	AMPG 18-8 SS Part Number	AMPG Steel Part Number
M3.5	16.00	10.00	2.00	1.80	3.80	1.60	3.50	Z2000M3.5SS	Z2000M3.5
M4	22.00	16.00	2.50	2.10	4.10	1.80	4.00	Z2000M4SS	Z2000M4
M5	28.00	19.00	3.00	2.60	4.80	2.20	5.00	Z2000M5SS	Z2000M5
M6	32.00	22.00	4.00	2.60	6.30	2.70	6.00	Z2000M6SS	Z2000M6
M8	38.00	25.00	5.00	4.20	7.90	3.60	8.00	Z2000M8SS	Z2000M8
M10	41.00	28.00	6.00	4.80	9.10	4.00	10.00	Z2000M10SS	Z2000M10

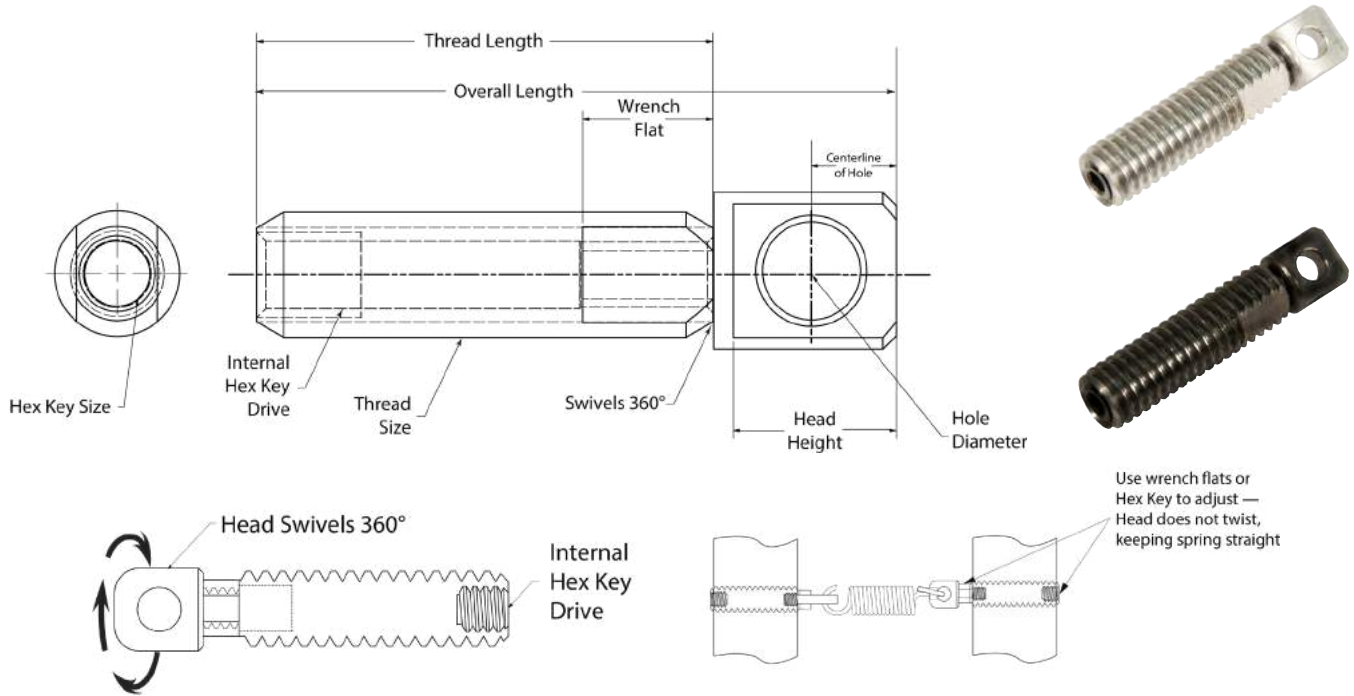
Z-Swivel Spring Anchors – Inch  
18-8 Stainless Steel  
Steel | Black Oxide



Product Information

AMPG’s Z Swivel Spring Anchors allow for the adjustment of tension on the spring, without twisting it. The attachment point to the spring is on a swivel, allowing the spring to be drawn tighter, without changing or twisting the spring position.

They are two ways to adjust the anchor, with a hex key from the bottom of the anchor, or by using the wrench flats on the top of the anchor. Class 2A thread fit. Overall length tolerance is ± .080 inch. Hole size tolerance is +/- .005 inch.



Z-Swivel Spring Stud Anchors, Inch

Thread Size	Min. Thread Length	Nominal Overall Length	Min. Overall Length	Max. Overall Length	Head Height	Diameter	Hole Dia	Centerline of Hole to Top of Head	Hex Key Size	AMPG 18-8 SS Part Number	AMPG Steel Part Number
6-32	.400	0.625	0.545	0.705	.150	.138	.080	.070	.035	Z20050SS	Z20050
6-40	.400	0.625	0.545	0.705	.150	.138	.080	.070	.035	Z20051SS	Z20051
8-32	.625	0.875	0.795	0.955	.160	.164	.100	.085	.035	Z20054SS	Z20054
8-36	.625	0.875	0.795	0.955	.160	.164	.100	.085	.050	Z20055SS	Z20055
10-24	.750	1.128	1.048	1.208	.190	.190	.120	.098	.050	Z20068SS	Z20068
10-32	.750	1.128	1.048	1.208	.190	.190	.120	.098	.062	Z20069SS	Z20069
1/4-20	.875	1.250	1.170	1.330	.250	.250	.150	.130	.078	Z20058SS	Z20058
1/4-28	.875	1.250	1.170	1.330	.250	.250	.150	.130	.078	Z20059SS	Z20059
3/8-16	1.125	1.625	1.545	1.705	.360	.375	.220	.180	.125	Z20065SS	Z20065
3/8-24	1.125	1.625	1.545	1.705	.360	.375	.220	.180	.125	Z20066SS	Z20066

## Z-Swivel Spring Anchor – Metric

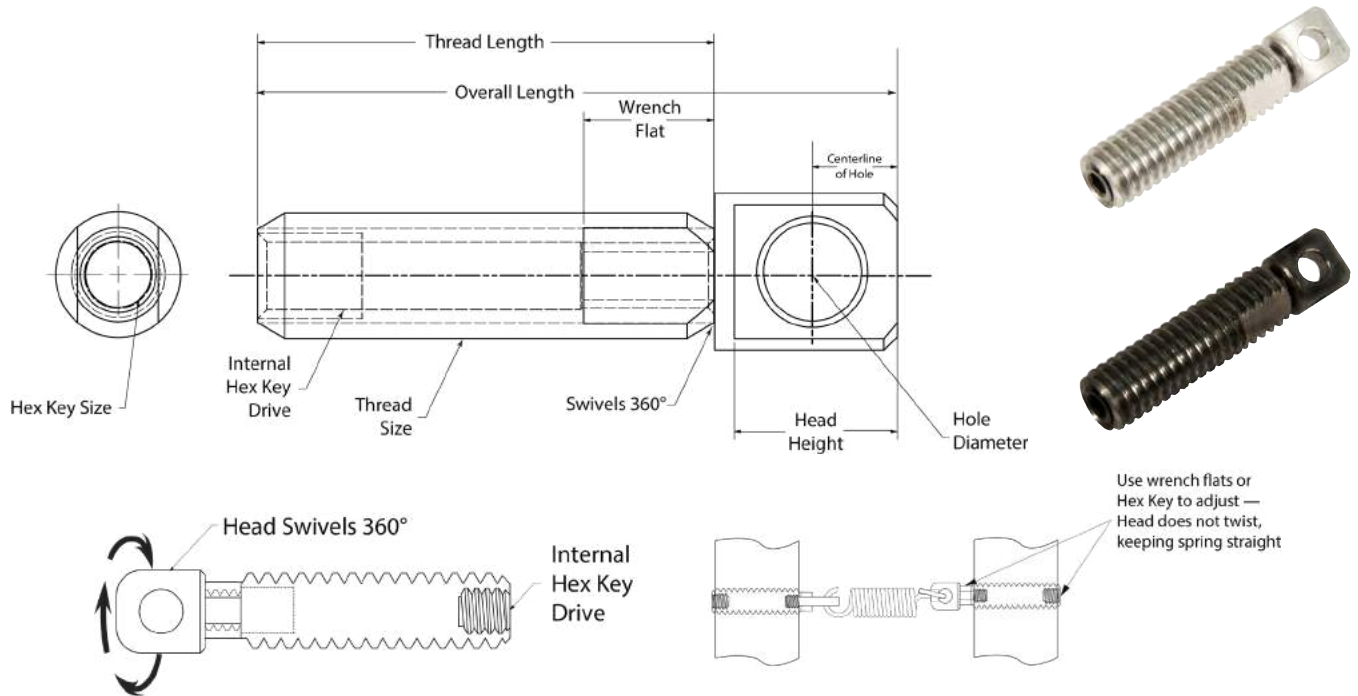
18-8 Stainless Steel  
Steel | Black Oxide



### Product Information

AMPG's Z Swivel Spring Anchors allow for the adjustment of tension on the spring, without twisting it. The attachment point to the spring is on a swivel, allowing the spring to be drawn tighter, without changing or twisting the spring position.

They are two ways to adjust the anchor, with a hex key from the bottom of the anchor, or by using the wrench flats on the top of the anchor. Class 6g thread fit. Overall length tolerance is  $\pm 2$ mm. Hole size tolerance is  $\pm .12$ mm.



### Z-Swivel Spring Stud Anchors, Metric

Thread Size	Thread Pitch	Min. Thread Length	Nominal Overall Length	Min. Overall Length	Max. Overall Length	Head Height	Dia.	Hole Dia.	Centerline of Hole to Top of Head	Hex Key Size	AMPG 18-8 SS Part Number	AMPG Steel Part Number
M3.5	.06	10.00	16.00	14.00	18.00	3.80	3.50	2.00	1.80	0.9	Z2001M3.5SS	Z2001M3.5
M4	.07	16.00	22.00	20.00	24.00	4.10	4.00	2.50	2.10	1.3	Z2001M4SS	Z2001M4
M5	.08	19.00	28.00	26.00	30.00	4.80	5.00	3.00	2.60	1.5	Z2001M5SS	Z2001M5
M6	1.00	22.00	32.00	30.00	34.00	6.30	6.00	4.00	3.10	2	Z2001M6SS	Z2001M6
M8	1.25	25.00	38.00	36.00	40.00	7.90	8.00	5.00	4.20	2.5	Z2001M8SS	Z2001M8
M10	1.50	28.00	41.00	39.00	43.00	9.10	10.00	6.00	4.80	3	Z2001M10SS	Z2001M10



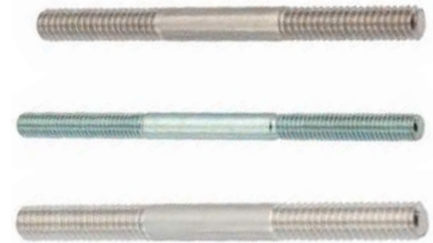
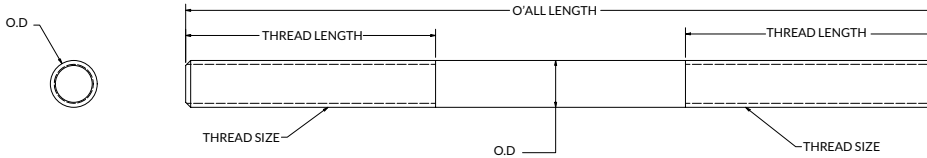
## External Threaded Connecting Rods – Inch

18-8 Stainless Steel  
12L14 Plain Carbon Steel  
Aluminum



### Product Information

Designed for use with right-hand threaded rod ends, these rods have right-hand threads on both ends. Use them for remote valve operators, throttle controllers, shifting mechanisms, and virtually any push/pull assembly.



### 3" O'all Length

Thread Size	Thread Spacing	O'all Length	Thread Length	OD	18-8 SS Part Number	Steel Part Number	Aluminum Part Number
10-24	Coarse	3	1	3/16	LINK21903E-188	LINK21903E	LINK21903EA
10-32	Fine	3	1	3/16	LINK21803E-188	LINK21803EZ	LINK21803EA
1/4-20	Coarse	3	1	1/4	LINK25103E-188	LINK25103E	LINK25103EA
1/4-28	Fine	3	1	1/4	LINK25003E-188	LINK25003EZ	LINK25003EA
5/16-18	Coarse	3	1	5/16	LINK31303E-188	LINK31303E	LINK31303EA
5/16-24	Fine	3	1	5/16	LINK31203E-188	LINK31203EZ	LINK31203EA
3/8-16	Coarse	3	1	3/8	LINK37603E-188	LINK37603E	LINK37603EA
3/8-24	Fine	3	1	3/8	LINK37503E-188	LINK37503E	LINK37503EA
7/16-20	Fine	3	1	7/16	LINK43703E-188	LINK43703E	LINK43703EA
1/2-20	Fine	3	1	1/2	LINK50003E-188	LINK50003E	LINK50003EA

### 6" O'all Length

Thread Size	Thread Spacing	O'all Length	Thread Length	OD	18-8 SS Part Number	Steel Part Number	Aluminum Part Number
10-24	Coarse	6	1-3/16	3/16	LINK21906E-188	LINK21906E	LINK21906EA
10-32	Fine	6	1-3/16	3/16	LINK21806E-188	LINK21806EZ	LINK21806EA
1/4-20	Coarse	6	1-1/2	1/4	LINK251016E-188	LINK25106E	LINK25106EA
1/4-28	Fine	6	1-1/2	1/4	LINK25006E-188	LINK25006EZ	LINK25006EA
5/16-18	Coarse	6	1-5/8	5/16	LINK31306E-188	LINK31306E	LINK31306EA
5/16-24	Fine	6	1-5/8	5/16	LINK31206E-188	LINK31206EZ	LINK31206EA
3/8-16	Coarse	6	2	3/8	LINK37606E-188	LINK37606E	LINK37606EA
3/8-24	Fine	6	2	3/8	LINK37506E-188	LINK37506E	LINK37506EA
7/16-20	Fine	6	2	7/16	LINK43706E-188	LINK43706E	LINK43706EA
1/2-13	Coarse	6	2	1/2	LINK50106E-188	LINK50106E	LINK50106EA
1/2-20	Fine	6	2	1/2	LINK50006E-188	LINK50006E	LINK50006EA

## External Threaded Connecting Rod – Inch



### 9" O'all Length

Thread Size	Thread Spacing	O'all Length	Thread Length	OD	18-8 SS Part Number	Steel Part Number	Aluminum Part Number
10-24	Coarse	9	1-3/16	3/16	LINK21909E-188	LINK21909E	LINK21909EA
10-32	Fine	9	1-3/16	3/16	LINK21809E-188	LINK21809EZ	LINK21809EA
1/4-20	Coarse	9	1-1/2	1/4	LINK25109E-188	LINK25109E	LINK25109EA
1/4-28	Fine	9	1-1/2	1/4	LINK25009E-188	LINK25009EZ	LINK25009EA
5/16-18	Coarse	9	1-5/8	5/16	LINK31309E-188	LINK31309E	LINK31309EA
5/16-24	Fine	9	1-5/8	5/16	LINK31209E-188	LINK31209EZ	LINK31209EA
3/8-16	Coarse	9	2	3/8	LINK37609E-188	LINK37609E	LINK37609EA
3/8-24	Fine	9	2	3/8	LINK37509E-188	LINK37509E	LINK37509EA
7/16-20	Fine	9	2	7/16	LINK43709E-188	LINK43709E	LINK43709EA
1/2-13	Coarse	9	2	1/2	LINK50109E-188	LINK50109E	LINK50109EA
1/2-20	Fine	9	2	1/2	LINK50009E-188	LINK50009E	LINK50009EA

### 12" O'all Length

Thread Size	Thread Spacing	O'all Length	Thread Length	OD	18-8 SS Part Number	Steel Part Number	Aluminum Part Number
10-24	Coarse	12	1-3/16	3/16	LINK21912E-188	LINK21912E	LINK21912EA
10-32	Fine	12	1-3/16	3/16	LINK21812E-188	LINK21812EZ	LINK21812EA
1/4-20	Coarse	12	1-1/2	1/4	LINK25112E-188	LINK25112E	LINK25112EA
1/4-28	Fine	12	1-1/2	1/4	LINK25012E-188	LINK25012EZ	LINK25012EA
5/16-18	Coarse	12	1-5/8	5/16	LINK31312E-188	LINK31212E	LINK31312EA
5/16-24	Fine	12	1-5/8	5/16	LINK31212E-188	LINK31212EZ	LINK31212EA
3/8-16	Coarse	12	2	3/8	LINK37612E-188	LINK37612E	LINK37612EA
3/8-24	Fine	12	2	3/8	LINK37512E-188	LINK37512E	LINK37512EA
7/16-20	Fine	12	2	7/16	LINK43712E-188	LINK43712E	LINK43712EA
1/2-13	Coarse	12	2	1/2	LINK50112E-188	LINK50112E	LINK50112EA
1/2-20	Fine	12	2	1/2	LINK50012E-188	LINK50012E	LINK50012EA
5/8-11	Coarse	12	3-5/8	5/8	LINK62612E-188	LINK62612E	LINK62612EA
5/8-18	Fine	12	3-5/8	5/8	LINK62512E-188	LINK62512E	LINK62512EA

## External Threaded Connecting Rod – Inch



## 18" O'all Length

Thread Size	Thread Spacing	O'all Length	Thread Length	OD	18-8 SS Part Number	Steel Part Number	Aluminum Part Number
1/4-28	Fine	18	1-1/2	1/4	LINK25018E-188	LINK25018EZ	LINK25018EA
5/16-24	Fine	18	1-5/8	5/16	LINK31218E-188	LINK31218EZ	LINK31218EA
3/8-24	Fine	18	2	3/8	LINK37518E-188	LINK37518E	LINK37518EA
7/16-20	Fine	18	2	7/16	LINK43718E-188	LINK43718E	LINK43718EA
1/2-13	Coarse	18	2	1/2	LINK50118E-188	LINK50118E	LINK50118EA
1/2-20	Fine	18	2	1/2	LINK50018E-188	LINK50018E	LINK50018EA
5/8-11	Coarse	18	3-5/8	5/8	LINK62618E-188	LINK62618E	LINK62618EA
5/8-18	Fine	18	3-5/8	5/8	LINK62518E-188	LINK62518E	LINK62518EA
3/4-10	Coarse	18	3-5/8	3/4	LINK75118E-188	LINK75118E	LINK75118EA
3/4-16	Fine	18	3-5/8	3/4	LINK75018E-188	LINK75018E	LINK75018EA

## 24" O'all Length

Thread Size	Thread Spacing	O'all Length	Thread Length	OD	18-8 SS Part Number	Steel Part Number	Aluminum Part Number
5/16-24	Fine	24	1-5/8	5/16	LINK31224E-188	LINK31224EZ	LINK31224EA
3/8-24	Fine	24	2	3/8	LINK37524E-188	LINK37524E	LINK37524EA
7/16-20	Fine	24	2	7/16	LINK43724E-188	LINK43724E	LINK43724EA
1/2-13	Coarse	24	2	1/2	LINK50124E-188	LINK50124E	LINK50124EA
1/2-20	Fine	24	2	1/2	LINK50024E-188	LINK50024E	LINK50024EA
5/8-11	Coarse	24	3-5/8	5/8	LINK62624E-188	LINK62624E	LINK62624EA
5/8-18	Fine	24	3-5/8	5/8	LINK62524E-188	LINK62524E	LINK62524EA
3/4-10	Coarse	24	3-5/8	3/4	LINK75124E-188	LINK75124E	LINK75124EA
3/4-16	Fine	24	3-5/8	3/4	LINK75024E-188	LINK75024E	LINK75024EA

## 30" O'all Length

Thread Size	Thread Spacing	O'all Length	Thread Length	OD	18-8 SS Part Number	Steel Part Number	Aluminum Part Number
3/8-24	Fine	30	2	3/8	LINK37530E-188	LINK37530E	LINK37530EA
7/16-20	Fine	30	2	7/16	LINK43730E-188	LINK43730E	LINK43730EA
1/2-20	Fine	30	2	1/2	LINK50030E-188	LINK50030E	LINK50030EA
5/8-11	Coarse	30	3-5/8	5/8	—	—	LINK62630EA
5/8-18	Fine	30	3-5/8	5/8	LINK62530E-188	LINK62530E	LINK62530EA
3/4-16	Fine	30	3-5/8	3/4	LINK75030E-188	LINK75030E	LINK75030EA

## 36" O'all Length

Thread Size	Thread Spacing	O'all Length	Thread Length	OD	18-8 SS Part Number	Steel Part Number	Aluminum Part Number
7/16-20	Fine	36	2	7/16	LINK43736E-188	LINK43736E	LINK43736EA
1/2-20	Fine	36	2	1/2	LINK50036E-188	LINK50036E	LINK50036EA
5/8-18	Fine	36	3-5/8	5/8	LINK62536E-188	LINK62536E	LINK62536EA
3/4-16	Fine	36	3-5/8	3/4	LINK75036E-188	LINK75036E	LINK75036EA

## External Threaded Connecting Rod – Metric

18-8 Stainless Steel  
12L14 Plain Carbon Steel  
Aluminum



### 75mm O'all Length

Thread Size	O'all Length	Thread Length	OD	Thread Spacing	18-8 SS Part Number	Steel Part Number	Aluminum Part Number
M3 x 0.5	75	25	3	Coarse	LINKM3X75E-188	LINKM3X75E	LINKM3X75E-ALUM
M4 x 0.7	75	25	4	Coarse	LINKM4X75E-188	LINKM4X75E	LINKM4X75E-ALUM
M5 x 0.8	75	25	5	Coarse	LINKM5X75E-188	LINKM5X75E	LINKM5X75E-ALUM
M6 x 1	75	25	6	Coarse	LINKM6X75E-188	LINKM6X75E	LINKM6X75E-ALUM
M8 x 1.25	75	25	8	Coarse	LINKM8X75E-188	LINKM8X75E	LINKM8X75E-ALUM
M10 x 1.5	75	25	10	Coarse	LINKM10X75E-188	LINKM10X75E	LINKM10X75E-ALUM
M12 x 1.75	75	25	12	Coarse	LINKM12X75E-188	LINKM12X75E	LINKM12X75E-ALUM

### 150mm O'all Length

Thread Size	O'all Length	Thread Length	OD	Thread Spacing	18-8 SS Part Number	Steel Part Number	Aluminum Part Number
M4 x 0.7	150	25	4	Coarse	LINKM4X150E-188	LINKM4X150E	LINKM4X150E-ALUM
M5 x 0.8	150	30	5	Coarse	LINKM5X150E-188	LINKM5X150E	LINKM5X150E-ALUM
M6 x 1	150	35	6	Coarse	LINKM6X150E-188	LINKM6X150E	LINKM6X150E-ALUM
M8 x 1.25	150	40	8	Coarse	LINKM8X150E-188	LINKM8X150E	LINKM8X150E-ALUM
M10 x 1.5	150	50	10	Coarse	LINKM10X150E-188	LINKM10X150E	LINKM10X150E-ALUM
M12 x 1.75	150	50	12	Coarse	LINKM12X150E-188	LINKM12X150E	LINKM12X150E-ALUM

### 225mm O'all Length

Thread Size	O'all Length	Thread Length	OD	Thread Spacing	18-8 SS Part Number	Steel Part Number	Aluminum Part Number
M5 x 0.8	225	30	5	Coarse	LINKM5X225E-188	LINKM5X225E	LINKM5X225E-ALUM
M6 x 1	225	35	6	Coarse	LINKM6X225E-188	LINKM6X225E	LINKM6X225E-ALUM
M8 x 1.25	225	40	8	Coarse	LINKM8X225E-188	LINKM8X225E	LINKM8X225E-ALUM
M10 x 1.5	225	50	10	Coarse	LINKM10X225E-188	LINKM10X225E	LINKM10X225E-ALUM
M12 x 1.75	225	50	12	Coarse	LINKM12X225E-188	LINKM12X225E	LINKM12X225E-ALUM

## External Threaded Connecting Rod – Metric



## 305mm O'all Length

Thread Size	O'all Length	Thread Length	OD	Thread Spacing	18-8 SS Part Number	Steel Part Number	Aluminum Part Number
M5 x 0.8	225	30	5	Coarse	LINKM5X225E-188	LINKM5X305E	LINKM5X305E-ALUM
M6 x 1	225	35	6	Coarse	LINKM6X225E-188	LINKM6X305E	LINKM6X305E-ALUM
M8 x 1.25	225	40	8	Coarse	LINKM8X225E-188	LINKM8X305E	LINKM8X305E-ALUM
M10 x 1.5	225	50	10	Coarse	LINKM10X225E-188	LINKM10X305E	LINKM10X305E-ALUM
M12 x 1.75	225	50	12	Coarse	LINKM12X225E-188	LINKM12X305E	LINKM12X305E-ALUM
M14 x 2	305	50	14	Coarse	—	LINKM14X305E	LINKM14X305E-ALUM
M16 x 2	305	75	16	Coarse	—	LINKM16X305E	LINKM16X305E-ALUM

## 455mm O'all Length

Thread Size	O'all Length	Thread Length	OD	Thread Spacing	18-8 SS Part Number	Steel Part Number	Aluminum Part Number
M6 x 1	455	35	6	Coarse	LINKM6X455E-188	LINKM6X455E	LINKM6X455E-ALUM
M8 x 1.25	455	40	8	Coarse	LINKM8X455E-188	LINKM8X455E	LINKM8X455E-ALUM
M10 x 1.5	455	50	10	Coarse	LINKM10X455E-188	LINKM10X455E	LINKM10X455E-ALUM
M12 x 1.75	455	50	12	Coarse	LINKM12X455E-188	LINKM12X455E	LINKM12X455E-ALUM
M14 x 2	455	50	14	Coarse	LINKM14X455E-188	LINKM14X455E	LINKM14X455E-ALUM
M16 x 2	455	75	16	Coarse	LINKM16X455E-188	LINKM16X455E	LINKM16X455E-ALUM
M20 x 2.5	455	75	20	Coarse	LINKM20X455E-188	LINKM20X455E	LINKM20X455E-ALUM

## 610mm O'all Length

Thread Size	O'all Length	Thread Length	OD	Thread Spacing	18-8 SS Part Number	Steel Part Number	Aluminum Part Number
M8 x 1.25	610	40	8	Coarse	LINKM8X610E-188	LINKM8X610E	LINKM8X610E-ALUM
M10 x 1.5	610	50	10	Coarse	LINKM10X610E-188	LINKM10X610E	LINKM10X610E-ALUM
M12 x 1.75	610	50	12	Coarse	LINKM12X610E-188	LINKM12X610E	LINKM12X610E-ALUM
M14 x 2	610	50	14	Coarse	LINKM14X610E-188	LINKM14X610E	LINKM14X610E-ALUM
M16 x 2	610	75	16	Coarse	LINKM16X610E-188	LINKM16X610E	LINKM16X610E-ALUM
M20 x 2.5	610	75	20	Coarse	LINKM20X610E-188	LINKM20X610E	LINKM20X610E-ALUM

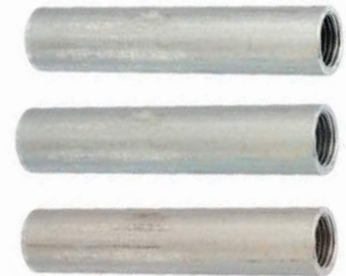
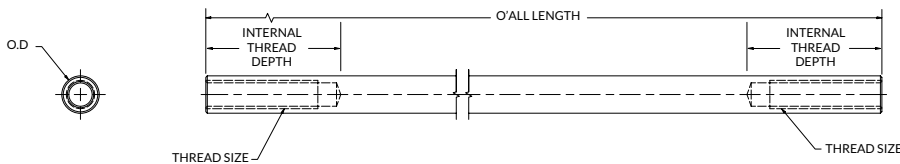
## Internal Thread Connecting Rods – Inch



18-8 Stainless Steel  
12L14 Plain Carbon Steel | Zinc Plated  
Aluminum

### Product Information

Designed for use with right-hand thread rod ends, these rods have right-hand threads on both ends. Use them for remote valve operators, throttle controllers, shifting mechanisms, and virtually any push/pull assembly.



### 3" O'all Length

Thread Size	Thread Spacing	O'all Length	Internal Thread Depth	OD	18-8 SS Part Number	Steel Part Number	Aluminum Part Number
10-24	Coarse	3	3/4	1/4	LINK21903I-188	LINK21903I	LINK21903IA
10-32	Fine	3	3/4	1/4	LINK21803I-188	LINK21803IZ	LINK21803IA
1/4-20	Coarse	3	1	3/8	LINK25103I-188	LINK25103I	LINK25103IA
1/4-28	Fine	3	1	3/8	LINK25003I-188	LINK25003IZ	LINK25003IA
5/16-18	Coarse	3	1 1/4	7/16	LINK31303I-188	LINK31303I	LINK31303IA
5/16-24	Fine	3	1 1/4	7/16	LINK31203I-188	LINK31203IZ	LINK31203IA
3/8-16	Coarse	3	1 1/4	7/16	LINK37603I-188	LINK37603I	LINK37603IA
3/8-24	Fine	3	1 1/4	7/16	LINK37503I-188	LINK37503I	LINK37503IA
1/2-20	Fine	3	1 1/4	5/8	LINK50003I-188	LINK50003I	LINK50003IA

### 6" O'all Length

Thread Size	Thread Spacing	O'all Length	Internal Thread Depth	OD	18-8 SS Part Number	Steel Part Number	Aluminum Part Number
10-24	Coarse	6	3/4	1/4	LINK21906I-188	LINK21906I	LINK21906IA
10-32	Fine	6	3/4	1/4	LINK21806I-188	LINK21806IZ	LINK21806IA
1/4-20	Coarse	6	1	3/8	LINK25106I-188	LINK25106I	LINK25106IA
1/4-28	Fine	6	1	3/8	LINK25006I-188	LINK25006IZ	LINK25006IA
5/16-18	Coarse	6	1 1/4	7/16	LINK31306I-188	LINK31306I	LINK31306IA
5/16-24	Fine	6	1 1/4	7/16	LINK31206I-188	LINK31206IZ	LINK31206IA
3/8-16	Coarse	6	1 1/4	7/16	LINK37606I-188	LINK37606I	LINK37606IA
3/8-24	Fine	6	1 1/4	7/16	LINK37506I-188	LINK37506I	LINK37506IA
7/16-20	Fine	6	1 3/8	9/16	LINK43706I-188	LINK43706I	LINK43706IA
1/2-20	Fine	6	1 1/2	5/8	LINK50006I-188	LINK50006I	LINK50006IA

## Internal Thread Connecting Rod – Inch



## 9" O'all Length

Thread Size	Thread Spacing	O'all Length	Internal Thread Depth	OD	18-8 SS Part Number	Steel Part Number	Aluminum Part Number
10-24	Coarse	9	3/4	1/4	LINK21909I-188	LINK21909I	LINK21909IA
10-32	Fine	9	3/4	1/4	LINK21809I-188	LINK21809IZ	LINK21809IA
1/4-20	Coarse	9	1	3/8	LINK25109I-188	LINK25109I	LINK25109IA
1/4-28	Fine	9	1	3/8	LINK25009I-188	LINK25009IZ	LINK25009IA
5/16-18	Coarse	9	1 1/4	7/16	LINK31309I-188	LINK31309I	LINK31309IA
5/16-24	Fine	9	1 1/4	7/16	LINK31209I-188	LINK31209IZ	LINK31209IA
3/8-16	Coarse	9	1 1/4	7/16	LINK37609I-188	LINK37609I	LINK37609IA
3/8-24	Fine	9	1 1/4	7/16	LINK37509I-188	LINK37509I	LINK37509IA
7/16-20	Fine	9	1 1/4	9/16	LINK43709I-188	LINK43709I	LINK43709IA
1/2-20	Fine	9	1 1/4	5/8	LINK50009I-188	LINK50009I	LINK50009IA

## 12" O'all Length

Thread Size	Thread Spacing	O'all Length	Internal Thread Depth	OD	18-8 SS Part Number	Steel Part Number	Aluminum Part Number
10-24	Coarse	12	3/4	1/4	LINK21912I-188	LINK21912I	LINK21912IA
10-32	Fine	12	3/4	1/4	LINK21812I-188	LINK21812IZ	LINK21812IA
1/4-20	Coarse	12	1	3/8	LINK25112I-188	LINK25112I	LINK25112IA
1/4-28	Fine	12	1	3/8	LINK25012I-188	LINK25012IZ	LINK25012IA
5/16-18	Coarse	12	1 1/4	7/16	LINK31312I-188	LINK31312I	LINK31312IA
5/16-24	Fine	12	1 1/4	7/16	LINK31212I-188	LINK31212IZ	LINK31212IA
3/8-16	Coarse	12	1 1/4	7/16	LINK37612I-188	LINK37612I	LINK37612IA
3/8-24	Fine	12	1 1/4	7/16	LINK37512I-188	LINK37512I	LINK37512IA
7/16-20	Fine	12	1 3/8	9/16	LINK43712I-188	LINK43712I	LINK43712IA
1/2-20	Fine	12	1 1/2	5/8	LINK50012I-188	LINK50012I	LINK50012IA
5/8-18	Fine	12	1 5/8	3/4	LINK62512I-188	LINK62512I	LINK62512IA

## 18" O'all Length

Thread Size	Thread Spacing	O'all Length	Internal Thread Depth	OD	18-8 SS Part Number	Steel Part Number	Aluminum Part Number
1/4-28	Fine	18	1	3/8	LINK25018I-188	LINK25018IZ	LINK25018IA
5/16-24	Fine	18	1 1/4	7/16	LINK31218I-188	LINK31218IZ	LINK31218IA
3/8-24	Fine	18	1 1/4	7/16	LINK37518I-188	LINK37518I	LINK37518IA
7/16-20	Fine	18	1 3/8	9/16	LINK43718I-188	LINK43718I	LINK43718IA
1/2-20	Fine	18	1 1/2	5/8	LINK50018I-188	LINK50018I	LINK50018IA
5/8-18	Fine	18	1 5/8	3/4	LINK62518I-188	LINK62518I	LINK62518IA
3/4-16	Fine	18	1 3/4	7/8	LINK75018I-188	LINK75018I	LINK75018IA

## Internal Thread Connecting Rod – Inch



### 24" O'all Length

Thread Size	Thread Spacing	O'all Length	Internal Thread Depth	OD	18-8 SS Part Number	Steel Part Number	Aluminum Part Number
5/16-24	Fine	24	1 1/4	7/16	LINK31224I-188	LINK31224IZ	LINK31224IA
3/8-24	Fine	24	1 1/4	7/16	LINK37524I-188	LINK37524I	LINK37524IA
7/16-20	Fine	24	1 3/8	9/16	LINK43724I-188	LINK43724I	LINK43724IA
1/2-20	Fine	24	1 1/2	5/8	LINK50024I-188	LINK50024I	LINK50024IA
5/8-18	Fine	24	1 5/8	3/4	LINK62524I-188	LINK62524I	LINK62524IA
3/4-16	Fine	24	1 3/4	7/8	LINK75024I-188	LINK75024I	LINK75024IA

### 30" O'all Length

Thread Size	Thread Spacing	O'all Length	Internal Thread Depth	OD	18-8 SS Part Number	Steel Part Number	Aluminum Part Number
3/8-24	Fine	30	1 1/4	7/16	LINK37530I-188	LINK37530I	LINK37530IA
7/16-20	Fine	30	1 3/8	9/16	LINK43730I-188	LINK43730I	LINK43730IA
1/2-20	Fine	30	1 1/2	5/8	LINK50030I-188	LINK50030I	LINK50030IA
5/8-18	Fine	30	1 5/8	3/4	LINK62530I-188	LINK62530I	LINK62530IA
3/4-16	Fine	30	1 3/4	7/8	LINK75030I-188	LINK75030I	LINK75030IA

### 36" O'all Length

Thread Size	Thread Spacing	O'all Length	Internal Thread Depth	OD	18-8 SS Part Number	Steel Part Number	Aluminum Part Number
7/16-20	Fine	36	1 3/8	9/16	LINK43736I-188	LINK43736I	LINK43736IA
1/2-20	Fine	36	1 1/2	5/8	LINK50036I-188	LINK50036I	LINK50036IA
5/8-18	Fine	36	1 5/8	3/4	LINK62536I-188	LINK62536I	LINK62536IA
3/4-16	Fine	36	1 3/4	7/8	LINK75036I-188	LINK75036I	LINK75036IA

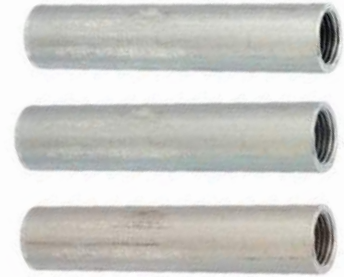
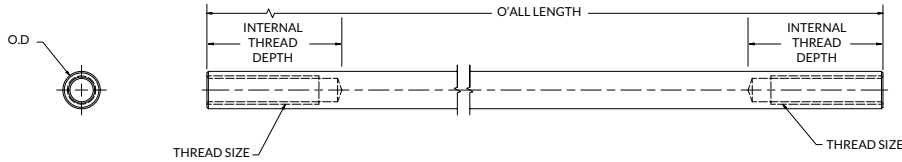


18-8 SS, Steel,  
Aluminum



## Internal Thread Connecting Rods – Metric

18-8 Stainless Steel  
12L14 Plain Carbon Steel  
Aluminum



### 75mm O'all Length

Thread Size	O'all Length	Internal Thread Depth	OD	Thread Spacing	18-8 SS Part Number	Steel Part Number	Aluminum Part Number
M3 x 0.5	75	12	6.3	Coarse	LINKM3X75I-188	LINKM3X75I	LINKM3X75I-ALUM
M4 x 0.7	75	12	6.3	Coarse	LINKM4X75I-188	LINKM4X75I	LINKM4X75I-ALUM
M5 x 0.8	75	12	6.3	Coarse	LINKM5X75I-188	LINKM5X75I	LINKM5X75I-ALUM
M6 x 1	75	16	9.5	Coarse	LINKM6X75I-188	LINKM6X75I	LINKM6X75I-ALUM
M8 x 1.25	75	20	11	Coarse	LINKM8X75I-188	LINKM8X75I	LINKM8X75I-ALUM
M10 x 1.5	75	25	12.5	Coarse	LINKM10X75I-188	LINKM10X75I	LINKM10X75I-ALUM
M12 x 1.75	75	25	15.8	Coarse	LINKM12X75I-188	LINKM12X75I	LINKM12X75I-ALUM

### 150mm O'all Length

Thread Size	O'all Length	Internal Thread Depth	OD	Thread Spacing	18-8 SS Part Number	Steel Part Number	Aluminum Part Number
M5 x 0.8	150	12	6.3	Coarse	LINKM5X150I-188	LINKM5X150I	LINKM5X150I-ALUM
M6 x 1	150	16	9.5	Coarse	LINKM6X150I-188	LINKM6X150I	LINKM6X150I-ALUM
M8 x 1.25	150	20	11	Coarse	LINKM8X150I-188	LINKM8X150I	LINKM8X150I-ALUM
M10 x 1.5	150	25	12.5	Coarse	LINKM10X150I-188	LINKM10X150I	LINKM10X150I-ALUM
M12 x 1.75	150	25	15.8	Coarse	LINKM12X150I-188	LINKM12X150I	LINKM12X150I-ALUM

### 225mm O'all Length

Thread Size	O'all Length	Internal Thread Depth	OD	Thread Spacing	18-8 SS Part Number	Steel Part Number	Aluminum Part Number
M5 x 0.8	225	12	6.3	Coarse	LINKM5X225I-188	LINKM5X225I	LINKM5X225I-ALUM
M6 x 1	225	16	9.5	Coarse	LINKM6X225I-188	LINKM6X225I	LINKM6X225I-ALUM
M8 x 1.25	225	20	11	Coarse	LINKM8X225I-188	LINKM8X225I	LINKM8X225I-ALUM
M10 x 1.5	225	25	12.5	Coarse	LINKM10X225I-188	LINKM10X225I	LINKM10X225I-ALUM
M12 x 1.75	225	25	15.8	Coarse	LINKM12X225I-188	LINKM12X225I	LINKM12X225I-ALUM

## Internal Thread Connecting Rod – Metric



### 305mm O'all Length

Thread Size	O'all Length	Internal Thread Depth	OD	Thread Spacing	18-8 SS Part Number	Steel Part Number	Aluminum Part Number
M5 x 0.8	305	12	6.3	Coarse	LINKM5X305I-188	LINKM5X305I	LINKM5X305I-ALUM
M6 x 1	305	16	9.5	Coarse	LINKM6X305I-188	LINKM6X305I	LINKM6X305I-ALUM
M8 x 1.25	305	20	11	Coarse	LINKM8X305I-188	LINKM8X305I	LINKM8X305I-ALUM
M10 x 1.5	305	25	12.5	Coarse	LINKM10X305I-188	LINKM10X305I	LINKM10X305I-ALUM
M12 x 1.75	305	25	15.8	Coarse	LINKM12X305I-188	LINKM12X305I	LINKM12X305I-ALUM
M16 x 2	305	40	19	Coarse	LINKM16X305I-188	LINKM16X305I	LINKM16X305I-ALUM

### 455mm O'all Length

Thread Size	O'all Length	Internal Thread Depth	OD	Thread Spacing	18-8 SS Part Number	Steel Part Number	Aluminum Part Number
M6 x 1	455	16	9.5	Coarse	LINKM6X455I-188	LINKM6X455I	LINKM6X455I-ALUM
M8 x 1.25	455	20	11	Coarse	LINKM8X455I-188	LINKM8X455I	LINKM8X455I-ALUM
M10 x 1.5	455	25	12.5	Coarse	LINKM10X455I-188	LINKM10X455I	LINKM10X455I-ALUM
M12 x 1.75	455	25	15.8	Coarse	LINKM12X455I-188	LINKM12X455I	LINKM12X455I-ALUM
M16 x 2	455	40	19	Coarse	LINKM16X455I-188	LINKM16X455I	LINKM16X455I-ALUM
M20 x 2.5	455	45	22.2	Coarse	LINKM20X455I-188	LINKM20X455I	LINKM20X455I-ALUM

### 610mm O'all Length

Thread Size	O'all Length	Internal Thread Depth	OD	Thread Spacing	18-8 SS Part Number	Steel Part Number	Aluminum Part Number
M8 x 1.25	610	20	11	Coarse	LINKM8X610I-188	LINKM8X610I	LINKM8X610I-ALUM
M10 x 1.5	610	25	12.5	Coarse	LINKM10X610I-188	LINKM10X610I	LINKM10X610I-ALUM
M12 x 1.75	610	25	15.8	Coarse	LINKM12X610I-188	LINKM12X610I	LINKM12X610I-ALUM
M16 x 2	610	40	19	Coarse	LINKM16X610I-188	LINKM16X610I	LINKM16X610I-ALUM
M20 x 2.5	610	45	22.2	Coarse	LINKM20X610I-188	LINKM20X610I	LINKM20X610I-ALUM

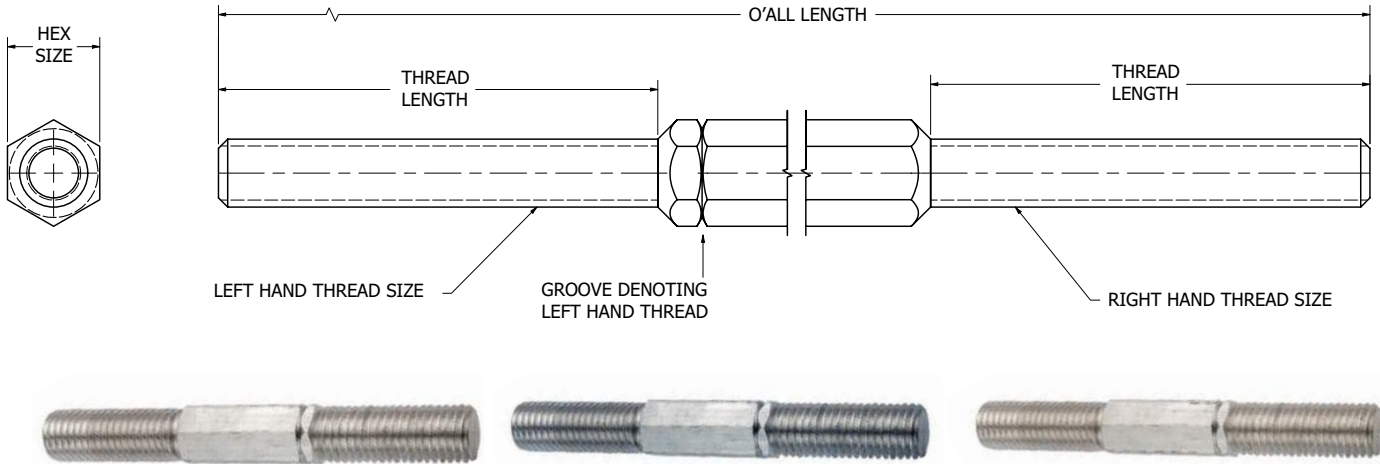
RH/LH External Thread Turnbuckle Rods – Inch



18-8 Stainless Steel  
12L14 Plain Carbon Steel  
Aluminum

Product Information

Similar to turnbuckles, these rods have right-hand threads on one end and left-hand threads on the other so you can make a linkage that adjusts for tension. Add right- and left-hand threaded rod ends to build your linkages. Rods have a hex-shaped body so you can adjust them with a wrench. Groove indicates Left-Hand thread side. Thread Class is 6H.



2" O'all Length

Thread Length	O'all Length	Thread Length	Hex Size	Thread Spacing	18-8 SS Part Number	Steel Part Number	Aluminum Part Number
6-32	2	1/2	3/16	Coarse	LINKH001-188	LINKH001-STL	LINKH001
10-32	2	3/4	1/4	Fine	LINKH004-188	LINKH004-STL	LINKH004
1/4-28	2	3/4	1/4	Fine	LINKH006-188	LINKH006-STL	LINKH006
5/16-24	2	3/4	5/16	Fine	LINKH010-188	LINKH010-STL	LINKH010
3/8-24	2	3/4	3/8	Fine	LINKH014-188	LINKH014-STL	LINKH014
1/2-20	2	3/4	1/2	Fine	LINKH018-188	LINKH018-STL	LINKH018

3" O'all Length

Thread Length	O'all Length	Thread Length	Hex Size	Thread Spacing	18-8 SS Part Number	Steel Part Number	Aluminum Part Number
6-32	3	1/2	3/16	Coarse	LINKH023-188	LINKH023-STL	LINKH023
10-32	3	3/4	1/4	Fine	LINKH026-188	LINKH026-STL	LINKH026
1/4-28	3	3/4	1/4	Fine	LINKH030-188	LINKH030-STL	LINKH030
5/16-24	3	3/4	5/16	Fine	LINKH034-188	LINKH034-STL	LINKH034
3/8-24	3	1	3/8	Fine	LINKH038-188	LINKH038-STL	LINKH038
1/2-20	3	1	1/2	Fine	LINKH042-188	LINKH042-STL	LINKH042

## RH/LH External Thread Turnbuckle Rod – Inch



### 4" O'all Length

Thread Length	O'all Length	Thread Length	Hex Size	Thread Spacing	18-8 SS Part Number	Steel Part Number	Aluminum Part Number
6-32	4	1	3/16	Coarse	LINKH047-188	LINKH047-STL	LINKH047
10-32	4	1	1/4	Fine	LINKH050-188	LINKH050-STL	LINKH050
1/4-20	4	1	1/4	Coarse	—	—	LINKH052
1/4-28	4	1	1/4	Fine	LINKH054-188	LINKH054-STL	LINKH054
5/16-18	4	1 1/4	5/16	Coarse	—	—	LINKH056
5/16-24	4	1 1/4	5/16	Fine	LINKH058-188	LINKH058-STL	LINKH058
5/16-24	4	1 1/4	3/8	Fine	—	—	LINKH060
3/8-24	4	1 1/4	3/8	Fine	LINKH062-188	LINKH062-STL	LINKH062
7/16-20	4	1 1/4	7/16	Fine	LINKH063-188	LINKH063-STL	LINKH063
1/2-13	4	1 1/2	1/2	Coarse	—	—	LINKH064
1/2-20	4	1 1/2	1/2	Fine	LINKH066-188	LINKH066-STL	LINKH066
3/4-10	4	1 3/4	3/4	Coarse	—	—	LINKH068
3/4-16	4	1 3/4	3/4	Fine	LINKH070-188	LINKH070-STL	LINKH070
5/8-18	4	1 3/4	5/8	Fine	LINKH074-188	LINKH074-STL	LINKH074

### 6" O'all Length

Thread Length	O'all Length	Thread Length	Hex Size	Thread Spacing	18-8 SS Part Number	Steel Part Number	Aluminum Part Number
6-32	6	1	3/16	Coarse	LINKH092-188	LINKH092-STL	LINKH092
10-32	6	1 3/16	1/4	Fine	LINKH102-188	LINKH102-STL	LINKH102
1/4-20	6	1 1/2	1/4	Coarse	—	—	LINKH104
1/4-28	6	1 1/2	1/4	Fine	LINKH106-188	LINKH106-STL	LINKH106
5/16-18	6	1 5/8	5/16	Coarse	—	—	LINKH108
5/16-24	6	1 5/8	5/16	Fine	LINKH110-188	LINKH110-STL	LINKH110
3/8-24	6	2	3/8	Fine	LINKH114-188	LINKH114-STL	LINKH114
7/16-20	6	2	7/16	Fine	LINKH115-188	LINKH115-STL	LINKH115
1/2-13	6	2	1/2	Coarse	—	—	LINKH116
1/2-20	6	2	1/2	Fine	LINKH118-188	LINKH118-STL	LINKH118
3/4-10	6	2	3/4	Coarse	—	—	LINKH120
3/4-16	6	2	3/4	Fine	LINKH122-188	LINKH122-STL	LINKH122
5/8-18	6	2	5/8	Fine	LINKH126-188	LINKH126-STL	LINKH126

### 12" O'all Length

Thread Length	O'all Length	Thread Length	Hex Size	Thread Spacing	18-8 SS Part Number	Steel Part Number	Aluminum Part Number
6-32	12	1	3/16	Coarse	LINKH140-188	LINKH140-STL	LINKH140
10-32	12	1 3/16	1/4	Fine	LINKH150-188	LINKH150-STL	LINKH150
1/4-20	12	1 3/16	1/4	Coarse	—	—	LINKH152
1/4-28	12	1 3/16	1/4	Fine	LINKH154-188	LINKH154-STL	LINKH154
5/16-18	12	1 5/8	5/16	Coarse	—	—	LINKH156
5/16-24	12	1 5/8	5/16	Fine	LINKH158-188	LINKH158-STL	LINKH158
3/8-16	12	2	3/8	Coarse	—	—	LINKH160
3/8-24	12	2	3/8	Fine	LINKH162-188	LINKH162-STL	LINKH162
7/16-20	12	2	7/16	Fine	LINKH163-188	LINKH163-STL	LINKH163

RH/LH External Thread Turnbuckle Rod – Inch



12" O'all Length

Thread Length	O'all Length	Thread Length	Hex Size	Thread Spacing	18-8 SS Part Number	Steel Part Number	Aluminum Part Number
1/2-13	12	2	1/2	Coarse	–	–	LINKH164
1/2-20	12	2	1/2	Fine	LINKH166-188	LINKH166-STL	LINKH166
3/4-10	12	2	3/4	Coarse	–	–	LINKH168
3/4-16	12	2	3/4	Fine	LINKH170-188	LINKH170-STL	LINKH170
5/8-18	12	2	5/8	Fine	LINKH174-188	LINKH174-STL	LINKH174

18" O'all Length

Thread Length	O'all Length	Thread Length	Hex Size	Thread Spacing	18-8 SS Part Number	Steel Part Number	Aluminum Part Number
10-32	18	1 3/16	1/4	Fine	LINKH200-188	LINKH200-STL	LINKH200
1/4-20	18	1 1/2	1/4	Coarse	–	–	LINKH202
1/4-28	18	1 1/2	1/4	Fine	LINKH204-188	LINKH204-STL	LINKH204
5/16-18	18	1 5/8	5/16	Coarse	–	–	LINKH206
5/16-24	18	1 5/8	5/16	Fine	LINKH208-188	LINKH208-STL	LINKH208
3/8-16	18	2	3/8	Coarse	–	–	LINKH210
3/8-24	18	2	3/8	Fine	LINKH212-188	LINKH212-STL	LINKH212
7/16-20	18	2	7/16	Fine	LINKH213-188	LINKH213-STL	LINKH213
1/2-13	18	2	1/2	Coarse	–	–	LINKH214
1/2-20	18	2	1/2	Fine	LINKH216-188	LINKH216-STL	LINKH216
3/4-10	18	2	3/4	Coarse	–	–	LINKH218
3/4-16	18	2	3/4	Fine	–	–	LINKH220
5/8-18	18	2	5/8	Fine	LINKH224-188	LINKH224-STL	LINKH224
3/4-16	18	2	3/4	Fine	LINKH220-188	LINKH220-STL	LINKH220

24" O'all Length

Thread Length	O'all Length	Thread Length	Hex Size	Thread Spacing	18-8 SS Part Number	Steel Part Number	Aluminum Part Number
10-32	24	1 3/16	1/4	Fine	LINKH250-188	LINKH250-STL	LINKH250
1/4-20	24	1 1/2	1/4	Coarse	–	–	LINKH252
1/4-28	24	1 1/2	1/4	Fine	LINKH254-188	LINKH254-STL	LINKH254
5/16-18	24	1 5/8	5/16	Coarse	–	–	LINKH256
5/16-24	24	1 5/8	5/16	Fine	LINKH258-188	LINKH258-STL	LINKH258
3/8-16	24	2	3/8	Coarse	–	–	LINKH260
3/8-24	24	2	3/8	Fine	LINKH262-188	LINKH262-STL	LINKH262
7/16-20	24	2	7/16	Fine	LINKH263-188	LINKH263-STL	LINKH263
1/2-13	24	2	1/2	Coarse	–	–	LINKH264
1/2-20	24	2	1/2	Fine	LINKH266-188	LINKH266-STL	LINKH266
3/4-10	24	2	3/4	–	–	–	LINKH268
3/4-16	24	2	3/4	Fine	LINKH270-188	LINKH270-STL	LINKH270
5/8-18	24	2	5/8	Fine	LINKH274-188	LINKH274-STL	LINKH274

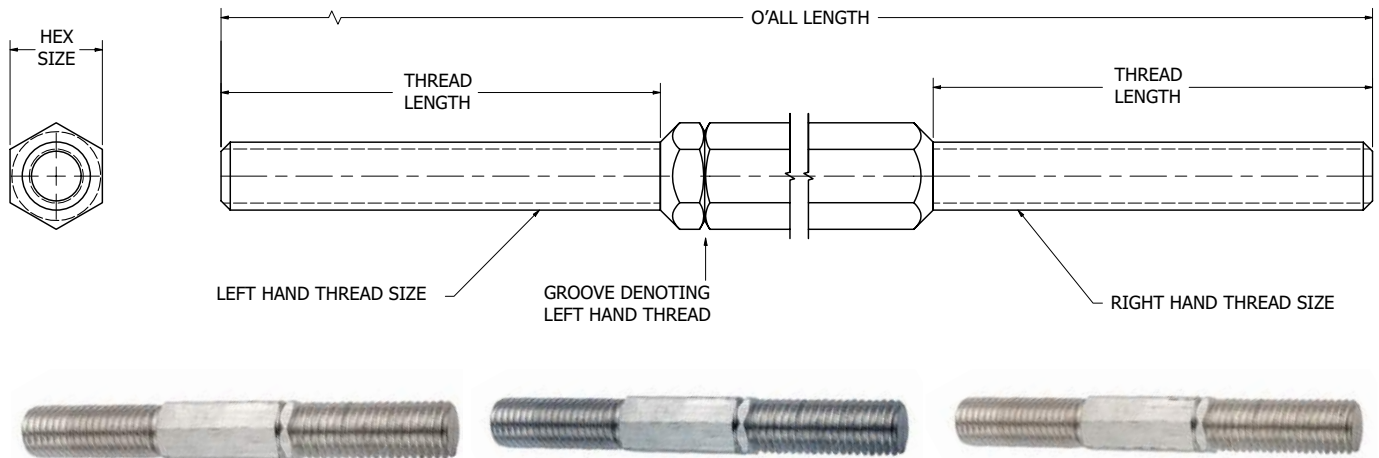


## RH/LH External Thread Turnbuckle Rods – Metric

18-8 Stainless Steel  
12L14 Plain Carbon Steel  
Aluminum

### Product Information

Similar to turnbuckles, these rods have right-hand threads on one end and left-hand threads on the other so you can make a linkage that adjusts for tension. Add right- and left-hand threaded rod ends to build your linkages. Rods have a hex-shaped body so you can adjust them with a wrench. Groove indicates Left-Hand thread side. Thread Class is 6H.



### 50mm O'all Length

Thread Length	O'all Length	Thread Length	Hex Size	Thread Spacing	18-8 SS Part Number	Steel Part Number	Aluminum Part Number
M5 x 0.8	50	12	5	Coarse	LINKHM5X50E-188	LINKHM5X50E	LINKHM5X50E-ALUM
M6 x 1	50	16	6	Coarse	LINKHM6X50E-188	LINKHM6X50E	LINKHM6X50E-ALUM
M8 x 1.25	50	20	8	Coarse	LINKHM8X50E-188	LINKHM8X50E	LINKHM8X50E-ALUM
M10 x 1.5	50	20	10	Coarse	LINKHM10X50E-188	LINKHM10X50E	LINKHM10X50E-ALUM
M12 x 1.75	50	20	12	Coarse	LINKHM12X50E-188	LINKHM12X50E	LINKHM12X50E-ALUM
M14 x 2	50	20	14	Coarse	LINKHM14X50E-188	LINKHM14X50E	LINKHM14X50E-ALUM
M16 x 2	50	20	16	Coarse	LINKHM16X50E-188	LINKHM16X50E	LINKHM16X50E-ALUM
M20 x 2.5	50	20	20	Coarse	LINKHM20X50E-188	LINKHM20X50E	LINKHM20X50E-ALUM

### 76mm O'all Length

Thread Length	O'all Length	Thread Length	Hex Size	Thread Spacing	18-8 SS Part Number	Steel Part Number	Aluminum Part Number
M5 x 0.8	76	12	5	Coarse	LINKHM5X76E-188	LINKHM5X76E	LINKHM5X76E-ALUM
M6 x 1	76	16	6	Coarse	LINKHM6X76E-188	LINKHM6X76E	LINKHM6X76E-ALUM
M8 x 1.25	76	20	8	Coarse	LINKHM8X76E-188	LINKHM8X76E	LINKHM8X76E-ALUM
M10 x 1.5	76	25	10	Coarse	LINKHM10X76E-188	LINKHM10X76E	LINKHM10X76E-ALUM
M12 x 1.75	76	25	12	Coarse	LINKHM12X76E-188	LINKHM12X76E	LINKHM12X76E-ALUM
M14 x 2	76	25	14	Coarse	LINKHM14X76E-188	LINKHM14X76E	LINKHM14X76E-ALUM
M16 x 2	76	25	16	Coarse	LINKHM16X76E-188	LINKHM16X76E	LINKHM16X76E-ALUM
M20 x 2.5	76	25	20	Coarse	LINKHM20X76E-188	LINKHM20X76E	LINKHM20X76E-ALUM

## RH/LH External Thread Turnbuckle Rod – Metric



## 100mm O'all Length

Thread Length	O'all Length	Thread Length	Hex Size	Thread Spacing	18-8 SS Part Number	Steel Part Number	Aluminum Part Number
M5 x 0.8	100	25	5	Coarse	LINKHM5X100E-188	LINKHM5X100E	LINKHM5X100E-ALUM
M6 x 1	100	25	6	Coarse	LINKHM6X100E-188	LINKHM6X100E	LINKHM6X100E-ALUM
M8 x 1.25	100	30	8	Coarse	LINKHM8X100E-188	LINKHM8X100E	LINKHM8X100E-ALUM
M10 x 1.5	100	30	10	Coarse	LINKHM10X100E-188	LINKHM10X100E	LINKHM10X100E-ALUM
M12 x 1.75	100	40	12	Coarse	LINKHM12X100E-188	LINKHM12X100E	LINKHM12X100E-ALUM
M14 x 2	100	40	14	Coarse	LINKHM14X100E-188	LINKHM14X100E	LINKHM14X100E-ALUM
M16 x 2	100	40	16	Coarse	LINKHM16X100E-188	LINKHM16X100E	LINKHM16X100E-ALUM
M20 x 2.5	100	40	20	Coarse	LINKHM20X100E-188	LINKHM20X100E	LINKHM20X100E-ALUM

## 150mm O'all Length

Thread Length	O'all Length	Thread Length	Hex Size	Thread Spacing	18-8 SS Part Number	Steel Part Number	Aluminum Part Number
M5 x 0.8	150	30	5	Coarse	LINKHM5X150E-188	LINKHM5X150E	LINKHM5X150E-ALUM
M6 x 1	150	40	6	Coarse	LINKHM6X150E-188	LINKHM6X150E	LINKHM6X150E-ALUM
M8 x 1.25	150	40	8	Coarse	LINKHM8X150E-188	LINKHM8X150E	LINKHM8X150E-ALUM
M10 x 1.5	150	50	10	Coarse	LINKHM10X150E-188	LINKHM10X150E	LINKHM10X150E-ALUM
M12 x 1.75	150	50	12	Coarse	LINKHM12X150E-188	LINKHM12X150E	LINKHM12X150E-ALUM
M14 x 2	150	50	14	Coarse	LINKHM14X150E-188	LINKHM14X150E	LINKHM14X150E-ALUM
M16 x 2	150	50	16	Coarse	LINKHM16X150E-188	LINKHM16X150E	LINKHM16X150E-ALUM
M20 x 2.5	150	50	20	Coarse	LINKHM20X150E-188	LINKHM20X150E	LINKHM20X150E-ALUM

## 305mm O'all Length

Thread Length	O'all Length	Thread Length	Hex Size	Thread Spacing	18-8 SS Part Number	Steel Part Number	Aluminum Part Number
M5 x 0.8	305	30	5	Coarse	LINKHM5X305E-188	LINKHM5X305E	LINKHM5X305E-ALUM
M6 x 1	305	30	6	Coarse	LINKHM6X305E-188	LINKHM6X305E	LINKHM6X305E-ALUM
M8 x 1.25	305	40	8	Coarse	LINKHM8X305E-188	LINKHM8X305E	LINKHM8X305E-ALUM
M10 x 1.5	305	50	10	Coarse	LINKHM10X305E-188	LINKHM10X305E	LINKHM10X305E-ALUM
M12 x 1.75	305	50	12	Coarse	LINKHM12X305E-188	LINKHM12X305E	LINKHM12X305E-ALUM
M14 x 2	305	50	14	Coarse	LINKHM14X305E-188	LINKHM14X305E	LINKHM14X305E-ALUM
M16 x 2	305	50	16	Coarse	LINKHM16X305E-188	LINKHM16X305E	LINKHM16X305E-ALUM
M20 x 2.5	305	50	20	Coarse	LINKHM20X305E-188	LINKHM20X305E	LINKHM20X305E-ALUM

## RH/LH External Thread Turnbuckle Rod – Metric



### 455mm O'all Length

Thread Length	O'all Length	Thread Length	Hex Size	Thread Spacing	18-8 SS Part Number	Steel Part Number	Aluminum Part Number
M5 x 0.8	455	30	5	Coarse	LINKHM5X455E-188	LINKHM5X455E	LINKHM5X455E-ALUM
M6 x 1	455	40	6	Coarse	LINKHM6X455E-188	LINKHM6X455E	LINKHM6X455E-ALUM
M8 x 1.25	455	40	8	Coarse	LINKHM8X455E-188	LINKHM8X455E	LINKHM8X455E-ALUM
M10 x 1.5	455	50	10	Coarse	LINKHM10X455E-188	LINKHM10X455E	LINKHM10X455E-ALUM
M12 x 1.75	455	50	12	Coarse	LINKHM12X455E-188	LINKHM12X455E	LINKHM12X455E-ALUM
M14 x 2	455	50	14	Coarse	LINKHM14X455E-188	LINKHM14X455E	LINKHM14X455E-ALUM
M16 x 2	455	50	16	Coarse	LINKHM16X455E-188	LINKHM16X455E	LINKHM16X455E-ALUM
M20 x 2.5	455	50	20	Coarse	LINKHM20X455E-188	LINKHM20X455E	LINKHM20X455E-ALUM

### 610mm O'all Length

Thread Length	O'all Length	Thread Length	Hex Size	Thread Spacing	18-8 SS Part Number	Steel Part Number	Aluminum Part Number
M5 x 0.8	610	30	5	Coarse	LINKHM5X610E-188	LINKHM5X610E	LINKHM5X610E-ALUM
M6 x 1	610	40	6	Coarse	LINKHM6X610E-188	LINKHM6X610E	LINKHM6X610E-ALUM
M8 x 1.25	610	40	8	Coarse	LINKHM8X610E-188	LINKHM8X610E	LINKHM8X610E-ALUM
M10 x 1.5	610	50	10	Coarse	LINKHM10X610E-188	LINKHM10X610E	LINKHM10X610E-ALUM
M12 x 1.75	610	50	12	Coarse	LINKHM12X610E-188	LINKHM12X610E	LINKHM12X610E-ALUM
M14 x 2	610	50	14	Coarse	LINKHM14X610E-188	LINKHM14X610E	LINKHM14X610E-ALUM
M16 x 2	610	50	16	Coarse	LINKHM16X610E-188	LINKHM16X610E	LINKHM16X610E-ALUM
M20 x 2.5	610	50	20	Coarse	LINKHM20X610E-188	LINKHM20X610E	LINKHM20X610E-ALUM



18-8 SS, Steel,  
Aluminum

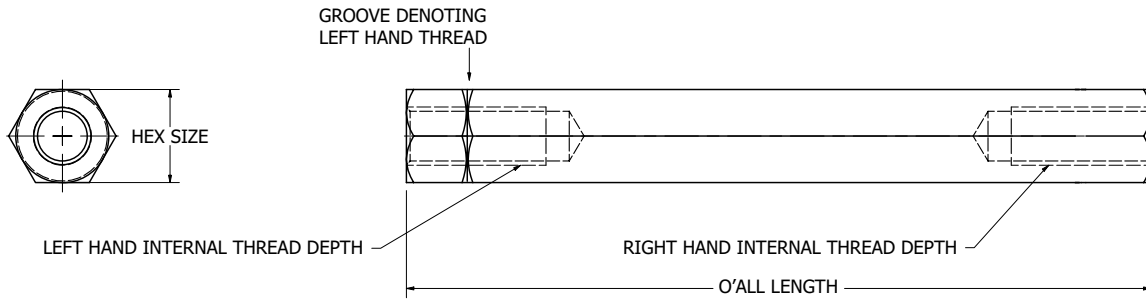
## RH/LH Internal Thread Turnbuckle Rods – Inch



18-8 Stainless Steel  
12L14 Plain Carbon Steel  
Aluminum

### Product Information

Similar to turnbuckles, these rods have right-hand threads on one end and left-hand threads on the other so you can make a linkage that adjusts for tension. Add right- and left-hand threaded rod ends to build your linkages. Rods have a hex-shaped body so you can adjust them with a wrench. Groove indicates Left-Hand thread side.



### 2" O'all Length

Thread Size	O'all Length	Internal Thread Depth	Hex Size	Thread Spacing	18-8 SS Part Number	Steel Part Number	Aluminum Part Number
6-32	2	1/2	5/16	Coarse	LINKT020-188	LINKT020-STL	LINKT020
10-32	2	1/2	5/16	Fine	LINKT040-188	LINKT040-STL	LINKT040
1/4-28	2	3/4	3/8	Fine	LINKT050-188	LINKT050-STL	LINKT050
5/16-24	2	3/4	1/2	Fine	LINKT100-188	LINKT100-STL	LINKT100
3/8-24	2	3/4	1/2	Fine	LINKT120-188	LINKT120-STL	LINKT120
7/16-20	2	3/4	5/8	Fine	LINKT140-188	LINKT140-STL	LINKT140
1/2-20	2	3/4	5/8	Fine	LINKT150-188	LINKT150-STL	LINKT150
5/8-18	2	3/4	3/4	Fine	LINKT180-188	LINKT180-STL	LINKT180
3/4-16	2	3/4	1	Fine	LINKT200-188	LINKT200-STL	LINKT200

### 3" O'all Length

Thread Size	O'all Length	Internal Thread Depth	Hex Size	Thread Spacing	18-8 SS Part Number	Steel Part Number	Aluminum Part Number
6-32	3	1/2	5/16	Coarse	LINKT024-188	LINKT024-STL	LINKT024
10-32	3	1/2	5/16	Fine	LINKT044-188	LINKT044-STL	LINKT044
1/4-28	3	3/4	3/8	Fine	LINKT054-188	LINKT054-STL	LINKT054
5/16-24	3	3/4	1/2	Fine	LINKT104-188	LINKT104-STL	LINKT104
3/8-24	3	1	1/2	Fine	LINKT124-188	LINKT124-STL	LINKT124
7/16-20	3	1	5/8	Fine	LINKT144-188	LINKT144-STL	LINKT144
1/2-20	3	1	5/8	Fine	LINKT154-188	LINKT154-STL	LINKT154
5/8-18	3	1	3/4	Fine	LINKT184-188	LINKT184-STL	LINKT184
3/4-16	3	1	1	Fine	LINKT204-188	LINKT204-STL	LINKT204

## RH/LH Internal Thread Turnbuckle Rod – Inch



### 4" O'all Length

Thread Size	O'all Length	Internal Thread Depth	Hex Size	Thread Spacing	18-8 SS Part Number	Steel Part Number	Aluminum Part Number
6-32	4	1/2	5/16	Coarse	LINKT028-188	LINKT028-STL	LINKT028
10-32	4	1/2	5/16	Fine	LINKT046-188	LINKT046-STL	LINKT046
1/4-28	4	3/4	3/8	Fine	LINKT058-188	LINKT058-STL	LINKT058
5/16-24	4	3/4	1/2	Fine	LINKT108-188	LINKT108-STL	LINKT108
3/8-24	4	1	1/2	Fine	LINKT128-188	LINKT128-STL	LINKT128
7/16-20	4	1	5/8	Fine	LINKT146-188	LINKT146-STL	LINKT146
1/2-20	4	1	5/8	Fine	LINKT158-188	LINKT158-STL	LINKT158
5/8-18	4	1	7/8	Fine	LINKT186-188	LINKT186-STL	LINKT186
3/4-16	4	1	1	Fine	LINKT208-188	LINKT208-STL	LINKT208

### 6" O'all Length

Thread Size	O'all Length	Internal Thread Depth	Hex Size	Thread Spacing	18-8 SS Part Number	Steel Part Number	Aluminum Part Number
6-32	6	1/2	5/16	Coarse	LINKT034-188	LINKT034-STL	LINKT034
10-32	6	1/2	5/16	Fine	LINKT047-188	LINKT047-STL	LINKT047
1/4-28	6	3/4	3/8	Fine	LINKT064-188	LINKT064-STL	LINKT064
5/16-24	6	3/4	1/2	Fine	LINKT114-188	LINKT114-STL	LINKT114
3/8-24	6	1	1/2	Fine	LINKT134-188	LINKT134-STL	LINKT134
7/16-20	6	1	5/8	Fine	LINKT147-188	LINKT147-STL	LINKT147
1/2-20	6	1	5/8	Fine	LINKT164-188	LINKT164-STL	LINKT164
5/8-18	6	1	7/8	Fine	LINKT187-188	LINKT187-STL	LINKT187
3/4-16	6	1	1	Fine	LINKT214-188	LINKT214-STL	LINKT214

18-8 SS, Steel,  
Aluminum

## RH/LH Internal Thread Turnbuckle Rod – Inch



### 12" O'all Length

Thread Size	O'all Length	Internal Thread Depth	Hex Size	Thread Spacing	18-8 SS Part Number	Steel Part Number	Aluminum Part Number
6-32	12	1/2	5/16	Coarse	LINKT036-188	LINKT034-STL	LINKT036
10-32	12	1/2	5/16	Fine	LINKT048-188	LINKT047-STL	LINKT048
1/4-28	12	3/4	3/8	Fine	LINKT070-188	LINKT064-STL	LINKT064
5/16-24	12	3/4	1/2	Fine	LINKT116-188	LINKT114-STL	LINKT114
3/8-24	12	1	1/2	Fine	LINKT136-188	LINKT134-STL	LINKT134
7/16-20	12	1	5/8	Fine	LINKT148-188	LINKT147-STL	LINKT148
1/2-20	12	1	5/8	Fine	LINKT166-188	LINKT164-STL	LINKT164
5/8-18	12	1	7/8	Fine	LINKT188-188	LINKT187-STL	LINKT188
3/4-16	12	1	1	Fine	LINKT218-188	LINKT214-STL	LINKT218

### 18" O'all Length

Thread Size	O'all Length	Internal Thread Depth	Hex Size	Thread Spacing	18-8 SS Part Number	Steel Part Number	Aluminum Part Number
1/4-28	18	3/4	3/8	Fine	LINKT038-188	LINKT038-STL	LINKT038
5/16-24	18	3/4	1/2	Fine	LINKT049-188	LINKT049-STL	LINKT049
3/8-24	18	1	1/2	Fine	LINKT138-188	LINKT138-STL	LINKT138
7/16-20	18	1	5/8	Fine	LINKT149-188	LINKT149-STL	LINKT149
1/2-20	18	1	5/8	Fine	LINKT169-188	LINKT169-STL	LINKT169
5/8-18	18	1	7/8	Fine	LINKT189-188	LINKT189-STL	LINKT189
3/4-16	18	1	1	Fine	LINKT220-188	LINKT220-STL	LINKT220

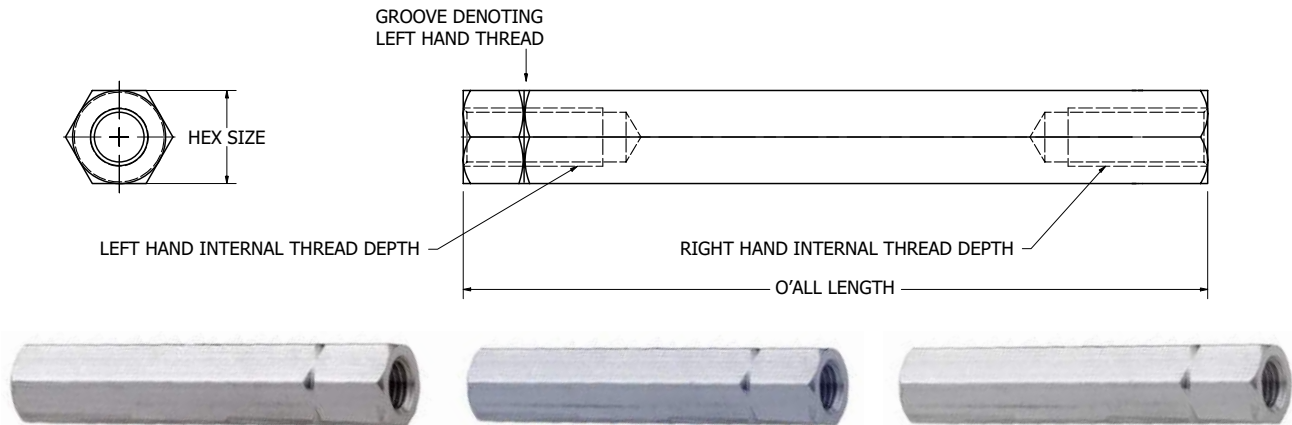


## RH/LH Internal Thread Turnbuckle Rods – Metric

18-8 Stainless Steel  
12L14 Plain Carbon Steel  
Aluminum

### Product Information

Similar to turnbuckles, these rods have right-hand threads on one end and left-hand threads on the other so you can make a linkage that adjusts for tension. Add right- and left-hand threaded rod ends to build your linkages. Rods have a hex-shaped body so you can adjust them with a wrench. Groove indicates Left-Hand thread side. Rods have a 6H Thread Class.



### 50mm O'all Length

Thread Size	O'all Length	Internal Thread Depth	Hex Size	Thread Spacing	18-8 SS Part Number	Steel Part Number	Aluminum Part Number
M5 x 0.8	50	12	10	Coarse	LINKTM5X50I-188	LINKTM5X50I	LINKTM5X50I-ALUM
M6 x 1	50	16	10	Coarse	LINKTM6X50I-188	LINKTM6X50I	LINKTM6X50I-ALUM
M8 x 1.25	50	16	12	Coarse	LINKTM8X50I-188	LINKTM8X50I	LINKTM8X50I-ALUM
M10 x 1.5	50	16	17	Coarse	LINKTM10X50I-188	LINKTM10X50I	LINKTM10X50I-ALUM
M12 x 1.75	50	16	19	Coarse	LINKTM12X50I-188	LINKTM12X50I	LINKTM12X50I-ALUM
M14 x 2	50	16	22	Coarse	LINKTM14X50I-188	LINKTM14X50I	LINKTM14X50I-ALUM
M16 x 2	50	16	24	Coarse	LINKTM16X50I-188	LINKTM16X50I	LINKTM16X50I-ALUM
M20 x 2.5	50	16	30	Coarse	LINKTM20X50I-188	LINKTM20X50I	LINKTM20X50I-ALUM

### 76mm O'all Length

Thread Size	O'all Length	Internal Thread Depth	Hex Size	Thread Spacing	18-8 SS Part Number	Steel Part Number	Aluminum Part Number
M5 x 0.8	76	12	10	Coarse	LINKTM5X76I-188	LINKTM5X76I	LINKTM5X76I-ALUM
M6 x 1	76	16	10	Coarse	LINKTM6X76I-188	LINKTM6X76I	LINKTM6X76I-ALUM
M8 x 1.25	76	20	12	Coarse	LINKTM8X76I-188	LINKTM8X76I	LINKTM8X76I-ALUM
M10 x 1.5	76	20	17	Coarse	LINKTM10X76I-188	LINKTM10X76I	LINKTM10X76I-ALUM
M12 x 1.75	76	20	19	Coarse	LINKTM12X76I-188	LINKTM12X76I	LINKTM12X76I-ALUM
M14 x 2	76	20	22	Coarse	LINKTM14X76I-188	LINKTM14X76I	LINKTM14X76I-ALUM
M16 x 2	76	20	24	Coarse	LINKTM16X76I-188	LINKTM16X76I	LINKTM16X76I-ALUM
M20 x 2.5	76	20	30	Coarse	LINKTM20X76I-188	LINKTM20X76I	LINKTM20X76I-ALUM

## RH/LH Internal Thread Turnbuckle Rods – Metric



## 100mm O'all Length

Thread Size	O'all Length	Internal Thread Depth	Hex Size	Thread Spacing	18-8 SS Part Number	Steel Part Number	Aluminum Part Number
M5 x 0.8	100	12	10	Coarse	LINKTM5X100I-188	LINKTM5X100I	LINKTM5X100I-ALUM
M6 x 1	100	16	10	Coarse	LINKTM6X100I-188	LINKTM6X100I	LINKTM6X100I-ALUM
M8 x 1.25	100	20	12	Coarse	LINKTM8X100I-188	LINKTM8X100I	LINKTM8X100I-ALUM
M10 x 1.5	100	25	17	Coarse	LINKTM10X100I-188	LINKTM10X100I	LINKTM10X100I-ALUM
M12 x 1.75	100	25	19	Coarse	LINKTM12X100I-188	LINKTM12X100I	LINKTM12X100I-ALUM
M14 x 2	100	25	22	Coarse	LINKTM14X100I-188	LINKTM14X100I	LINKTM14X100I-ALUM
M16 x 2	100	25	24	Coarse	LINKTM16X100I-188	LINKTM16X100I	LINKTM16X100I-ALUM
M20 x 2.5	100	25	30	Coarse	LINKTM20X100I-188	LINKTM20X100I	LINKTM20X100I-ALUM

## 150mm O'all Length

Thread Size	O'all Length	Internal Thread Depth	Hex Size	Thread Spacing	18-8 SS Part Number	Steel Part Number	Aluminum Part Number
M5 x 0.8	150	12	10	Coarse	LINKTM5X150I-188	LINKTM5X150I	LINKTM5X150I-ALUM
M6 x 1	150	16	10	Coarse	LINKTM6X150I-188	LINKTM6X150I	LINKTM6X150I-ALUM
M8 x 1.25	150	20	12	Coarse	LINKTM8X150I-188	LINKTM8X150I	LINKTM8X150I-ALUM
M10 x 1.5	150	25	17	Coarse	LINKTM10X150I-188	LINKTM10X150I	LINKTM10X150I-ALUM
M12 x 1.75	150	25	19	Coarse	LINKTM12X150I-188	LINKTM12X150I	LINKTM12X150I-ALUM
M14 x 2	150	25	22	Coarse	LINKTM14X150I-188	LINKTM14X150I	LINKTM14X150I-ALUM
M16 x 2	150	25	24	Coarse	LINKTM16X150I-188	LINKTM16X150I	LINKTM16X150I-ALUM
M20 x 2.5	150	25	30	Coarse	LINKTM20X150I-188	LINKTM20X150I	LINKTM20X150I-ALUM

## 305mm O'all Length

Thread Size	O'all Length	Internal Thread Depth	Hex Size	Thread Spacing	18-8 SS Part Number	Steel Part Number	Aluminum Part Number
M5 x 0.8	305	12	10	Coarse	LINKTM5X305I-188	LINKTM5X305I	LINKTM5X305I-ALUM
M6 x 1	305	16	10	Coarse	LINKTM6X305I-188	LINKTM6X305I	LINKTM6X305I-ALUM
M8 x 1.25	305	20	12	Coarse	LINKTM8X305I-188	LINKTM8X305I	LINKTM8X305I-ALUM
M10 x 1.5	305	25	17	Coarse	LINKTM10X305I-188	LINKTM10X305I	LINKTM10X305I-ALUM
M12 x 1.75	305	25	19	Coarse	LINKTM12X305I-188	LINKTM12X305I	LINKTM12X305I-ALUM
M14 x 2	305	25	22	Coarse	LINKTM14X305I-188	LINKTM14X305I	LINKTM14X305I-ALUM
M16 x 2	305	25	24	Coarse	LINKTM16X305I-188	LINKTM16X305I	LINKTM16X305I-ALUM
M20 x 2.5	305	25	30	Coarse	LINKTM20X305I-188	LINKTM20X305I	LINKTM20X305I-ALUM

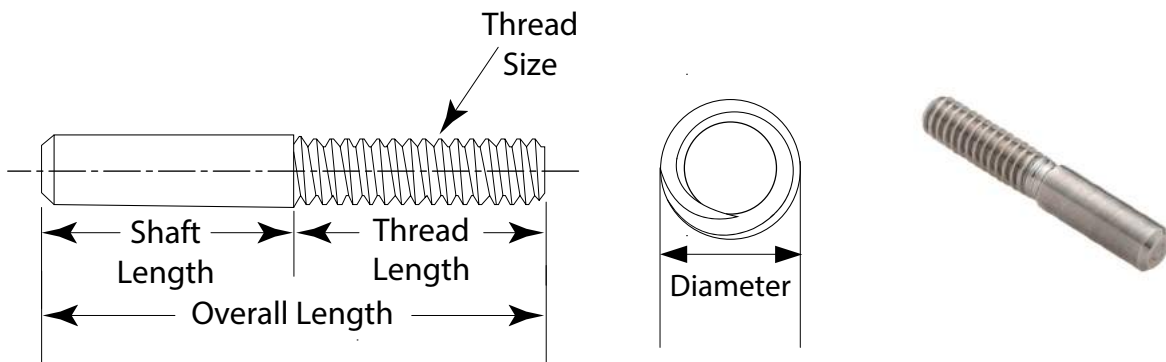
## Partially Threaded Studs – Inch 18-8 Stainless Steel



### Product Information

Use the unthreaded end as a pivot point, hinge, shaft, or locator pin. Made from 18-8 stainless steel, these studs are chemical resistant and may be mildly magnetic. 18-8 stainless steel studs have excellent corrosion resistance. Studs have a Thread Class of 2A. Thread length tolerance is  $\pm 0.015$ ".

- AMPG products are made in the USA, precision machined from DFARS compliant material, and lot traceable.
- 18-8 stainless steel material meet ASTM A582.
- Made from stainless steel, these studs have good chemical resistance and maybe mildly magnetic.



### 6-32 Thread Size

O'all Length	Thread Length	Shaft Length	Dia.	18-8 SS Part Number
1	1/2	1/2	.138	STUDSE06C16-304
1-1/2	3/4	3/4	.138	STUDSE06C24-304
2	3/4	1-1/4	.138	STUDSE06C32-304
2-1/2	3/4	1-3/4	.138	STUDSE06C40-304
3	3/4	2-1/4	.138	STUDSE06C48-304

### 10-24 Thread Size

O'all Length	Thread Length	Shaft Length	Dia.	18-8 SS Part Number
1	1/2	1/2	.190	STUDSE10C16-304
1-1/2	3/4	3/4	.190	STUDSE10C24-304
2	3/4	1-1/4	.190	STUDSE10C32-304
2-1/2	3/4	1-3/4	.190	STUDSE10C40-304
3	3/4	2-1/4	.190	STUDSE10C48-304
3-1/2	3/4	2-3/4	.190	STUDSE10C56-304
4	3/4	3-1/4	.190	STUDSE10C64-304

### 8-32 Thread Size

O'all Length	Thread Length	Shaft Length	Dia.	18-8 SS Part Number
1	1/2	1/2	.164	STUDSE08C16-304
1-1/2	3/4	3/4	.164	STUDSE08C24-304
2	3/4	1-1/4	.164	STUDSE08C32-304
2-1/2	3/4	1-3/4	.164	STUDSE08C40-304
3	3/4	2-1/4	.164	STUDSE08C48-304

### 10-32 Thread Size

O'all Length	Thread Length	Shaft Length	Dia.	18-8 SS Part Number
1	1/2	1/2	.190	STUDSE10F16-304
1-1/2	3/4	3/4	.190	STUDSE10F24-304
2	3/4	1-1/4	.190	STUDSE10F32-304
2-1/2	3/4	1-3/4	.190	STUDSE10F40-304
3	3/4	2-1/4	.190	STUDSE10F48-304
3-1/2	3/4	2-3/4	.190	STUDSE10F56-304
4	3/4	3-1/4	.190	STUDSE10F64-304

18-8 SS

## Partially Threaded Studs – Inch



### 1/4-20 Thread Size

O'all Length	Thread Length	Shaft Length	Dia.	18-8 SS Part Number
1	1/2	1/2	1/4	STUDSE14C16-304
1-1/2	3/4	3/4	1/4	STUDSE14C24-304
2	3/4	1-1/4	1/4	STUDSE14C32-304
2-1/2	3/4	1-3/4	1/4	STUDSE14C40-304
3	3/4	2-1/4	1/4	STUDSE14C48-304
3-1/2	3/4	2-3/4	1/4	STUDSE14C56-304
4	3/4	3-1/4	1/4	STUDSE14C64-304
4-1/2	3/4	3-3/4	1/4	STUDSE14C72-304
5	3/4	4-1/4	1/4	STUDSE14C80-304
5-1/2	3/4	4-3/4	1/4	STUDSE14C88-304
6	3/4	5-1/4	1/4	STUDSE14C96-304

### 1/4-28 Thread Size

O'all Length	Thread Length	Shaft Length	Dia.	18-8 SS Part Number
1	1/2	1/2	1/4	STUDSE14F16-304
1-1/2	3/4	3/4	1/4	STUDSE14F24-304
2	3/4	1-1/4	1/4	STUDSE14F32-304
2-1/2	3/4	1-3/4	1/4	STUDSE14F40-304
3	3/4	2-1/4	1/4	STUDSE14F48-304
3-1/2	3/4	2-3/4	1/4	STUDSE14F56-304
4	3/4	3-1/4	1/4	STUDSE14F64-304
4-1/2	3/4	3-3/4	1/4	STUDSE14F72-304
5	3/4	4-1/4	1/4	STUDSE14F80-304
5-1/2	3/4	4-3/4	1/4	STUDSE14F88-304
6	3/4	5-1/4	1/4	STUDSE14F96-304

### 5/16-18 Thread Size

O'all Length	Thread Length	Shaft Length	Dia.	18-8 SS Part Number
1	1/2	1/2	5/16	STUDSE51C16-304
1-1/2	3/4	3/4	5/16	STUDSE51C24-304
2	3/4	1-1/4	5/16	STUDSE51C32-304
2-1/2	3/4	1-3/4	5/16	STUDSE51C40-304
3	3/4	2-1/4	5/16	STUDSE51C48-304
3-1/2	3/4	2-3/4	5/16	STUDSE51C56-304
4	3/4	3-1/4	5/16	STUDSE51C64-304
4-1/2	3/4	3-3/4	5/16	STUDSE51C72-304
5	3/4	4-1/4	5/16	STUDSE51C80-304
5-1/2	3/4	4-3/4	5/16	STUDSE51C88-304
6	3/4	5-1/4	5/16	STUDSE51C96-304

## Partially Threaded Studs – Inch



### 5/16-24 Thread Size

O'all Length	Thread Length	Shaft Length	Dia.	18-8 SS Part Number
1	1/2	1/2	5/16	STUDSE51F16-304
1-1/2	3/4	3/4	5/16	STUDSE51F24-304
2	3/4	1-1/4	5/16	STUDSE51F32-304
2-1/2	3/4	1-3/4	5/16	STUDSE51F40-304
3	3/4	2-1/4	5/16	STUDSE51F48-304
3-1/2	3/4	2-3/4	5/16	STUDSE51F56-304
4	3/4	3-1/4	5/16	STUDSE51F64-304
4-1/2	3/4	3-3/4	5/16	STUDSE51F72-304
5	3/4	4-1/4	5/16	STUDSE51F80-304
5-1/2	3/4	4-3/4	5/16	STUDSE51F88-304
6	3/4	5-1/4	5/16	STUDSE51F96-304

### 3/8-16 Thread Size

O'all Length	Thread Length	Shaft Length	Dia.	18-8 SS Part Number
1	1/2	1/2	3/8	STUDSE38C16-304

### 3/8-24 Thread Size

O'all Length	Thread Length	Shaft Length	Dia.	18-8 SS Part Number
1	1/2	1/2	3/8	STUDSE38F16-304
1-1/2	5/8	3/4	3/8	STUDSE38F24-304
2	3/4	1-1/4	3/8	STUDSE38F32-304
2-1/2	3/4	1-3/4	3/8	STUDSE38F40-304
3	3/4	2-1/4	3/8	STUDSE38F48-304
3-1/2	3/4	2-3/4	3/8	STUDSE38F56-304
4	1	3	3/8	STUDSE38F64-304
4-1/2	1	3-1/2	3/8	STUDSE38F72-304
5	1	4	3/8	STUDSE38F80-304
5-1/2	1-1/2	4	3/8	STUDSE38F88-304
6	1-1/2	4-1/2	3/8	STUDSE38F96-304



316 SS, 18-8 SS,  
17-4 PH SS

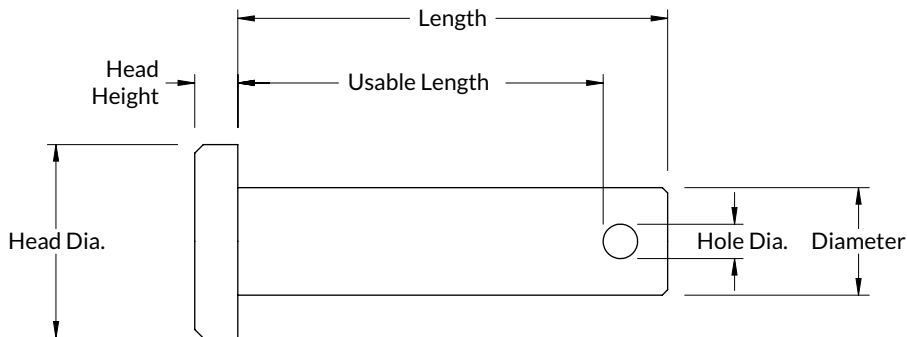
Precision Clevis Pins – Inch



316 Stainless Steel  
18-8 Stainless Steel | Black Oxide  
17-4 PH Stainless Steel

Product Information

These pins combine the locking capabilities of a clevis pin with the precision diameter of a dowel pin for a tight fit. Easier to install and remove than bolts or rivets, they lock in place with a cotter pin (sold separately). Diameter Tolerance is -0.002" to -0.004", Head Diameter Tolerance is -0.015" to 0" and Head Height Tolerance is -0.015" to 0". These pins have a flat head type.



Precision Clevis Pins, Inch

Dia.	Length	Usable Length	Head Dia.	Head Ht.	Hole Dia.	For Max Cotter Pin Dia.	316 SS Part Number	18-8 SS Part Number	18-8 SS, Black Oxide Part Number	17-4 PH SS Part Number
1/8	1/2	5/16	1/4	1/16	3/32	3/64	PIN3021808	PIN3011808	PIN3011808-BX	PIN7441808
	5/8	7/16	5/16	1/16	3/32	1/16	PIN3021810	PIN3011810	PIN3011810-BX	PIN7441810
	3/4	9/16	1/4	1/16	3/32	3/64	PIN3021812	PIN3011812	PIN3011812-BX	PIN7441812
	7/8	11/16	5/16	1/16	3/32	1/16	PIN3021814	PIN3011814	PIN3011814-BX	PIN7441814
1/8	1	13/16	1/4	1/16	3/32	3/64	PIN3021816	PIN3011816	PIN3011816-BX	PIN7441816
	1 1/8	15/16	5/16	1/16	3/32	1/16	PIN3021818	PIN3011818	PIN3011818-BX	PIN7441818
	1 1/4	1 1/16	1/4	1/16	3/32	3/64	PIN3021820	PIN3011820	PIN3011820-BX	PIN7441820
3/16	1/2	5/16	5/16	1/16	3/32	1/16	PIN3023108	PIN3013108	PIN3013108-BX	PIN7443108
	5/8	7/16	5/16	1/16	3/32	1/16	PIN3023110	PIN3013110	PIN3013110-BX	PIN7443110
	3/4	9/16	5/16	1/16	3/32	1/16	PIN3023112	PIN3013112	PIN3013112-BX	PIN7443112
	7/8	11/16	5/16	1/16	3/32	1/16	PIN3023114	PIN3013114	PIN3013114-BX	PIN7443114
3/16	1	13/16	5/16	1/16	3/32	1/16	PIN3023116	PIN3013116	PIN3013116-BX	PIN7443116
	1 1/8	15/16	5/16	1/16	3/32	1/16	PIN3023118	PIN3013118	PIN3013118-BX	PIN7443118
	1 1/4	1 1/16	5/16	1/16	3/32	1/16	PIN3023120	PIN3013120	PIN3013120-BX	PIN7443120
	1 3/8	13/16	5/16	1/16	3/32	1/16	PIN3023122	PIN3013122	PIN3013122-BX	PIN7443122
3/16	1 1/2	15/16	5/16	1/16	3/32	1/16	PIN3023124	PIN3013124	PIN3013124-BX	PIN7443124
	15/8	17/16	5/16	1/16	3/32	1/16	PIN3023126	PIN3013126	PIN3013126-BX	PIN7443126
	13/4	19/16	5/16	1/16	3/32	1/16	PIN3023128	PIN3013128	PIN3013128-BX	PIN7443128
	17/8	1 11/16	5/16	1/16	3/32	1/16	PIN3023130	PIN3013130	PIN3013130-BX	PIN7443130

## Precision Clevis Pins – Inch



Dia.	Length	Usable Length	Head Dia.	Head Ht.	Hole Dia.	For Max Cotter Pin Dia.	316 SS Part Number	18-8 SS Part Number	18-8 SS, Black Oxide Part Number	17-4 PH SS Part Number
3/16	2	1 13/16	5/16	1/16	3/32	1/16	PIN3023132	PIN3013132	PIN3013132-BX	PIN7443132
	2 1/8	1 15/16	5/16	1/16	3/32	1/16	PIN3023134	PIN3013134	PIN3013134-BX	PIN7443134
	2 1/4	2 1/16	5/16	1/16	3/32	1/16	PIN3023136	PIN3013136	PIN3013136-BX	PIN7443136
	2 3/8	2 3/16	5/16	1/16	3/32	1/16	PIN3023138	PIN3013138	PIN3013138-BX	PIN7443138
3/16	2 1/2	2 5/16	5/16	1/16	3/32	1/16	PIN3023140	PIN3013140	PIN3013140-BX	PIN7443140
	2 3/4	2 9/16	5/16	1/16	3/32	1/16	PIN3023144	PIN3013144	PIN3013144-BX	PIN7443144
	3	2 13/16	5/16	1/16	3/32	1/16	PIN3023148	PIN3013148	PIN3013148-BX	PIN7443148
1/4	1/2	5/16	3/8	3/32	3/32	1/16	PIN3021408	PIN3011408	PIN3011408-BX	PIN7441408
	5/8	7/16	3/8	3/32	3/32	1/16	PIN3021410	PIN3011410	PIN3011410-BX	PIN7441410
	3/4	9/16	3/8	3/32	3/32	1/16	PIN3021412	PIN3011412	PIN3011412-BX	PIN7441412
	7/8	11/16	3/8	3/32	3/32	1/16	PIN3021414	PIN3011414	PIN3011414-BX	PIN7441414
1/4	1	13/16	3/8	3/32	3/32	1/16	PIN3021416	PIN3011416	PIN3011416-BX	PIN7441416
	1 1/8	15/16	3/8	3/32	3/32	1/16	PIN3021418	PIN3011418	PIN3011418-BX	PIN7441418
	1 1/4	1 1/16	3/8	3/32	3/32	1/16	PIN3021420	PIN3011420	PIN3011420-BX	PIN7441420
	1 3/8	1 3/16	3/8	3/32	3/32	1/16	PIN3021422	PIN3011422	PIN3011422-BX	PIN7441422
1/4	1 1/2	1 5/16	3/8	3/32	3/32	1/16	PIN3021424	PIN3011424	PIN3011424-BX	PIN7441424
	1 5/8	1 7/16	3/8	3/32	3/32	1/16	PIN3021426	PIN3011426	PIN3011426-BX	PIN7441426
	1 3/4	1 9/16	3/8	3/32	3/32	1/16	PIN3021428	PIN3011428	PIN3011428-BX	PIN7441428
	1 7/8	1 11/16	3/8	3/32	3/32	1/16	PIN3021430	PIN3011430	PIN3011430-BX	PIN7441430
1/4	2	1 13/16	3/8	3/32	3/32	1/16	PIN3021432	PIN3011432	PIN3011432-BX	PIN7441432
	2 1/8	1 15/16	3/8	3/32	3/32	1/16	PIN3021434	PIN3011434	PIN3011434-BX	PIN7441434
	2 1/4	2 1/16	3/8	3/32	3/32	1/16	PIN3021436	PIN3011436	PIN3011436-BX	PIN7441436
	2 3/8	2 3/16	3/8	3/32	3/32	1/16	PIN3021438	PIN3011438	PIN3011438-BX	PIN7441438
1/4	2 1/2	2 5/16	3/8	3/32	3/32	1/16	PIN3021440	PIN3011440	PIN3011440-BX	PIN7441440
	2 3/4	2 9/16	3/8	3/32	3/32	1/16	PIN3021444	PIN3011444	PIN3011444-BX	PIN7441444
	3	2 13/16	3/8	3/32	3/32	1/16	PIN3021448	PIN3011448	PIN3011448-BX	PIN7441448
	3 1/2	3 5/16	3/8	3/32	3/32	1/16	PIN3021456	PIN3011456	PIN3011456-BX	PIN7441456
1/4	4	3 13/16	3/8	3/32	3/32	1/16	PIN3021464	PIN3011464	PIN3011464-BX	PIN7441464
5/16	1/2	1/4	7/16	3/32	9/64	1/8	PIN3025108	PIN3015108	PIN3015108-BX	PIN7445108
	3/4	1/2	7/16	3/32	9/64	1/8	PIN3025112	PIN3015112	PIN3015112-BX	PIN7445112
	7/8	5/8	7/16	3/32	9/64	1/8	PIN3025114	PIN3015114	PIN3015114-BX	PIN7445114
	1	3/4	7/16	3/32	9/64	1/8	PIN3025116	PIN3015116	PIN3015116-BX	PIN7445116
5/16	1 1/8	7/8	7/16	3/32	9/64	1/8	PIN3025118	PIN3015118	PIN3015118-BX	PIN7445118
	1 1/4	1	7/16	3/32	9/64	1/8	PIN3025120	PIN3015120	PIN3015120-BX	PIN7445120
	1 3/8	1 1/8	7/16	3/32	9/64	1/8	PIN3025122	PIN3015122	PIN3015122-BX	PIN7445122
	1 1/2	1 1/4	7/16	3/32	9/64	1/8	PIN3025124	PIN3015124	PIN3015124-BX	PIN7445124

316 SS, 18-8 SS,  
17-4 PH SS

# Power Transmission & Gas Spring Accessories

## Precision Clevis Pins – Inch



Dia.	Length	Usable Length	Head Dia.	Head Ht.	Hole Dia.	For Max Cotter Pin Dia.	316 SS Part Number	18-8 SS Part Number	18-8 SS, Black Oxide Part Number	17-4 PH SS Part Number
5/16	1 5/8	1 3/8	7/16	3/32	9/64	1/8	PIN3025126	PIN3015126	PIN3015126-BX	PIN7445126
	1 3/4	1 1/2	7/16	3/32	9/64	1/8	PIN3025128	PIN3015128	PIN3015128-BX	PIN7445128
	1 7/8	1 5/8	7/16	3/32	9/64	1/8	PIN3025130	PIN3015130	PIN3015130-BX	PIN7445130
	2	1 3/4	7/16	3/32	9/64	1/8	PIN3025132	PIN3015132	PIN3015132-BX	PIN7445132
5/16	2 1/8	1 7/8	7/16	3/32	9/64	1/8	PIN3025134	PIN3015134	PIN3015134-BX	PIN7445134
	2 1/4	2	7/16	3/32	9/64	1/8	PIN3025136	PIN3015136	PIN3015136-BX	PIN7445136
	2 3/8	2 1/8	7/16	3/32	9/64	1/8	PIN3025138	PIN3015138	PIN3015138-BX	PIN7445138
	2 1/2	2 1/4	7/16	3/32	9/64	1/8	PIN3025140	PIN3015140	PIN3015140-BX	PIN7445140
5/16	2 5/8	2 3/8	7/16	3/32	9/64	1/8	PIN3025142	PIN3015142	PIN3015142-BX	PIN7445142
	2 3/4	2 1/2	7/16	3/32	9/64	1/8	PIN3025144	PIN3015144	PIN3015144-BX	PIN7445144
	3	2 3/4	7/16	3/32	9/64	1/8	PIN3025148	PIN3015148	PIN3015148-BX	PIN7445148
	3 1/2	3 1/4	7/16	3/32	9/64	1/8	PIN3025156	PIN3015156	PIN3015156-BX	PIN7445156
5/16	4	3 3/4	7/16	3/32	9/64	1/8	PIN3025164	PIN3015164	PIN3015164-BX	PIN7445164
3/8	3/4	1/2	1/2	1/8	5/32	1/8	PIN3023812	PIN3013812	PIN3013812-BX	PIN7443812
	7/8	5/8	1/2	1/8	5/32	1/8	PIN3023814	PIN3013814	PIN3013814-BX	PIN7443814
	1	3/4	1/2	1/8	5/32	1/8	PIN3023816	PIN3013816	PIN3013816-BX	PIN7443816
	1 1/8	7/8	1/2	1/8	5/32	1/8	PIN3023818	PIN3013818	PIN3013818-BX	PIN7443818
3/8	1 1/4	1	1/2	1/8	5/32	1/8	PIN3023820	PIN3013820	PIN3013820-BX	PIN7443820
	1 3/8	1 1/8	1/2	1/8	5/32	1/8	PIN3023822	PIN3013822	PIN3013822-BX	PIN7443822
	1 1/2	1 1/4	1/2	1/8	5/32	1/8	PIN3023824	PIN3013824	PIN3013824-BX	PIN7443824
	1 5/8	1 3/8	1/2	1/8	5/32	1/8	PIN3023826	PIN3013826	PIN3013826-BX	PIN7443826
3/8	1 3/4	1 1/2	1/2	1/8	5/32	1/8	PIN3023828	PIN3013828	PIN3013828-BX	PIN7443828
	1 7/8	1 5/8	1/2	1/8	5/32	1/8	PIN3023830	PIN3013830	PIN3013830-BX	PIN7443830
	2	1 3/4	1/2	1/8	5/32	1/8	PIN3023832	PIN3013832	PIN3013832-BX	PIN7443832
	2 1/8	1 7/8	1/2	1/8	5/32	1/8	PIN3023834	PIN3013834	PIN3013834-BX	PIN7443834
3/8	2 1/4	2	1/2	1/8	5/32	1/8	PIN3023836	PIN3013836	PIN3013836-BX	PIN7443836
	2 3/8	2 1/8	1/2	1/8	5/32	1/8	PIN3023838	PIN3013838	PIN3013838-BX	PIN7443838
	2 1/2	2 1/4	1/2	1/8	5/32	1/8	PIN3023840	PIN3013840	PIN3013840-BX	PIN7443840
	2 5/8	2 3/8	1/2	1/8	5/32	1/8	PIN3023842	PIN3013842	PIN3013842-BX	PIN7443842
3/8	2 3/4	2 1/2	1/2	1/8	5/32	1/8	PIN3023844	PIN3013844	PIN3013844-BX	PIN7443844
	3	2 3/4	1/2	1/8	5/32	1/8	PIN3023848	PIN3013848	PIN3013848-BX	PIN7443848
	3 1/2	3 1/4	1/2	1/8	5/32	1/8	PIN3023856	PIN3013856	PIN3013856-BX	PIN7443856
	4	3 3/4	1/2	1/8	5/32	1/8	PIN3023864	PIN3013864	PIN3013864-BX	PIN7443864
3/8	4 1/2	4 1/4	1/2	1/8	5/32	1/8	PIN3023872	PIN3013872	PIN3013872-BX	PIN7443872
	5	4 3/4	1/2	1/8	5/32	1/8	PIN3023880	PIN3013880	PIN3013880-BX	PIN7443880

## Precision Clevis Pins – Inch



Dia.	Length	Usable Length	Head Dia.	Head Ht.	Hole Dia.	For Max Cotter Pin Dia.	316 SS Part Number	18-8 SS Part Number	18-8 SS, Black Oxide Part Number	17-4 PH SS Part Number
7/16	3/4	1/2	9/16	5/32	5/32	1/8	PIN3027112	PIN3017112	PIN3017112-BX	PIN7447112
	1	3/4	9/16	5/32	5/32	1/8	PIN3027116	PIN3017116	PIN3017116-BX	PIN7447116
	1 1/4	1	9/16	5/32	5/32	1/8	PIN3027120	PIN3017120	PIN3017120-BX	PIN7447120
	1 1/2	1 1/4	9/16	5/32	5/32	1/8	PIN3027124	PIN3017124	PIN3017124-BX	PIN7447124
7/16	1 3/4	1 1/2	9/16	5/32	5/32	1/8	PIN3027128	PIN3017128	PIN3017128-BX	PIN7447128
	2	1 3/4	9/16	5/32	5/32	1/8	PIN3027132	PIN3017132	PIN3017132-BX	PIN7447132
	2 1/4	2	9/16	5/32	5/32	1/8	PIN3027136	PIN3017136	PIN3017136-BX	PIN7447136
	2 1/2	2 1/4	9/16	5/32	5/32	1/8	PIN3027140	PIN3017140	PIN3017140-BX	PIN7447140
7/16	2 3/4	2 1/2	9/16	5/32	5/32	1/8	PIN3027144	PIN3017144	PIN3017144-BX	PIN7447144
	3	2 3/4	9/16	5/32	5/32	1/8	PIN3027148	PIN3017148	PIN3017148-BX	PIN7447148
	3 1/2	3 1/4	9/16	5/32	5/32	1/8	PIN3027156	PIN3017156	PIN3017156-BX	PIN7447156
	4	3 3/4	9/16	5/32	5/32	1/8	PIN3027164	PIN3017164	PIN3017164-BX	PIN7447164
7/16	4 1/2	4 1/4	9/16	5/32	5/32	1/8	PIN3027172	PIN3017172	PIN3017172-BX	PIN7447172
	5	4 3/4	9/16	5/32	5/32	1/8	PIN3027180	PIN3017180	PIN3017180-BX	PIN7447180
1/2	3/4	1/2	5/8	5/32	5/32	1/8	PIN3021212	PIN3011212	PIN3011212-BX	PIN7441212
	1	3/4	5/8	5/32	5/32	1/8	PIN3021216	PIN3011216	PIN3011216-BX	PIN7441216
	1 1/4	1	5/8	5/32	5/32	1/8	PIN3021220	PIN3011220	PIN3011220-BX	PIN7441220
	1 1/2	1 1/4	5/8	5/32	5/32	1/8	PIN3021224	PIN3011224	PIN3011224-BX	PIN7441224
1/2	1 3/4	1 1/2	5/8	5/32	5/32	1/8	PIN3021228	PIN3011228	PIN3011228-BX	PIN7441228
	2	1 3/4	5/8	5/32	5/32	1/8	PIN3021232	PIN3011232	PIN3011232-BX	PIN7441232
	2 1/4	2	5/8	5/32	5/32	1/8	PIN3021236	PIN3011236	PIN3011236-BX	PIN7441236
	2 1/2	2 1/4	5/8	5/32	5/32	1/8	PIN3021240	PIN3011240	PIN3011240-BX	PIN7441240
1/2	2 3/4	2 1/2	5/8	5/32	5/32	1/8	PIN3021244	PIN3011244	PIN3011244-BX	PIN7441244
	3	2 3/4	5/8	5/32	5/32	1/8	PIN3021248	PIN3011248	PIN3011248-BX	PIN7441248
	3 1/4	3	5/8	5/32	5/32	1/8	PIN3021252	PIN3011252	PIN3011252-BX	PIN7441252
	3 1/2	3 1/4	5/8	5/32	5/32	1/8	PIN3021256	PIN3011256	PIN3011256-BX	PIN7441256
1/2	4	3 3/4	5/8	5/32	5/32	1/8	PIN3021264	PIN3011264	PIN3011264-BX	PIN7441264
	4 1/2	4 1/4	5/8	5/32	5/32	1/8	PIN3021272	PIN3011272	PIN3011272-BX	PIN7441272
	5	4 3/4	5/8	5/32	5/32	1/8	PIN3021280	PIN3011280	PIN3011280-BX	PIN7441280
	6	5 3/4	5/8	5/32	5/32	1/8	PIN3021296	PIN3011296	PIN3011296-BX	PIN7441296
9/16	2	1 3/4	13/16	7/32	5/32	1/8	PIN3029132	PIN3019132	PIN3019132-BX	PIN7449132
	2 1/2	2 1/4	13/16	7/32	5/32	1/8	PIN3029140	PIN3019140	PIN3019140-BX	PIN7449140
	3	2 3/4	13/16	7/32	5/32	1/8	PIN3029148	PIN3019148	PIN3019148-BX	PIN7449148
	3 1/2	3 1/4	13/16	7/32	5/32	1/8	PIN3029156	PIN3019156	PIN3019156-BX	PIN7449156

## Precision Clevis Pins – Inch



Dia.	Length	Usable Length	Head Dia.	Head Ht.	Hole Dia.	For Max Cotter Pin Dia.	316 SS Part Number	18-8 SS Part Number	18-8 SS, Black Oxide Part Number	17-4 PH SS Part Number
9/16	4	3 3/4	13/16	7/32	5/32	1/8	PIN3029164	PIN3019164	PIN3019164-BX	PIN7449164
	1 1/4	1	13/16	7/32	5/32	1/8	PIN3025820	PIN3015820	PIN3015820-BX	PIN7445820
5/8	1 1/2	1 1/4	13/16	7/32	5/32	1/8	PIN3025824	PIN3015824	PIN3015824-BX	PIN7445824
	1 3/4	1 1/2	13/16	7/32	5/32	1/8	PIN3025828	PIN3015828	PIN3015828-BX	PIN7445828
	2	1 3/4	13/16	7/32	5/32	1/8	PIN3025832	PIN3015832	PIN3015832-BX	PIN7445832
5/8	2 1/4	2	13/16	7/32	5/32	1/8	PIN3025836	PIN3015836	PIN3015836-BX	PIN7445836
	2 1/2	2 1/4	13/16	7/32	5/32	1/8	PIN3025840	PIN3015840	PIN3015840-BX	PIN7445840
	2 3/4	2 1/2	13/16	7/32	5/32	1/8	PIN3025844	PIN3015844	PIN3015844-BX	PIN7445844
	3	2 3/4	13/16	7/32	5/32	1/8	PIN3025848	PIN3015848	PIN3015848-BX	PIN7445848
5/8	3 1/4	3	13/16	7/32	5/32	1/8	PIN3025852	PIN3015852	PIN3015852-BX	PIN7445852
	3 1/2	3 1/4	13/16	7/32	5/32	1/8	PIN3025856	PIN3015856	PIN3015856-BX	PIN7445856
	4	3 3/4	13/16	7/32	5/32	1/8	PIN3025864	PIN3015864	PIN3015864-BX	PIN7445864
	4 1/2	4 1/4	13/16	7/32	5/32	1/8	PIN3025872	PIN3015872	PIN3015872-BX	PIN7445872
5/8	5	4 3/4	13/16	7/32	5/32	1/8	PIN3025880	PIN3015880	PIN3015880-BX	PIN7445880
	6	5 3/4	13/16	7/32	5/32	1/8	PIN3025896	PIN3015896	PIN3015896-BX	PIN7445896
3/4	2	1 3/4	15/16	5/16	5/32	1/8	PIN3023432	PIN3013432	PIN3013432-BX	PIN7443432
	2 1/4	2	15/16	5/16	5/32	1/8	PIN3023436	PIN3013436	PIN3013436-BX	PIN7443436
	2 1/2	2 1/4	15/16	5/16	5/32	1/8	PIN3023440	PIN3013440	PIN3013440-BX	PIN7443440
	2 3/4	2 1/2	15/16	5/16	5/32	1/8	PIN3023444	PIN3013444	PIN3013444-BX	PIN7443444
3/4	3	2 3/4	15/16	5/16	5/32	1/8	PIN3023448	PIN3013448	PIN3013448-BX	PIN7443448
	3 1/4	3	15/16	5/16	5/32	1/8	PIN3023452	PIN3013452	PIN3013452-BX	PIN7443452
3/4	3 1/2	3 1/4	15/16	5/16	5/32	1/8	PIN3023456	PIN3013456	PIN3013456-BX	PIN7443456
	4	3 3/4	15/16	5/16	5/32	1/8	PIN3023464	PIN3013464	PIN3013464-BX	PIN7443464
	4 1/2	4 1/4	15/16	5/16	5/32	1/8	PIN3023472	PIN3013472	PIN3013472-BX	PIN7443472
3/4	5	4 3/4	15/16	5/16	5/32	1/8	PIN3023480	PIN3013480	PIN3013480-BX	PIN7443480
	6	5 3/4	15/16	5/16	5/32	1/8	PIN3023496	PIN3013496	PIN3013496-BX	PIN7443496
7/8	2	1 11/16	1 1/32	5/16	7/32	3/16	PIN3027832	PIN3017832	PIN3017832-BX	PIN7447832
	2 1/4	1 15/16	1 1/32	5/16	7/32	3/16	PIN3027836	PIN3017836	PIN3017836-BX	PIN7447836
	2 1/2	2 3/16	1 1/32	5/16	7/32	3/16	PIN3027840	PIN3017840	PIN3017840-BX	PIN7447840
	2 3/4	2 7/16	1 1/32	5/16	7/32	3/16	PIN3027844	PIN3017844	PIN3017844-BX	PIN7447844

## Precision Clevis Pins – Inch



Dia.	Length	Usable Length	Head Dia.	Head Ht.	Hole Dia.	For Max Cotter Pin Dia.	316 SS Part Number	18-8 SS Part Number	18-8 SS, Black Oxide Part Number	17-4 PH SS Part Number
7/8	3	2 11/16	1 1/32	5/16	7/32	3/16	PIN3027848	PIN3017848	PIN3017848-BX	PIN7447848
	3 1/4	2 15/16	1 1/32	5/16	7/32	3/16	PIN3027852	PIN3017852	PIN3017852-BX	PIN7447852
	3 1/2	3 3/16	1 1/32	5/16	7/32	3/16	PIN3027856	PIN3017856	PIN3017856-BX	PIN7447856
	4	3 11/16	1 1/32	5/16	7/32	3/16	PIN3027864	PIN3017864	PIN3017864-BX	PIN7447864
7/8	4 1/2	4 3/16	1 1/32	5/16	7/32	3/16	PIN3027872	PIN3017872	PIN3017872-BX	PIN7447872
	5	4 11/16	1 1/32	5/16	7/32	3/16	PIN3027880	PIN3017880	PIN3017880-BX	PIN7447880
	6	5 11/16	1 1/32	5/16	7/32	3/16	PIN3027896	PIN3017896	PIN3017896-BX	PIN7447896
1	3	2 11/16	13/16	11/32	13/64	3/16	PIN30200148	PIN30100148	PIN30100148-BX	PIN74400148
	3 1/4	2 15/16	13/16	11/32	13/64	3/16	PIN30200152	PIN30100152	PIN30100152-BX	PIN74400152
	3 1/2	3 3/16	13/16	11/32	13/64	3/16	PIN30200156	PIN30100156	PIN30100156-BX	PIN74400156
	4	3 11/16	13/16	11/32	13/64	3/16	PIN30200164	PIN30100164	PIN30100164-BX	PIN74400164
1	4 1/2	4 3/16	13/16	11/32	13/64	3/16	PIN30200172	PIN30100172	PIN30100172-BX	PIN74400172
	5	4 11/16	13/16	11/32	13/64	3/16	PIN30200180	PIN30100180	PIN30100180-BX	PIN74400180
	6	5 11/16	13/16	11/32	13/64	3/16	PIN30200196	PIN30100196	PIN30100196-BX	PIN74400196
1 1/8	3	2 3/8	1 3/8	11/32	1/4	3/16	PIN30201848	PIN30101848	PIN30101848-BX	PIN74401848
	4	3 3/8	1 13/32	11/32	1/4	3/16	PIN30201864	PIN30101864	PIN30101864-BX	PIN74401864
	5	4 3/8	1 13/32	11/32	1/4	3/16	PIN30201880	PIN30101880	PIN30101880-BX	PIN74401880
	6	5 3/8	1 13/32	11/32	1/4	3/16	PIN30201896	PIN30101896	PIN30101896-BX	PIN74401896
1 1/4	3	2 3/8	1 1/2	11/32	1/4	3/16	PIN30201248	PIN30101248	PIN30101248-BX	PIN74401248
	4	3 3/8	1 1/2	11/32	1/4	3/16	PIN30201264	PIN30101264	PIN30101264-BX	PIN74401264
	5	4 3/8	1 1/2	11/32	1/4	3/16	PIN30201280	PIN30101280	PIN30101280-BX	PIN74401280
	6	5 3/8	1 1/2	11/32	1/4	3/16	PIN30201296	PIN30101296	PIN30101296-BX	PIN74401296

## Oversized Clevis Pin – Inch

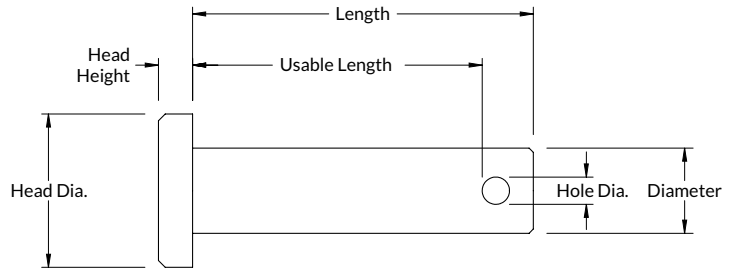


Dia.	Length	Useable Length	Head Dia (min)	Head Dia (max)	Head Height (min)	Head Height (max)	Hole Dia.	18-8 SS Part Number
1/4	3/4	9/16	.360	.380	.080	.100	3/32	PIN6002500750
	1	13/16	.360	.380	.080	.100	3/32	PIN6002501000
	1-1/4	1-1/16	.360	.380	.080	.100	3/32	PIN6002501250
	1-1/2	1-5/16	.360	.380	.080	.100	3/32	PIN6002501500
3/8	1	3/4	.490	.510	.110	.130	1/8	PIN6003751000
	1-1/4	1	.490	.510	.110	.130	1/8	PIN6003751250
	1-1/2	1-1/4	.490	.510	.110	.130	1/8	PIN6003751500
	1-3/4	1-1/2	.490	.510	.110	.130	1/8	PIN6003751750
3/8	2	1-3/4	.490	.510	.110	.130	1/8	PIN6003752000
	3	2-3/4	.490	.510	.110	.130	1/8	PIN6003753000

316 SS, 18-8 SS,  
17-4 PH SS

## Precision Clevis Pins – Metric

316 Stainless Steel  
18-8 Stainless Steel | Plain | Black Oxide  
17-4 PH Stainless Steel



### Product Information

These pins combine the locking capabilities of a clevis pin with the precision diameter of a dowel pin for a tight fit. Easier to install and remove than bolts or rivets, they lock in place with a cotter pin (sold separately). Diameter Tolerance is  $-.05\text{mm}/-.10\text{mm}$ , Head Diameter Tolerance is  $-0.38\text{mm}/0$ , Head Height Tolerance is  $-0.38\text{mm}/0$  and Hole Diameter Tolerance of  $+0.5\text{mm}$ . These pins have a flat head type.



### Precision Clevis Pins, Metric

Dia.	Length	Usable Length	Head Dia.	Head Ht.	Hole Dia.	For Max Cotter Pin Dia.	316 SS Part Number	AMPG 18-8 SS Part Number	AMPG 18-8 SS, Black Oxide Part Number	17-4 PH SS Part Number
8mm	20	15	14	3	2	2	PIN3028X20	PIN301M8X20	PIN3018X20-BX	PIN7448X20
	24	19	14	3	2	2	PIN3028X24	PIN301M8X24	PIN3018X24-BX	PIN7448X24
	25	20	14	3	2	2	PIN3028X25	PIN301M8X25	PIN3018X25-BX	PIN7448X25
	30	25	14	3	2	2	PIN3028X30	PIN301M8X30	PIN3018X30-BX	PIN7448X30
8mm	35	30	14	3	2	2	PIN3028X35	PIN301M8X35	PIN3018X35-BX	PIN7448X35
	50	44	14	3	2	2	PIN3028X50	PIN301M8X50	PIN3018X50-BX	PIN7448X50
10mm	25	19	18	4	3.2	3.2	PIN30210X25	PIN301M10X25	PIN30110X25-BX	PIN74410X25
	30	24	18	4	3.2	3.2	PIN30210X30	PIN301M10X30	PIN30110X30-BX	PIN74410X30
	40	34	18	4	3.2	3.2	PIN30210X40	PIN301M10X40	PIN30110X40-BX	PIN74410X40
	50	44	18	4	3.2	3.2	PIN30210X50	PIN301M10X50	PIN30110X50-BX	PIN74410X50
10mm	60	54	18	4	3.2	3.2	PIN30210X60	PIN301M10X60	PIN30110X60-BX	PIN74410X60
	70	64	18	4	3.2	3.2	PIN30210X70	PIN301M10X70	PIN30110X70-BX	PIN74410X70
12mm	30	23	20	4	3.2	3.2	PIN30212X30	PIN301M12X30	PIN30112X30-BX	PIN74412X30
	35	28	20	4	3.2	3.2	PIN30212X35	PIN301M12X35	PIN30112X35-BX	PIN74412X35
	45	38	20	4	3.2	3.2	PIN30212X45	PIN301M12X45	PIN30112X45-BX	PIN74412X45
	50	43	20	4	3.2	3.2	PIN30212X50	PIN301M12X50	PIN30112X50-BX	PIN74412X50
12mm	60	53	20	4	3.2	3.2	PIN30212X60	PIN301M12X60	PIN30112X60-BX	PIN74412X60
16mm	40	31	25	5	4	4	PIN30216X40	PIN301M16X40	PIN30116X40-BX	PIN74416X40
	50	41	25	5	4	4	PIN30216X50	PIN301M16X50	PIN30116X50-BX	PIN74416X50
	60	51	25	5	4	4	PIN30216X60	PIN301M16X60	PIN30116X60-BX	PIN74416X60
20mm	40	29	30	5	5	5	PIN30220X40	PIN301M20X40	PIN30120X40-BX	PIN74420X40
	50	39	30	5	5	5	PIN30220X50	PIN301M20X50	PIN30120X50-BX	PIN74420X50
	60	49	30	5	5	5	PIN30220X60	PIN301M20X60	PIN30120X60-BX	PIN74420X60
	65	54	30	5	5	5	PIN30220X65	PIN301M20X65	PIN30120X65-BX	PIN74420X65

## Double Drilled Clevis Pins – Inch High Strength Aluminum (7075-T6)



### Product Information

Clevis pins are useful for quick disconnect or temporary fasteners. These pins includes a steel zinc split ring and an aluminum cotter pin. All 3 components come packaged in the same bag, and comprise one complete unit. 1/4 & 3/8 Diameter Pins are packed with 1/16 X 1 Aluminum Cotter Pin. 1/2 & 3/4 Diameter Pins are packed with 1/8 X 2 Aluminum Cotter Pin. 1/4" Diameter Pins have a Steel Zinc Ring thru the head 1.100 OD X .110 Thick. 3/8, 1/2, and 3/4" Diameter Pins have a Steel Zinc Ring thru the head 1.640 OD X .168 Thick. Usable Length = From under the head to start of Cotter Pin Hole.

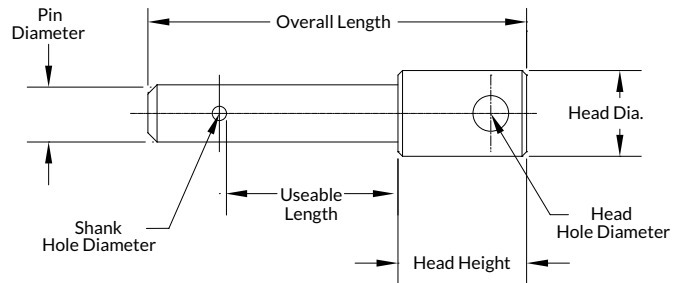
Diameter Tolerance: -0.002 to -0.007

Usable Length Tolerance: +0.015 to -0.015

Head Diameter Tolerance: +0.015 to -0.015

Head Height Tolerance: +0.015 to -0.015

Overall Length Tolerance: +0 to -0.020



Pin Dia.	O'all Length	Useable Length	Head Dia.	Head Height	Head Hole Dia.	Shank Hole Dia.	Aluminum Part Number
1/4	1-3/4	3/4	3/8	9/16	5/32	1/16	PIN500120
	2	1	3/8	9/16	5/32	1/16	PIN500122
	2-1/4	1-1/4	3/8	9/16	5/32	1/16	PIN500124
	2-1/2	1-1/2	3/8	9/16	5/32	1/16	PIN500126
3/8	2-1/4	1	1/2	3/4	1/4	1/16	PIN500130
	2-1/2	1-1/4	1/2	3/4	1/4	1/16	PIN500132
	2-3/4	1-1/2	1/2	3/4	1/4	1/16	PIN500134
	3	1-3/4	1/2	3/4	1/4	1/16	PIN500136
3/8	3-1/4	2	1/2	3/4	1/4	1/16	PIN500138
1/2	3	1-1/2	5/8	15/16	1/4	5/32	PIN500148
	3-1/4	1-3/4	5/8	15/16	1/4	5/32	PIN500150
	3-1/2	2	5/8	15/16	1/4	5/32	PIN500152
	4	2-1/2	5/8	15/16	1/4	5/32	PIN500156
1/2	4-1/4	3	5/8	15/16	1/4	5/32	PIN500158
3/4	4-1/8	2	7/8	1-5/16	1/4	5/32	PIN500165
	4-5/8	2-1/2	7/8	1-5/16	1/4	5/32	PIN500167
	5-1/8	3	7/8	1-5/16	1/4	5/32	PIN500169
	5-5/8	3-1/2	7/8	1-5/16	1/4	5/32	PIN500171
3/4	6-1/8	4	7/8	1-5/16	1/4	5/32	PIN500173



18-8 SS

## Connector Studs (Hood Pins) – Inch



18-8 Stainless Steel

### Product Information

Known as connector studs or hood pins, these clevis pins are threaded so you can bolt them to a component on one end, and lock the other end with the reusable cotter pin. Hairpin cotter length is 2". Stud and cotter pin are 18-8 stainless steel.



Pin Dia.	Pin O'all Length	Useable Length	Thread Size	Thread Length	Connector Stud with Hairpin Cotter Pin Part Number	Connector Stud Only Part Number
5/16"	2	1.4	5/16-24	1	PIN70051F32	PIN70051F32-1
	3	2.4	5/16-24	2	PIN70051F48	PIN70051F48-1
	4	3.4	5/16-24	3	PIN70051F64	PIN70051F64-1
3/8"	2	1.4	3/8-24	1	PIN70038F32	PIN70038F32-1
	3	2.4	3/8-24	2	PIN70038F48	PIN70038F48-1
	4	3.4	3/8-24	3	PIN70038F64	PIN70038F64-1
1/2"	2	1.4	1/2-20	1	PIN70012F32	PIN70012F32-1
	3	2.4	1/2-20	2	PIN70012F48	PIN70012F48-1
	4	3.4	1/2-20	3	PIN70012F64	PIN70012F64-1

## Headless Clevis Pins (Extra Long – Inch



18-8 Stainless Steel

### Product Information

Lengths from 12" to 24" provide extra reach. 18-8 Stainless Steel provides corrosion resistance and strength. Two Stainless Steel Cotter Pins are included with each part.



Pin Dia.	Pin O'all Length	Useable Length	Drilled Holes	S/S Clotter Pin (2) Included	S/S Cotter Pin Part Number	Clevis Pin Part Number
3/16" (.183-.191)	12"	11"	5/64"	5/64" X 3/4"	PIN503010	LINKC005
	16	15	5/64	5/64 X 3/4	PIN503010	LINKC010
	20	19	5/64	5/64 X 3/4	PIN503010	LINKC015
	24	23	5/64	5/64 X 3/4	PIN503010	LINKC020
1/4 (.246-.254)	12	11	5/64	5/64 X 3/4	PIN503010	LINKC180
	16	15	5/64	5/64 X 3/4	PIN503010	LINKC185
	20	19	5/64	5/64 X 3/4	PIN503010	LINKC190
	24	23	5/64	5/64 X 3/4	PIN503010	LINKC195
5/16 (.308-.316)	12	11	7/64	7/64 X 3/4	PIN503015	LINKC280
	16	15	7/64	7/64 X 3/4	PIN503015	LINKC285
	20	19	7/64	7/64 X 3/4	PIN503015	LINKC290
	24	23	7/64	7/64 X 3/4	PIN503015	LINKC295
3/8 (.371-.379)	12	11	7/64	7/64 X 3/4	PIN503015	LINKC370
	16	15	7/64	7/64 X 3/4	PIN503015	LINKC375
	20	19	7/64	7/64 X 3/4	PIN503015	LINKC380
	24	23	7/64	7/64 X 3/4	PIN503015	LINKC385
1/2 (.496-.504)	12	11	5/32	5/32 X 1	PIN503020	LINKC460
	16	15	5/32	5/32 X 1	PIN503020	LINKC465
	20	19	5/32	5/32 X 1	PIN503020	LINKC470
	24	23	5/32	5/32 X 1	PIN503020	LINKC475

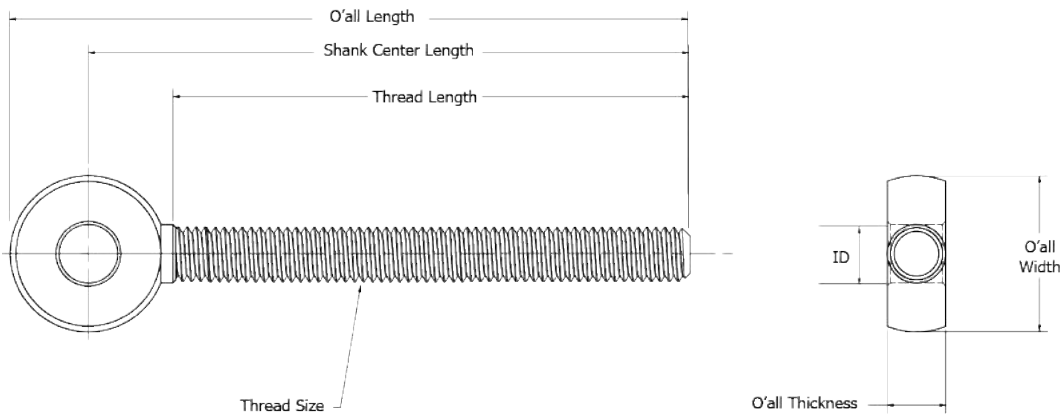
## Rod End Bolts — Inch



- 316 Stainless Steel
- 18-8 Stainless Steel | Black Oxide
- 17-4 PH Stainless Steel
- Brass
- Aluminum | Red Anodized
- Steel 12L14 | Black Oxide
- Steel 4140 | Black Oxide

### Product Information

Rod End Bolts also known as swing bolts, pivoting bolts and hinge eyebolts. These threaded bolts can be cut to length to fit.



### Rod End Bolts, Inch

Thread Size	Shank Center Lg.	ID	Thread Lg.	O'all Wd.	O'all Thickness	O'all Length	316 SS Part Number	18-8 SS Part Number	18-8 SS Black Oxide Part Number	17-4 PH SS Part Number	Brass Part Number
6-32	3/4	1/8	1/2	5/16	5/32	29/32	ZEB10-316	ZEB10	ZEB10-BLACK	ZEB10-174	ZEB10-BR
	1	1/8	3/4	5/16	5/32	1-5/32	ZEB12-316	ZEB12	ZEB12-BLACK	ZEB12-174	ZEB12-BR
	1-1/2	1/8	1-1/4	5/16	5/32	1-21/32	ZEB14-316	ZEB14	ZEB14-BLACK	ZEB14-174	ZEB14-BR
	2	1/8	1-3/4	5/16	5/32	2-5/32	ZEB16-316	ZEB16	ZEB16-BLACK	ZEB16-174	ZEB16-BR
8-32	1	5/32	3/4	5/16	3/16	1-5/32	ZEB20-316	ZEB20	ZEB20-BLACK	ZEB20-174	ZEB20-BR
	1-1/2	5/32	1-1/4	5/16	3/16	1-21/32	ZEB22-316	ZEB22	ZEB22-BLACK	ZEB22-174	ZEB22-BR
	2	5/32	1-3/4	5/16	3/16	2-5/32	ZEB24-316	ZEB24	ZEB24-BLACK	ZEB24-174	ZEB24-BR
10-32	1-1/2	3/16	1	1/2	5/16	1-3/4	ZEB30-316	ZEB30	ZEB30-BLACK	ZEB30-174	ZEB30-BR
	1-1/2	3/16	1	1/2	5/16	1-3/4	—	Z0008-188	—	—	—
	2	3/16	3/4	1/2	3/16	2-1/4	Z0033-188	Z0033-316	—	—	—
	2	3/16	1-1/2	1/2	3/16	2-1/4	ZEB32-316	ZEB32	ZEB32-BLACK	ZEB32-174	ZEB32-BR
	3	3/16	3/4	1/2	3/16	3-1/4	Z0034-188	Z0034-316	—	—	—
1/4-20	3	3/16	2-1/2	1/2	3/16	3-1/4	ZEB34-316	ZEB34	ZEB34-BLACK	ZEB34-174	ZEB34-BR
	2	3/16	1-1/2	5/8	1/4	2-5/16	ZEB40-316	ZEB40	ZEB40-BLACK	ZEB40-174	ZEB40-BR
	3	3/16	2-1/2	5/8	1/4	3-5/16	ZEB42-316	ZEB42	ZEB42-BLACK	ZEB42-174	ZEB42-BR
	1-1/2	1/4	1-1/8	5/8	1/4	1-13/16	ZEB50-316	ZEB50	ZEB50-BLACK	ZEB50-174	ZEB50-BR
	2	1/4	1-1/2	5/8	1/4	2-5/16	ZEB52-316	ZEB52	ZEB52-BLACK	ZEB52-174	ZEB52-BR

316 SS, 18-8 SS,  
17-4 PH SS, Brass

# Power Transmission & Gas Spring Accessories

## Rod End Bolts – Inch



Thread Size	Shank Center Lg.	ID	Thread Lg.	O'all Wd.	O'all Thickness	O'all Length	316 SS Part Number	18-8 SS Part Number	18-8 SS Black Oxide Part Number	17-4 PH SS Part Number	Brass Part Number
1/4-20	3	1/4	2-1/2	5/8	1/4	3-5/16	ZEB54-316	ZEB54	ZEB54-BLACK	ZEB54-174	ZEB54-BR
	3-1/2	1/4	3	5/8	1/4	3-13/16	ZEB56-316	ZEB56	ZEB56-BLACK	ZEB56-174	ZEB56-BR
1/4-28	2	1/4	1-1/2	5/8	1/4	2-5/16	ZEB66-316	ZEB66	ZEB66-BLACK	ZEB66-174	ZEB66-BR
	3	1/4	2-1/2	5/8	1/4	3-5/16	ZEB68-316	ZEB68	ZEB68-BLACK	ZEB68-174	ZEB68-BR
5/16-18	3-1/2	1/4	3	5/8	1/4	3-13/16	ZEB70-316	ZEB70	ZEB70-BLACK	ZEB70-174	ZEB70-BR
	2	1/4	1-1/2	11/16	5/16	2-11/32	ZEB76-316	ZEB76	ZEB76-BLACK	ZEB76-174	ZEB76-BR
5/16-18	3	1/4	2-1/2	11/16	5/16	3-11/32	ZEB78-316	ZEB78	ZEB78-BLACK	ZEB78-174	ZEB78-BR
	1-1/2	5/16	1-1/16	11/16	5/16	1-27/32	ZEB84-316	ZEB84	ZEB84-BLACK	ZEB84-174	ZEB84-BR
	3-1/2	5/16	3-1/16	11/16	5/16	3-27/32	ZEB86-316	ZEB86	ZEB86-BLACK	ZEB86-174	ZEB86-BR
5/16-24	6	5/16	5-9/16	11/16	5/16	6-11/32	ZEB88-316	ZEB88	ZEB88-BLACK	ZEB88-174	ZEB88-BR
	2	1/4	1-1/2	11/16	5/16	2-11/32	ZEB90-316	ZEB90	ZEB90-BLACK	ZEB90-174	ZEB90-BR
3/8-16	3	1/4	2-1/2	11/16	5/16	3-11/32	ZEB92-316	ZEB92	ZEB92-BLACK	ZEB92-174	ZEB92-BR
	3	5/16	2-1/2	13/16	3/8	3-13/32	ZEB94-316	ZEB94	ZEB94-BLACK	ZEB94-174	ZEB94-BR
	4	5/16	3-1/2	13/16	3/8	4-13/32	ZEB96-316	ZEB96	ZEB96-BLACK	ZEB96-174	ZEB96-BR
3/8-16	2	3/8	1-1/2	13/16	3/8	2-13/32	ZEB104-316	ZEB104	ZEB104-BLACK	ZEB104-174	ZEB104-BR
	3-1/2	3/8	3	13/16	3/8	3-29/32	ZEB106-316	ZEB106	ZEB106-BLACK	ZEB106-174	ZEB106-BR
3/8-16	5	3/8	4-1/2	13/16	3/8	5-13/32	ZEB108-316	ZEB108	ZEB108-BLACK	ZEB108-174	ZEB108-BR
	6	3/8	5-1/2	13/16	3/8	6-13/32	ZEB110-316	ZEB110	ZEB110-BLACK	ZEB110-174	ZEB110-BR
3/8-24	3-1/2	3/8	3	13/16	3/8	3-29/32	ZEB116-316	ZEB116	ZEB116-BLACK	ZEB116-174	ZEB116-BR
	5	3/8	4-1/2	13/16	3/8	5-13/32	ZEB118-316	ZEB118	ZEB118-BLACK	ZEB118-174	ZEB118-BR
1/2-13	2-1/2	1/2	1-7/8	1-1/32	1/2	3-1/64	ZEB126-316	ZEB126	ZEB126-BLACK	ZEB126-174	ZEB126-BR
	3-1/2	1/2	2-7/8	1-1/32	1/2	4-1/64	ZEB128-316	ZEB128	ZEB128-BLACK	ZEB128-174	ZEB128-BR
	5	1/2	4-3/16	1-1/32	1/2	5-33/64	ZEB130-316	ZEB130	ZEB130-BLACK	ZEB130-174	ZEB130-BR
1/2-20	6	1/2	5-3/8	1-1/32	1/2	6-33/64	ZEB132-316	ZEB132	ZEB132-BLACK	ZEB132-174	ZEB132-BR
	3-1/2	1/2	2-7/8	1-1/32	1/2	4-1/64	ZEB138-316	ZEB138	ZEB138-BLACK	ZEB138-174	ZEB138-BR
5/8-11	5	1/2	4-3/16	1-1/32	1/2	5-33/64	ZEB140-316	ZEB140	ZEB140-BLACK	ZEB140-174	ZEB140-BR
	3-1/2	5/8	2-3/4	1-5/16	5/8	4-5/32	ZEB146-316	ZEB146	ZEB146-BLACK	ZEB146-174	ZEB146-BR
	5	5/8	4-1/4	1-5/16	5/8	5-21/32	ZEB148-316	ZEB148	ZEB148-BLACK	ZEB148-174	ZEB148-BR
5/8-24	6	5/8	5-1/4	1-5/16	5/8	6-21/32	ZEB150-316	ZEB150	ZEB150-BLACK	ZEB150-174	ZEB150-BR
	3-1/2	5/8	2-3/4	1-5/16	5/8	4-5/32	ZEB156-316	ZEB156	ZEB156-BLACK	ZEB156-174	ZEB156-BR
3/4-10	5	5/8	4-1/4	1-5/16	5/8	5-21/32	ZEB158-316	ZEB158	ZEB158-BLACK	ZEB158-174	ZEB158-BR
	3-1/2	3/4	2-5/8	1-9/16	3/4	4-9/32	ZEB164-316	ZEB164	ZEB164-BLACK	ZEB164-174	ZEB164-BR
	5	3/4	4-1/8	1-9/16	3/4	5-25/32	ZEB166-316	ZEB166	ZEB166-BLACK	ZEB166-174	ZEB166-BR
3/4-16	6	3/4	5-1/8	1-9/16	3/4	6-25/32	ZEB168-316	ZEB168	ZEB168-BLACK	ZEB168-174	ZEB168-BR
	5	3/4	4-1/8	1-9/16	3/4	5-25/32	ZEB174-316	ZEB174	ZEB174-BLACK	ZEB174-174	ZEB174-BR
	6	3/4	5-1/8	1-9/16	3/4	6-25/32	ZEB176-316	ZEB176	ZEB176-BLACK	ZEB176-174	ZEB176-BR

## Rod End Bolts – Inch



### Rod End Bolts, Inch

Thread Size	Shank Center Lg.	ID	Thread Lg.	O'all Wd.	O'all Thickness	O'all Length	316 SS Part Number	18-8 SS Part Number	18-8 SS Black Oxide Part Number	17-4 PH SS Part Number	Brass Part Number
7/8-9	5	7/8	3-13/16	1-7/8	7/8	5-15/16	ZEB180-316	ZEB180	ZEB180-BLACK	ZEB180-174	ZEB180-BR
	6	7/8	4-13/16	1-7/8	7/8	6-15/16	ZEB182-316	ZEB182	ZEB182-BLACK	ZEB182-174	ZEB182-BR
1-8	6	1	4-3/4	2-3/32	1	7-3/64	ZEB186-316	ZEB186	ZEB186-BLACK	ZEB186-174	ZEB186-BR
	8	1	6	2-3/32	1	9-3/64	ZEB188-316	ZEB188	ZEB188-BLACK	ZEB188-174	ZEB188-BR
1-1/4-7	6	1-1/4	4-1/4	2-21/32	1-1/4	7-21/64	ZEB192-316	ZEB192	ZEB192-BLACK	ZEB192-174	ZEB192-BR
	8	1-1/4	6	2-21/32	1-1/4	9-21/64	ZEB194-316	ZEB194	ZEB194-BLACK	ZEB194-174	ZEB194-BR
1-1/2-6	6	1-1/2	4	3-3/32	1-1/2	7-35/64	ZEB198-316	ZEB198	ZEB198-BLACK	ZEB198-174	ZEB198-BR
	8	1-1/2	6	3-3/32	1-1/2	9-35/64	ZEB200-316	ZEB200	ZEB200-BLACK	ZEB200-174	ZEB200-BR



### Rod End Bolts, Inch

Thread Size	Shank Center Lg.	ID	Thread Lg.	O'all Wd.	O'all Thickness	O'all Length	4140 Steel, Black Oxide Part Number	12L14 Steel Black Oxide Part Number
6-32	3/4	1/8	1/2	5/16	5/32	29/32	ZEB10-ALLOY-BX	—
6-32	1	1/8	3/4	5/16	5/32	1-5/32	ZEB12-ALLOY-BX	—
6-32	1-1/2	1/8	1-1/4	5/16	5/32	1-21/32	ZEB14-ALLOY-BX	—
6-32	2	1/8	1-3/4	5/16	5/32	2-5/32	ZEB16-ALLOY-BX	—
8-32	1	5/32	3/4	5/16	3/16	1-5/32	ZEB20-ALLOY-BX	—
8-32	1-1/2	5/32	1-1/4	5/16	3/16	1-21/32	ZEB22-ALLOY-BX	—
8-32	2	5/32	1-3/4	5/16	3/16	2-5/32	ZEB24-ALLOY-BX	—
10-32	1-1/2	3/16	1	1/2	5/16	1-3/4	Z0008-414	Z0008-12L
10-32	2	3/16	1-1/2	1/2	3/16	2-1/4	ZEB32-ALLOY-BX	—
10-32	3	3/16	3/4	1/2	3/16	3-1/4	Z0034-414	—
10-32	3	3/16	2-1/2	1/2	3/16	3-1/4	ZEB34-ALLOY-BX	—
1/4-20	2	3/16	1-1/2	5/8	1/4	2-5/16	ZEB40-ALLOY-BX	—
1/4-20	3	3/16	2-1/2	5/8	1/4	3-5/16	ZEB42-ALLOY-BX	—
1/4-20	2	1/4	1-1/2	5/8	1/4	2-5/16	ZEB52-ALLOY-BX	—
1/4-20	3	1/4	2-1/2	5/8	1/4	3-5/16	ZEB54-ALLOY-BX	—
1/4-28	2	1/4	1-1/2	5/8	1/4	2-5/16	ZEB66-ALLOY-BX	—
1/4-28	3	1/4	2-1/2	5/8	1/4	3-5/16	ZEB68-ALLOY-BX	—
5/16-18	2	1/4	1-1/2	11/16	5/16	2-11/32	ZEB76-ALLOY-BX	—
5/16-18	3	1/4	2-1/2	11/16	5/16	3-11/32	ZEB78-ALLOY-BX	—

## Rod End Bolts – Inch



## Rod End Bolts, Inch

Thread Size	Shank Center Lg.	ID	Thread Lg.	O'all Wd.	O'all Thickness	O'all Length	4140 Steel, Black Oxide Part Number	12L14 Steel Black Oxide Part Number
5/16-24	2	1/4	1-1/2	11/16	5/16	2-11/32	ZEB90-ALLOY-BX	–
5/16-24	3	1/4	2-1/2	11/16	5/16	3-11/32	ZEB92-ALLOY-BX	–
3/8-16	3	5/16	2-1/2	13/16	3/8	3-13/32	ZEB94-ALLOY-BX	–
3/8-16	4	5/16	3-1/2	13/16	3/8	4-13/32	ZEB96-ALLOY-BX	–
3/8-16	2	3/8	1-1/2	13/16	3/8	2-13/32	ZEB104-ALLOY-BX	–
3/8-24	5	3/8	4-1/2	13/16	3/8	5-13/32	ZEB118-ALLOY-BX	–
1/2-13	2-1/2	1/2	1-7/8	1-1/32	1/2	3-1/64	ZEB126-ALLOY-BX	–



## Rod End Bolts, Inch

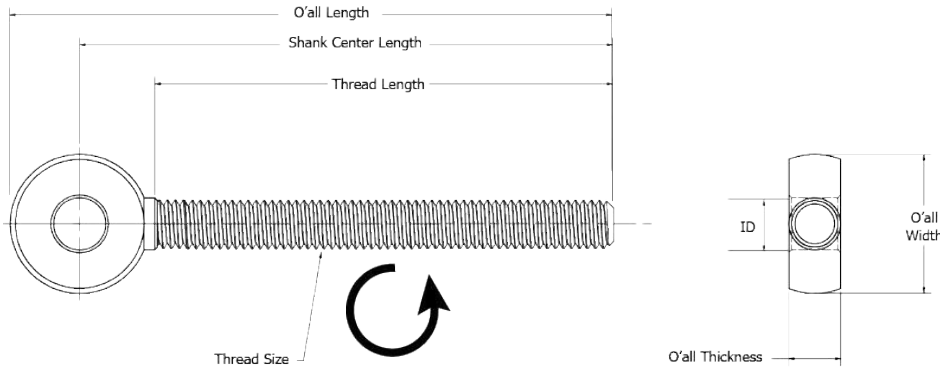
Thread Size	Shank Center Lg.	ID	Thread Lg.	O'all Wd.	O'all Thickness	O'all Length	Aluminum, Red Andodized Part Number
1/4-20	2	3/16	3/4	1/2	9/32	2-1/4	Z0010
1/4-20	4	3/16	3/4	1/2	9/32	4-1/4	Z0011
5/16-18	3	1/4	1-1/2	5/8	11/32	3-5/16	Z0013
5/16-18	4	1/4	1-1/2	5/8	11/32	4-5/16	Z0014
3/8-16	3	3/8	1-1/2	3/4	7/16	3-3/8	Z0016
3/8-16	4	3/8	1-1/2	3/4	7/16	4-3/8	Z0017
3/8-16	5	3/8	1-1/2	3/4	7/16	5-3/8	Z0018
1/2-13	3-3/4	3/8	1-1/2	1	9/16	4-1/4	Z0020
1/2-13	4	3/8	1-1/2	1	9/16	4-1/2	Z0021
1/2-13	5	3/8	1-1/2	1	9/16	5-1/2	Z0022
5/8-11	4-1/2	5/8	2	1-1/4	11/16	5-1/8	Z0025
5/8-11	5	5/8	2	1-1/4	11/16	5-5/8	Z0026
5/8-11	6	5/8	2	1-1/4	11/16	6-5/8	Z0027
3/4-10	4-1/2	3/4	2	1-1/2	13/16	5-1/4	Z0030
3/4-10	5	5/8	1-3/4	1-1/2	13/16	5-3/4	Z0031
3/4-10	6	3/4	2-1/2	1-1/2	13/16	6-3/4	Z0032

## Left Hand Rod End Bolts – Inch 18-8 Stainless Steel



### Product Information

Rod End Bolts also known as swing bolts, pivoting bolts and hinge eyebolts. These threaded bolts can be cut to length to fit your application. Left-hand threads tightens when turned counterclockwise. Class 2A-UNC. Made from DFARS & RoHs compliant 303 stainless steel.



### Left Hand Rod End Bolts, Inch

Thread Size	Shank Center Lg.	ID	Thread Lg.	O'all Wd.	O'all Thickness	O'all Length	18-8 SS Part Number
6-32	3/4	1/8	1/2	5/16	5/32	29/32	ZEB10-LH
6-32	1	1/8	3/4	5/16	5/32	1-5/32	ZEB12-LH
6-32	1-1/2	1/8	1-1/4	5/16	5/32	1-21/32	ZEB14-LH
6-32	2	1/8	1-3/4	5/16	5/32	2-5/32	ZEB16-LH
8-32	1	5/32	3/4	5/16	3/16	1-5/32	ZEB20-LH
8-32	1-1/2	5/32	1-1/4	5/16	3/16	1-21/32	ZEB22-LH
8-32	2	5/32	1-3/4	5/16	3/16	2-5/32	ZEB24-LH
10-32	1-1/2	3/16	1	1/2	5/16	1-3/4	ZEB30-LH
10-32	2	3/16	1-1/2	1/2	3/16	2-1/4	ZEB32-LH
10-32	3	3/16	2-1/2	1/2	3/16	3-1/4	ZEB34-LH
1/4-20	2	3/16	1-1/2	5/8	1/4	2-5/16	ZEB40-LH
1/4-20	3	3/16	2-1/2	5/8	1/4	3-5/16	ZEB42-LH
1/4-20	1-1/2	1/4	1-1/8	5/8	1/4	1-27/32	ZEB50-LH
1/4-20	2	1/4	1-1/2	5/8	1/4	2-5/16	ZEB52-LH
1/4-20	3	1/4	2-1/2	5/8	1/4	3-5/16	ZEB54-LH
1/4-20	3-1/2	1/4	3	5/8	1/4	3-13/16	ZEB56-LH
1/4-20	5	1/4	4-1/2	5/8	1/4	5-5/16	ZEB58-LH
1/4-20	6	1/4	5-5/8	5/8	1/4	6-5/16	ZEB60-LH
1/4-28	2	1/4	1-1/2	5/8	1/4	2-5/16	ZEB66-LH
1/4-28	3	1/4	2-1/2	5/8	1/4	3-5/16	ZEB68-LH
1/4-28	3-1/2	1/4	3	5/8	1/4	3-13/16	ZEB70-LH
5/16-18	2	1/4	1-1/2	11/16	5/16	2-11/32	ZEB76-LH
5/16-18	3	1/4	2-1/2	11/16	5/16	3-11/32	ZEB78-LH

18-8 SS

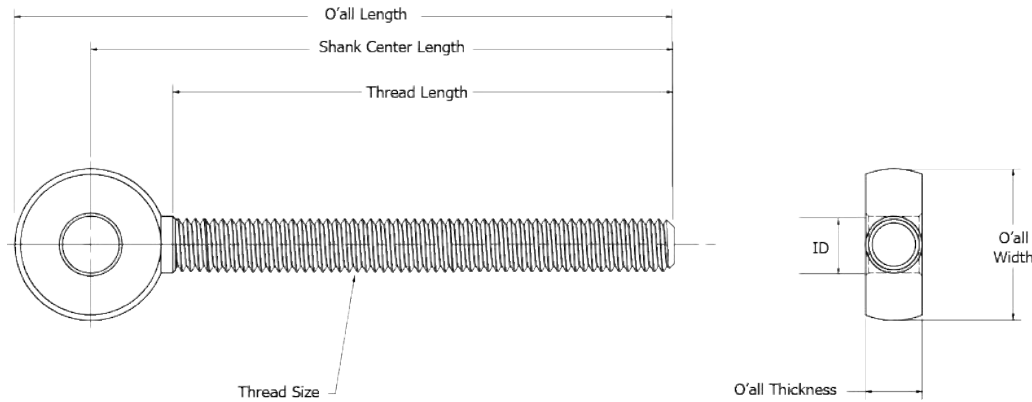
## Left Hand Rod End Bolts — Inch



Thread Size	Shank Center Lg.	ID	Thread Lg.	O'all Wd.	O'all Thickness	O'all Length	18-8 SS Part Number
5/16-18	1-1/2	5/16	1-1/16	11/16	5/16	1-27/32	ZEB84-LH
5/16-18	3-1/2	5/16	3-1/16	11/16	5/16	3-27/32	ZEB86-LH
5/16-18	6	5/16	5-9/16	11/16	5/16	6-11/32	ZEB88-LH
5/16-24	2	1/4	1-1/2	11/16	5/16	2-11/32	ZEB90-LH
5/16-24	3	1/4	2-1/2	11/16	5/16	3-11/32	ZEB92-LH
3/8-16	3	5/16	2-1/2	13/16	3/8	3-13/32	ZEB94-LH
3/8-16	4	5/16	3-1/2	13/16	3/8	4-13/32	ZEB96-LH
3/8-16	2	3/8	1-1/2	13/16	3/8	2-13/32	ZEB104-LH
3/8-16	3-1/2	3/8	3	13/16	3/8	3-29/32	ZEB106-LH
3/8-16	5	3/8	4-1/2	13/16	3/8	5-13/32	ZEB108-LH
3/8-16	6	3/8	5-1/2	13/16	3/8	6-13/32	ZEB110-LH
3/8-24	3-1/2	3/8	3	13/16	3/8	3-29/32	ZEB116-LH
3/8-24	5	3/8	4-1/2	13/16	3/8	5-13/32	ZEB118-LH
1/2-13	2-1/2	1/2	1-7/8	1-1/32	1/2	3-1/64	ZEB126-LH
1/2-13	3-1/2	1/2	2-7/8	1-1/32	1/2	4-1/64	ZEB128-LH
1/2-13	5	1/2	4-3/16	1-1/32	1/2	5-33/64	ZEB130-LH
1/2-13	6	1/2	5-3/8	1-1/32	1/2	6-33/64	ZEB132-LH
1/2-20	3-1/2	1/2	2-7/8	1-1/32	1/2	4-1/64	ZEB138-LH
1/2-20	5	1/2	4-3/16	1-1/32	1/2	5-33/64	ZEB140-LH
5/8-11	3-1/2	5/8	2-3/4	1-5/16	5/8	4-5/32	ZEB146-LH
5/8-11	5	5/8	4-1/4	1-5/16	5/8	5-21/32	ZEB148-LH
5/8-11	6	5/8	5-1/4	1-5/16	5/8	6-21/32	ZEB150-LH
5/8-24	3-1/2	5/8	2-3/4	1-5/16	5/8	4-5/32	ZEB156-LH
5/8-24	5	5/8	4-1/4	1-5/16	5/8	5-21/32	ZEB158-LH
3/4-10	3-1/2	3/4	2-5/8	1-9/16	3/4	4-9/32	ZEB164-LH
3/4-10	5	3/4	4-1/8	1-9/16	3/4	5-25/32	ZEB166-LH
3/4-10	6	3/4	5-1/8	1-9/16	3/4	6-25/32	ZEB168-LH
3/4-16	5	3/4	4-1/8	1-9/16	3/4	5-25/32	ZEB174-LH
3/4-16	6	3/4	5-1/8	1-9/16	3/4	6-25/32	ZEB176-LH
7/8-9	5	7/8	3-13/16	1-7/8	7/8	5-15/16	ZEB180-LH
7/8-9	6	7/8	4-13/16	1-7/8	7/8	6-15/16	ZEB182-LH
1-8	6	1	4-3/4	2-3/32	1	7-3/64	ZEB186-LH
1-8	8	1	6	2-3/32	1	9-3/64	ZEB188-LH
1-1/4-7	6	1-1/4	4-1/4	2-21/32	1-1/4	7-21/64	ZEB192-LH
1-1/4-7	8	1-1/4	6	2-21/32	1-1/4	9-21/64	ZEB194-LH
1-1/2-6	6	1-1/2	4	3-3/32	1-1/2	7-35/64	ZEB198-LH
1-1/2-6	8	1-1/2	6	3-3/32	1-1/2	9-35/64	ZEB200-LH

## Rod End Bolts — Metric

316 Stainless Steel  
18-8 Stainless Steel | Plain | Black Oxide  
17-4 PH Stainless Steel  
Brass



### Rod End Bolts, Metric

Thread Size	Shank Center Lg.	ID	Thread Lg. (min.)	O'all Wd.	O'all Thickness	O'all Length	AMPG 316 SS Part Number	18-8 SS Part Number
M5 x 0.8	25	5	16	12	6	31	ZEBM5X25-316	ZEBM5X25
	30	5	16	12	6	36	ZEBM5X30-316	ZEBM5X30
	35	5	21	12	6	41	ZEBM5X35-316	ZEBM5X35
	40	5	26	12	6	46	ZEBM5X40-316	ZEBM5X40
M5 x 0.8	45	5	31	12	6	51	ZEBM5X45-316	ZEBM5X45
	50	5	36	12	6	56	ZEBM5X50-316	ZEBM5X50
	60	5	46	12	6	66	ZEBM5X60-316	ZEBM5X60
M6 x 1	70	6	56	14	7	77	ZEBM6X70-316	—
	80	6	66	14	7	87	ZEBM6X80-316	—
M10 x 1.5	75	10	57	20	12	85	ZEBM10X75-316	ZEBM10X75
M12 x 1.75	130	12	107	25	14	143	ZEBM12X130-316	ZEBM12X130
M16 x 2	150	16	118	32	17	166	ZEBM16X150-316	ZEBM16X150
	160	16	133	32	17	176	ZEBM16X160-316	—
M20 x 2.5	110	18	78	40	22	130	ZEBM20X110-316	ZEBM20X110
	130	18	98	40	22	150	ZEBM20X130-316	ZEBM20X130
	150	18	118	40	22	170	ZEBM20X150-316	ZEBM20X150
M24 x 3	90	22	58	45	25	113	ZEBM24X90-316	ZEBM24X90
	100	22	68	45	25	123	ZEBM24X100-316	ZEBM24X100
	120	22	88	45	25	143	ZEBM24X120-316	ZEBM24X120
	140	22	108	45	25	163	ZEBM24X140-316	ZEBM24X140
M24 x 3	150	22	118	45	25	173	ZEBM24X150-316	ZEBM24X150
	160	22	128	45	25	183	ZEBM24X160-316	ZEBM24X160



## Rod End Bolts – Metric



Thread Size	Shank Center Lg.	ID	Thread Lg. (min)	O'all Wd.	O'all Thick.	O'all Length	18-8 SS, Black Oxide Part Number	17-4 PH SS Part Number	AMPG Brass Part Number	Steel Black Oxide Part Number
M5 x 0.8	25	5	16	12	6	31	ZEBM5X25-BLACK	ZEBM5X25-174	ZEBM5X25-BR	ZEBM5X25-STL-BX
	30	5	16	12	6	36	ZEBM5X30-BLACK	ZEBM5X30-174	ZEBM5X30-BR	ZEBM5X30-STL-BX
	35	5	21	12	6	41	ZEBM5X35-BLACK	ZEBM5X35-174	ZEBM5X35-BR	ZEBM5X35-STL-BX
	40	5	26	12	6	46	ZEBM5X40-BLACK	ZEBM5X40-174	ZEBM5X40-BR	ZEBM5X40-STL-BX
M5 x 0.8	45	5	31	12	6	51	ZEBM5X45-BLACK	ZEBM5X45-174	ZEBM5X45-BR	ZEBM5X45-STL-BX
M5 x 0.8	50	5	36	12	6	56	ZEBM5X50-BLACK	ZEBM5X50-174	ZEBM5X50-BR	ZEBM5X50-STL-BX
	60	5	46	12	6	66	ZEBM5X60-BLACK	ZEBM5X60-174	ZEBM5X60-BR	ZEBM5X60-STL-BX
M6 x 1	30	6	18	14	7	37	ZEBM6X30-BLACK	ZEBM6X30-174	ZEBM6X30-BR	ZEBM6X30-STL-BX
	35	6	22	14	7	42	ZEBM6X35-BLACK	ZEBM6X35-174	ZEBM6X35-BR	ZEBM6X35-STL-BX
	40	6	26	14	7	47	ZEBM6X40-BLACK	ZEBM6X40-174	ZEBM6X40-BR	ZEBM6X40-STL-BX
	45	6	31	14	7	52	ZEBM6X45-BLACK	ZEBM6X45-174	ZEBM6X45-BR	ZEBM6X45-STL-BX
M6 x 1	50	6	36	14	7	57	ZEBM6X50-BLACK	ZEBM6X50-174	ZEBM6X50-BR	–
	60	6	46	14	7	67	ZEBM6X60-BLACK	ZEBM6X60-174	ZEBM6X60-BR	–
	70	6	56	14	7	77	ZEBM6X70-BLACK	ZEBM6X70-174	ZEBM6X70-BR	ZEBM6X70-STL-BX
	80	6	66	14	7	87	ZEBM6X80-BLACK	ZEBM6X80-174	ZEBM6X80-BR	–
8 x 1.25	30	8	22	18	9	39	ZEBM8X30-BLACK	ZEBM8X30-174	ZEBM8X30-BR	ZEBM8X30-STL-BX
	35	8	22	18	9	44	ZEBM8X35-BLACK	ZEBM8X35-174	ZEBM8X35-BR	ZEBM8X35-STL-BX
	40	8	24	18	9	49	ZEBM8X40-BLACK	ZEBM8X40-174	–	ZEBM8X40-STL-BX
	45	8	29	18	9	54	ZEBM8X45-BLACK	ZEBM8X45-174	ZEBM8X45-BR	ZEBM8X45-STL-BX
8 x 1.25	50	8	34	18	9	59	ZEBM8X50-BLACK	ZEBM8X50-174	–	–
	60	8	44	18	9	69	ZEBM8X60-BLACK	ZEBM8X60-174	–	ZEBM8X60-STL-BX
	70	8	54	18	9	79	ZEBM8X70-BLACK	ZEBM8X70-174	–	ZEBM8X70-STL-BX
	80	8	64	18	9	89	ZEBM8X80-BLACK	ZEBM8X80-174	–	–
8 x 1.25	90	8	74	18	9	99	ZEBM8X90-BLACK	ZEBM8X90-174	ZEBM8X90-BR	ZEBM8X90-STL-BX
	100	8	84	18	9	109	ZEBM8X100-BLACK	ZEBM8X100-174	ZEBM8X100-BR	–
M10 x 1.5	40	10	26	20	12	50	ZEBM10X40-BLACK	ZEBM10X40-174	ZEBM10X40-BR	ZEBM10X40-STL-BX
	45	10	26	20	12	55	ZEBM10X45-BLACK	ZEBM10X45-174	ZEBM10X45-BR	ZEBM10X45-STL-BX
	50	10	32	20	12	60	ZEBM10X50-BLACK	ZEBM10X50-174	–	–
	60	10	42	20	12	70	ZEBM10X60-BLACK	ZEBM10X60-174	–	ZEBM10X60-STL-BX
M10 x 1.5	70	10	52	20	12	80	ZEBM10X70-BLACK	ZEBM10X70-174	–	ZEBM10X70-STL-BX
	75	10	57	20	12	85	ZEBM10X75-BLACK	ZEBM10X75-174	ZEBM10X75-BR	ZEBM10X75-STL-BX
	80	10	62	20	12	90	ZEBM10X80-BLACK	ZEBM10X80-174	–	–
	90	10	72	20	12	100	ZEBM10X90-BLACK	ZEBM10X90-174	–	ZEBM10X90-STL-BX
M10 x 1.5	100	10	82	20	12	110	ZEBM10X100-BLACK	ZEBM10X100-174	–	–
	110	10	92	20	12	120	ZEBM10X110-BLACK	ZEBM10X110-174	ZEBM10X110-BR	ZEBM10X110-STL-BX
	120	10	102	20	12	130	ZEBM10X120-BLACK	ZEBM10X120-174	ZEBM10X120-BR	ZEBM12X120-STL-BX

## Rod End Bolts – Metric



Thread Size	Shank Center Lg.	ID	Thread Lg. (min)	O'all Wd.	O'all Thick.	O'all Length	18-8 SS, Black Oxide Part Number	17-4 PH SS Part Number	AMPG Brass Part Number	Steel Black Oxide Part Number
M12 x 1.75	50	12	30	25	14	63	ZEBM12X50-BLACK	ZEBM12X50-174	ZEBM12X50-BR	—
	60	12	37	25	14	73	ZEBM12X60-BLACK	ZEBM12X60-174	—	—
	70	12	47	25	14	83	ZEBM12X70-BLACK	ZEBM12X70-174	—	—
	80	12	57	25	14	93	ZEBM12X80-BLACK	ZEBM12X80-174	—	—
M12 x 1.75	90	12	67	25	14	103	ZEBM12X90-BLACK	ZEBM12X90-174	—	—
	100	12	77	25	14	113	ZEBM12X100-BLACK	ZEBM12X100-174	—	—
	110	12	87	25	14	123	ZEBM12X110-BLACK	ZEBM12X110-174	ZEBM12X110-BR	—
	120	12	97	25	14	133	ZEBM12X120-BLACK	ZEBM12X120-174	—	—
M12 x 1.75	130	12	107	25	14	143	ZEBM12X130-BLACK	ZEBM12X130-174	—	—
M16 x 2	60	16	38	32	17	76	ZEBM16X60-BLACK	ZEBM16X60-174	ZEBM16X160-BR	ZEBM16X60-STL-BX
	70	16	43	32	17	86	ZEBM16X70-BLACK	ZEBM16X70-174	—	—
	80	16	53	32	17	96	ZEBM16X80-BLACK	ZEBM16X80-174	—	ZEBM16X80-STL-BX
	90	16	63	32	17	106	ZEBM16X90-BLACK	ZEBM16X90-174	—	ZEBM16X90-STL-BX
M16 x 2	100	16	73	32	17	116	ZEBM16X100-BLACK	ZEBM16X100-174	—	—
	110	16	83	32	17	126	ZEBM16X110-BLACK	ZEBM16X110-174	—	ZEBM16X110-STL-BX
	120	16	93	32	17	136	ZEBM16X120-BLACK	ZEBM16X120-174	—	ZEBM16X120-STL-BX
	130	16	103	32	17	146	ZEBM16X130-BLACK	ZEBM16X130-174	—	ZEBM16X130-STL-BX
M16 x 2	140	16	113	32	17	156	ZEBM16X140-BLACK	ZEBM16X140-174	—	—
	150	16	118	32	17	166	ZEBM16X150-BLACK	ZEBM16X150-174	—	ZEBM16X150-STL-BX
	160	16	133	32	17	176	ZEBM16X160-BLACK	ZEBM16X160-174	—	—
M20 x 2.5	70	18	38	40	22	90	ZEBM20X70-BLACK	ZEBM20X70-174	ZEBM20X70-BR	ZEBM20X70-STL-BX
	80	18	48	40	22	100	ZEBM20X80-BLACK	ZEBM20X80-174	—	ZEBM20X80-STL-BX
	90	18	58	40	22	110	ZEBM20X90-BLACK	ZEBM20X90-174	—	ZEBM20X90-STL-BX
	100	18	68	40	22	120	ZEBM20X100-BLACK	ZEBM20X100-174	—	—
M20 x 2.5	110	18	78	40	22	130	ZEBM20X110-BLACK	ZEBM20X110-174	—	ZEBM20X110-STL-BX
M20 x 2.5	120	18	88	40	22	140	ZEBM20X120-BLACK	ZEBM20X120-174	—	—
	130	18	98	40	22	150	ZEBM20X130-BLACK	ZEBM20X130-174	—	ZEBM20X130-STL-BX
	140	18	108	40	22	160	ZEBM20X140-BLACK	ZEBM20X140-174	—	—
	150	18	118	40	22	170	ZEBM20X150-BLACK	ZEBM20X150-174	ZEBM20X150-BR	ZEBM20X150-STL-BX
	160	18	128	40	22	180	ZEBM20X160-BLACK	ZEBM20X160-174	ZEBM20X160-BR	—
M24 x 3	90	22	58	45	25	113	ZEBM24X90-BLACK	ZEBM24X90-174	ZEBM24X90-BR	ZEBM24X90-STL-BX
	100	22	68	45	25	123	ZEBM24X100-BLACK	ZEBM24X100-174	ZEBM24X100-BR	ZEBM24X100-STL-BX
	120	22	88	45	25	143	ZEBM24X120-BLACK	ZEBM24X120-174	ZEBM24X120-BR	ZEBM24X120-STL-BX
	140	22	108	45	25	163	ZEBM24X140-BLACK	ZEBM24X140-174	ZEBM24X140-BR	ZEBM24X140-STL-BX
M24 x 3	150	22	118	45	25	173	ZEBM24X150-BLACK	ZEBM24X150-174	ZEBM24X150-BR	ZEBM24X150-STL-BX
	160	22	128	45	25	183	ZEBM24X160-BLACK	ZEBM24X160-174	ZEBM24X160-BR	ZEBM24X160-STL-BX

18-8 SS,  
Steel

# Power Transmission & Gas Spring Accessories

## Left Hand Rod End Bolts – Metric

18-8 Stainless Steel | Black Oxide  
Steel 12L14 | Black Oxide



### Left Hand Rod End Bolts, Metric

Thread Size	Thread Direction	Shank Center Lg.	ID	Thread Lg. (min)	O'all Wd.	O'all Thickness	O'all Length	AMPG 18-8 SS, Left Hand Threads Part Number	Steel, Black Oxide Part Number
M5 x 0.8	Left	25	5	16	12	6	31	ZEBM5X25-LH	ZEBM5X25LH-STL-BX
		30	5	16	12	6	36	ZEBM5X30-LH	ZEBM5X30LH-STL-BX
		35	5	21	12	6	41	ZEBM5X35-LH	ZEBM5X35LH-STL-BX
		40	5	26	12	6	46	ZEBM5X40-LH	ZEBM5X40LH-STL-BX
M5 x 0.8	Left	45	5	31	12	6	51	ZEBM5X45-LH	ZEBM5X45LH-STL-BX
		50	5	36	12	6	56	ZEBM5X50-LH	ZEBM5X50LH-STL-BX
		60	5	46	12	6	66	ZEBM5X60-LH	ZEBM5X60LH-STL-BX
M6 x 1	Left	30	6	18	14	7	37	ZEBM6X30-LH	ZEBM6X30LH-STL-BX
		35	6	22	14	7	42	ZEBM6X35-LH	ZEBM6X35LH-STL-BX
		40	6	26	14	7	47	ZEBM6X40-LH	ZEBM6X40LH-STL-BX
		45	6	31	14	7	52	ZEBM6X45-LH	ZEBM6X45LH-STL-BX
M6 x 1	Left	50	6	36	14	7	57	ZEBM6X50-LH	ZEBM6X50LH-STL-BX
		60	6	46	14	7	67	ZEBM6X60-LH	ZEBM6X60LH-STL-BX
		70	6	56	14	7	77	ZEBM6X70-LH	ZEBM6X70LH-STL-BX
		80	6	66	14	7	87	ZEBM6X80-LH	ZEBM6X80LH-STL-BX
8 x 1.25	Left	30	8	22	18	9	39	ZEBM8X30-LH	ZEBM8X30LH-STL-BX
		35	8	22	18	9	44	ZEBM8X35-LH	ZEBM8X35LH-STL-BX
		40	8	24	18	9	49	ZEBM8X40-LH	ZEBM8X40LH-STL-BX
		45	8	29	18	9	54	ZEBM8X45-LH	ZEBM8X45LH-STL-BX
8 x 1.25	Left	50	8	34	18	9	59	ZEBM8X50-LH	ZEBM8X50LH-STL-BX
		60	8	44	18	9	69	ZEBM8X60-LH	ZEBM8X60LH-STL-BX
		70	8	54	18	9	79	ZEBM8X70-LH	ZEBM8X70LH-STL-BX
		80	8	64	18	9	89	ZEBM8X80-LH	ZEBM8X80LH-STL-BX
8 x 1.25	Left	90	8	74	18	9	99	ZEBM8X90-LH	ZEBM8X90LH-STL-BX
		100	8	84	18	9	109	ZEBM8X100-LH	ZEBM8X100LH-STL-BX
M10 x 1.5	Left	40	10	26	20	12	50	ZEBM10X40-LH	ZEBM10X40LH-STL-BX
		45	10	26	20	12	55	ZEBM10X45-LH	ZEBM10X45LH-STL-BX
		50	10	32	20	12	60	ZEBM10X50-LH	ZEBM10X50LH-STL-BX
		60	10	42	20	12	70	ZEBM10X60-LH	ZEBM10X60LH-STL-BX
M10 x 1.5	Left	70	10	52	20	12	80	ZEBM10X70-LH	ZEBM10X70LH-STL-BX
		75	10	57	20	12	85	ZEBM10X75-LH	ZEBM10X75LH-STL-BX
		80	10	62	20	12	90	ZEBM10X80-LH	ZEBM10X80LH-STL-BX
		90	10	72	20	12	100	ZEBM10X90-LH	ZEBM10X90LH-STL-BX
M10 x 1.5	Left	100	10	82	20	12	110	ZEBM10X100-LH	ZEBM10X100LH-STL-BX
		110	10	92	20	12	120	ZEBM10X110-LH	ZEBM10X110LH-STL-BX
		120	10	102	20	12	130	ZEBM10X120-LH	ZEBM10X120LH-STL-BX

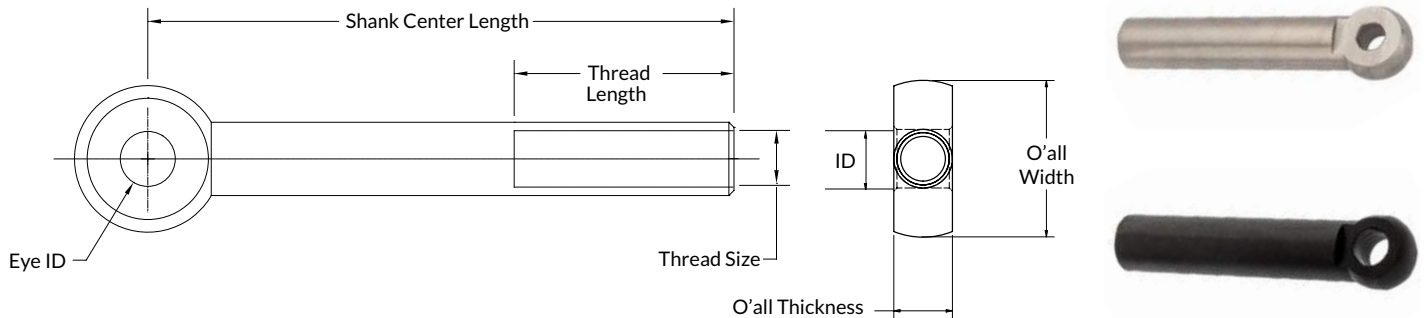
## Internally Threaded Solid Rod Ends – Inch

18-8 Stainless Steel | Black Oxide  
Steel 12L14 | Black Oxide



### Product Information

Rod End Bolts also known as swing bolts, pivoting bolts and hinge eyebolts. These have an internal thread.



### Stainless Internally Threaded Rod Ends, Inch

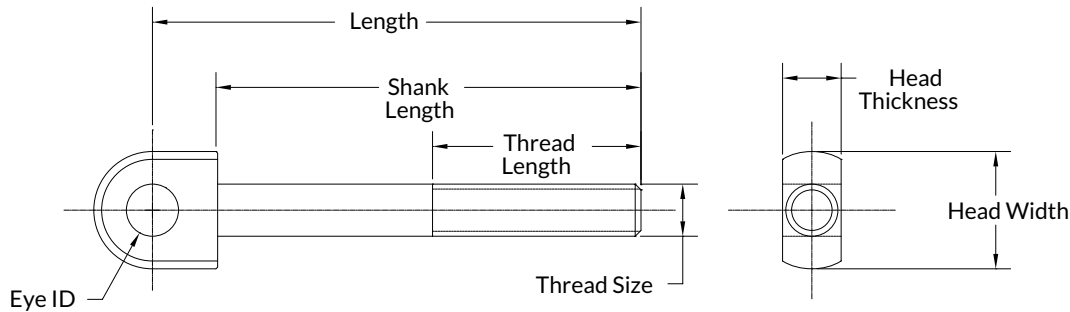
Thread Size	Shank Outside Diameter	Shank Center Length	Eye ID	O'all Width	O'all Thickness	O'all Length	Thread Length	18-8 SS Part Number
1/4-20	3/8	2	3/16	1/2	9/32	2-1/4	3/4	Z0040SS
3/8-16	5/8	3	3/8	3/4	7/16	3-3/8	1	Z0041SS
1/2-13	3/4	3-3/4	3/8	1	9/16	4-1/4	1	Z0042SS
1/2-13	3/4	4	3/8	1	9/16	4-1/2	1	Z0043SS
5/8-11	7/8	4-1/2	5/8	1-1/4	11/16	5-1/8	1	Z0044SS
5/8-11	7/8	5	5/8	1-1/4	11/16	5-5/8	1	Z0045SS
5/8-11	7/8	6	5/8	1-1/4	11/16	6-5/8	1-1/2	Z0046SS
3/4-10	1	4-1/2	3/4	1-1/2	13/16	5-1/4	1	Z0047SS

### Steel Internally Threaded Rod Ends, Inch

Thread Size	Shank Outside Diameter	Shank Center Length	Eye ID	O'all Width	O'all Thickness	O'all Length	Thread Length	Steel, Black Oxide Part Number
1/4-20	3/8	2	3/16	1/2	9/32	2-1/4	3/4	Z0040
1/4-20	3/8	2	1/4	1/2	9/32	2-1/4	3/4	Z0038
3/8-16	5/8	3	3/8	3/4	7/16	3-3/8	1	Z0041
1/2-13	3/4	3-3/4	3/8	1	9/16	3-1/4	1	Z0042
1/2-13	3/4	3-3/4	1/2	1	9/16	3-1/4	1	Z0039
1/2-13	3/4	4	3/8	1	9/16	4-1/2	1	Z0043
5/8-11	7/8	4-1/2	5/8	1-1/4	11/16	5-1/8	1	Z0044
5/8-11	7/8	5	5/8	1-1/4	11/16	5-5/8	1	Z0045
5/8-11	7/8	6	5/8	1-1/4	11/16	6-5/8	1-1/2	Z0046
3/4-10	1	4-1/2	3/4	1-1/2	13/16	5-1/4	1	Z0047

## Externally Threaded Latch Bolts – Metric

Steel 12L14 | Black Oxide



## Latch Bolts, Metric

Thread Size	Length	Eye ID	Head Width	Head Thickness	Thread Length	Shank Length	Steel, Black Oxide Part Number
M8	75	8	18	9	32	65	Z0050
M8	100	8	18	9	32	90	Z0051
M10	75	10	20	12	40	64	Z0053
M10	100	10	20	12	40	89	Z0054
M16	75	16	32	17	40	57	Z0056
M16	100	16	32	17	40	83	Z0057

## Pull Dowels – Inch

Low Carbon Steel | Case Hardened



## Product Information

Designed with a flat on the side to release trapped air in blind holes. Case Hardened to .005-.010 Depth. O.D. Tolerance: +.0001"– +.0003".



## Pull Dowels, Inch

Diameter	Length	Thread Size	Thread Depth	Steel Part Number
1/4	3/4	8-32	3/8	Z1258
	1			Z1260
	1-1/4			Z1262
	1-1/2			Z1264
1/4	2	8-32	3/8	Z1266
	3/4			Z1250
5/16	1	10-32	1/4	Z1200
	1-1/4			Z1202
	1-1/2			Z1204
5/16	2	10-32	1/4	Z1252
	1			Z1206
3/8	1-1/4	10-32	3/8	Z1208
	1-1/2			Z1210
	2			Z1212
3/8	2-1/2	10-32	3/8	Z1254
	3			Z1214
7/16	1-1/2	1/4-20	3/8	Z1216

Diameter	Length	Thread Size	Thread Depth	Steel Part Number
7/16	2	1/4-20	3/8	Z1218
	1			Z1220
1/2	1-1/4	1/4-20	1/2	Z1222
	1-1/2			Z1224
	1-3/4			Z1256
1/2	2	1/4-20	1/2	Z1226
	2-1/2			Z1228
	3			Z1230
5/8	1-1/2	5/16-18	1/2	Z1232
	2			Z1234
	2-1/2			Z1236
3/4	3	3/8-16	1/2	Z1238
	2			Z1240
	2-1/2			Z1242
1	3	3/8-16	1/2	Z1244
	2			Z1246
	2-1/2			Z1248

## Round Pin Blanks, Dowel Pin Stock – Inch

300 Series Stainless Steel  
4140 Alloy Steel



### Product Information

Cut end Pin Blanks manufactured from various materials. All pins are 12" long with Chamfered Flat Ends. Ready for modifications. Length tolerance is + 0.020/- 0.125. Diameter tolerance is +/- .002".



Stainless Steel



4140 Steel

Dowel Diameter	Dowel Length	300 Series SS Part Number	Steel Part Number
1/8	12	PIN12512SS	PIN12512
5/32	12	PIN12515SS	PIN12515
3/16	12	PIN12518SS	PIN12518
1/4	12	PIN12525SS	PIN12525
5/16	12	PIN12531SS	PIN12531
3/8	12	PIN12537SS	PIN12537
7/16	12	PIN12543SS	PIN12543
1/2	12	PIN12550SS	PIN12550
9/16	12	PIN12556SS	PIN12556
5/8	12	PIN12562SS	PIN12562
3/4	12	PIN12575SS	PIN12575
1	12	PIN12501SS	PIN12501

## Small Diameter Dowel Pins – Inch

18-8 Stainless Steel



Size comparison

Dowel Diameter	Dowel Length	18-8 SS Part Number
1/64	1/4	PIN602015250
1/64	3/8	PIN602015375
1/64	1/2	PIN602015500

18-8 SS,  
Steel

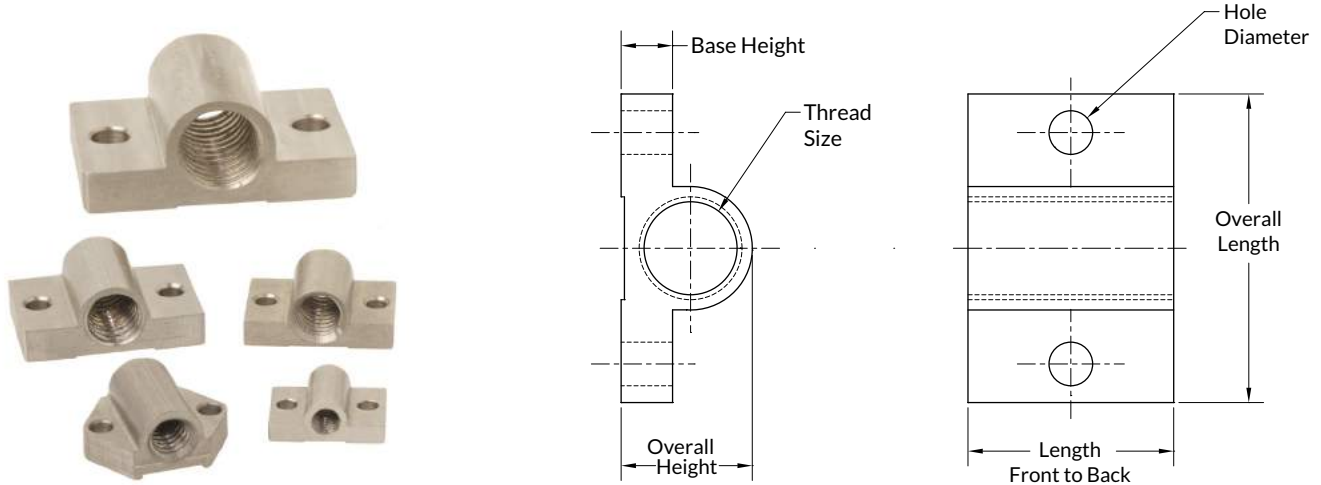
## Spring Plunger Mounting Bases – Inch



18-8 Stainless Steel  
Steel | Zinc

### Product Information

Also known as Tooling Flanges, Full range of sizes from 8-32 thru 5/8-11. Used as mounting points for spring plungers and any spring-loaded devices. Used for horizontal applications without the need for custom designed blocks and fixtures. Spring Plunger not included.



18-8 SS



Steel, Zinc

Thread Size	Overall Length	Length Front to Back	Overall Height	Base Thickness	Hole Diameter	18-8 SS Part Number	Steel, Zinc Part Number
8-32	.690	.500	.250	.090	1/8	Z0377SS	Z0377
10-32	.690	.500	.270	.130	1/8	Z0378SS	Z0378
1/4-20	.880	.690	.410	.190	9/64	Z0379SS	Z0379
5/16-18	.940	.630	.410	.188	9/64	Z0380SS	Z0380
3/8-16	1.130	.750	.470	.219	5/32	Z0381SS	Z0381
1/2-13	1.500	1.00	.630	.250	13/64	Z0382SS	Z0382
5/8-11	1.880	1.250	.800	.312	17/64	Z0383SS	Z0383

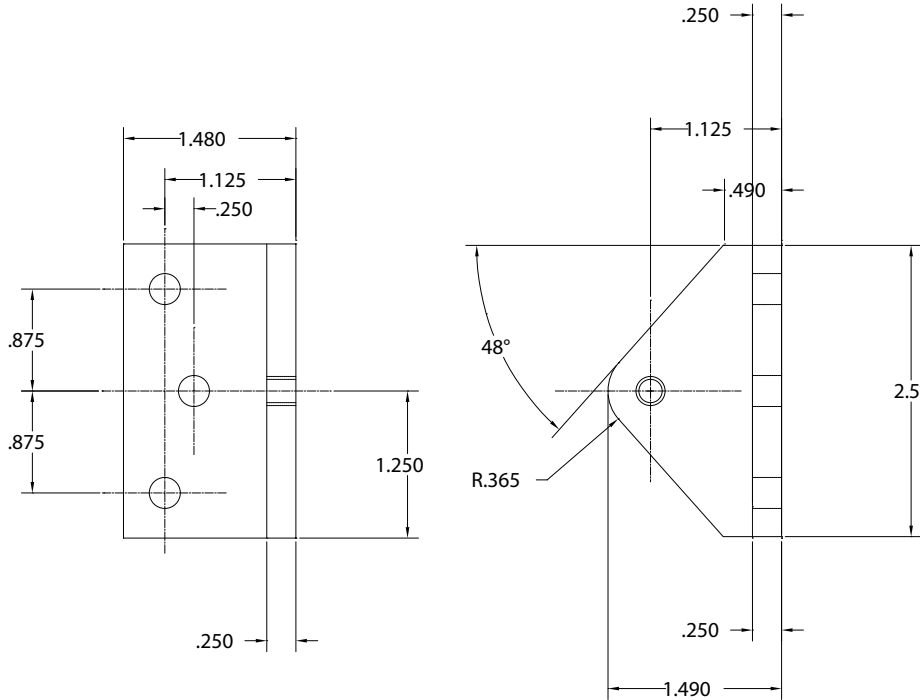


## Gas Spring Attachment Points (Extra Duty)

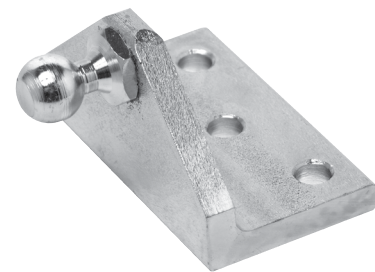
316 Stainless Steel  
18-8 Stainless Steel  
Steel | Zinc

### Product Information

Used as mounting points for Gas Springs where extra strength is needed. These Brackets are the thickest and strongest Brackets available from stock. Fits Gas Springs with 13MM or 16MM Ball Sockets.



**Inverted Bracket**



**Long Neck Brackets**

Stud Size	Thickness	Material	Part Number
13mm	1/4	Steel Zinc	FITK53
		18-8 SS	FITK53SS
		316 SS	FITK53-316SS
16mm	1/4	Steel Zinc	FITK53-16MM
		18-8 SS	FITK53SS16
		316 SS	FITK5316-316SS

90 Degree Angle Inverted Bracket, 1/4" Thick, (3) .260 mounting holes

Stud Size	Thickness	Material	Part Number
13mm	1/4	Steel Zinc	FITK52
		18-8 SS	FITK52SS
		316 SS	FITK52-316SS
16mm	1/4	Steel Zinc	FITK52-16MM
		18-8 SS	FITK52SS16
		316 SS	FITK5216-316SS

90 Degree Long Neck Bracket, 1/4" Thick, (3) .260 mounting holes

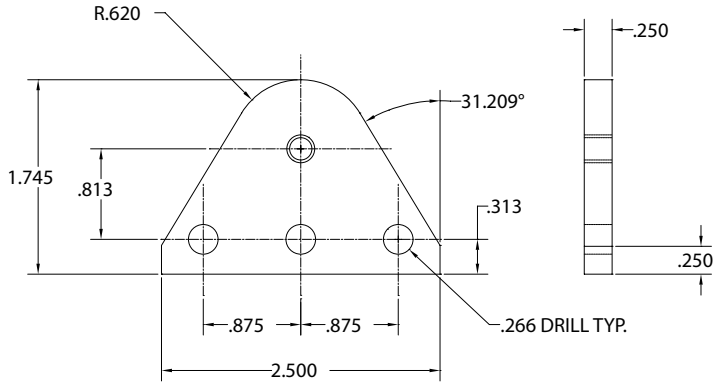


316 SS, 18-8 SS,  
Steel



### Flat Brackets

316 Stainless Steel  
18-8 Stainless Steel  
Steel | Zinc



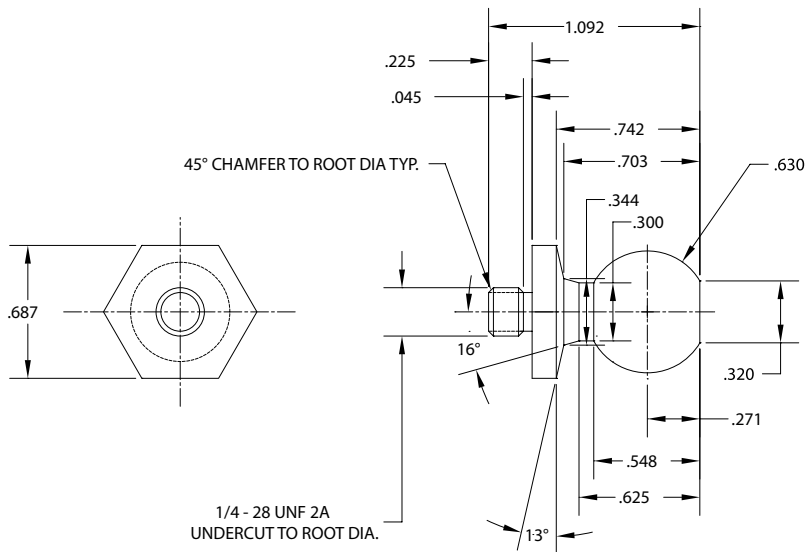
Stud Size	Thickness	Material	Part Number
13mm	1/4	Steel Zinc	FITK51
		18-8 SS	FITK51SS
		316 SS	FITK51-316SS
16mm	1/4	Steel Zinc	FITK51-16MM
		18-8 SS	FITK51SS16
		316 SS	FITK5116-316SS

Flat Bracket, 1/4" Thick, (3) .260 mounting holes



### Ball Studs

316 Stainless Steel  
18-8 Stainless Steel  
Steel | Zinc



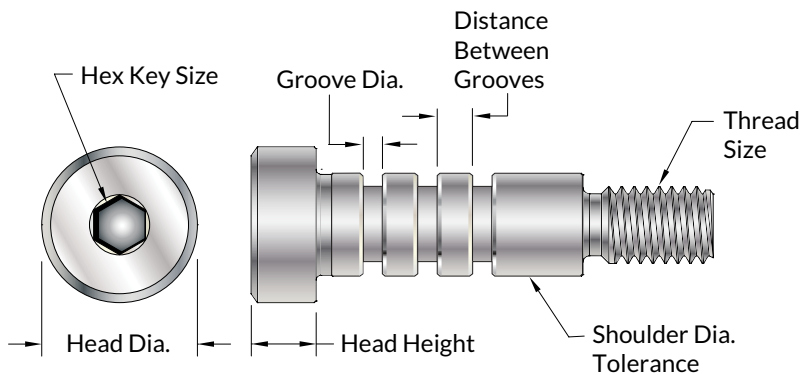
Stud Size	Material	Part Number
13mm	Steel Zinc	FITK54
	18-8 SS	FITK54SS
	316 SS	FITK54-316SS
16mm	Steel Zinc	FITK55
	18-8 SS	FITK55SS
	316 SS	FITK55-316SS

## Headed Spring Anchors – Inch 18-8 Stainless Steel



### Product Information

These easy to install Headed Spring Anchors have multiple grooves to allow for height adjustment after installation. The multiple grooves can accommodate two springs on a single anchor. Grooves are approx. .005" deeper than wire diameter for positive locking. Separation between each groove of approx. 3 times the wire diameter. AMPG's large variety of diameters and heights make this a versatile anchor for both prototype and production methods. Anchors have a 3A Thread Class and 3 grooves.



Designed for End Inner Diameter of	Groove Dia	Groove Height	Distance between Grooves	Shaft Dia.	Shaft Length	Head Height	Head Outer Diameter	Type of Drive	Hex Size	Thread Size	Thread Lth	18-8 SS Part Number
.070	.017	.024	.036	.078	3/8	3/32	5/32	Slot	n/a	1-72	1/8	Z202005SS
.070	.017	.024	.036	.078	1/2	3/32	5/32	Slot	n/a	1-72	1/8	Z202010SS
.070	.017	.024	.036	.078	3/4	3/32	5/32	Slot	n/a	1-72	1/8	Z202015SS
1/8	.063	.052	.078	.125	3/4	1/8	1/4	Hex	5/64	4-40	5/32	Z202020SS
1/8	.063	.052	.078	.125	1	1/8	1/4	Hex	5/64	4-40	5/32	Z202025SS
1/8	.063	.052	.078	.125	1-1/4	1/8	1/4	Hex	5/64	4-40	5/32	Z202030SS
11/64	.094	.068	.102	.172	3/4	5/32	5/16	Hex	3/32	8-32	3/16	Z202035SS
11/64	.094	.068	.102	.172	1	5/32	5/16	Hex	3/32	8-32	3/16	Z202040SS
11/64	.094	.068	.102	.172	1-1/4	5/32	5/16	Hex	3/32	8-32	3/16	Z202045SS
11/64	.094	.068	.102	.172	1-1/2	5/32	5/16	Hex	3/32	8-32	3/16	Z202050SS
3/16	.126	.052	.078	.187	3/4	5/32	5/16	Hex	3/32	8-32	3/16	Z202055SS
3/16	.126	.052	.078	.187	1	5/32	5/16	Hex	3/32	8-32	3/16	Z202060SS
3/16	.126	.052	.078	.187	1-1/4	5/32	5/16	Hex	3/32	8-32	3/16	Z202065SS
3/16	.126	.052	.078	.187	1-1/2	5/32	5/16	Hex	3/32	8-32	3/16	Z202070SS
13/64	.094	.098	.147	.203	1	5/32	5/16	Hex	3/32	8-32	3/16	Z202075SS
13/64	.094	.098	.147	.203	1-1/4	5/32	5/16	Hex	3/32	8-32	3/16	Z202080SS
13/64	.094	.098	.147	.203	1-1/2	5/32	5/16	Hex	3/32	8-32	3/16	Z202085SS
13/64	.094	.098	.147	.203	2	5/32	5/16	Hex	3/32	8-32	3/16	Z202090SS
17/64	.170	.090	.135	.270	1	7/32	3/8	Hex	1/8	10-24	3/8	Z202095SS
17/64	.170	.090	.135	.270	1-1/4	7/32	3/8	Hex	1/8	10-24	3/8	Z202100SS
17/64	.170	.090	.135	.270	1-1/2	7/32	3/8	Hex	1/8	10-24	3/8	Z202105SS

## Headed Spring Anchors – Inch



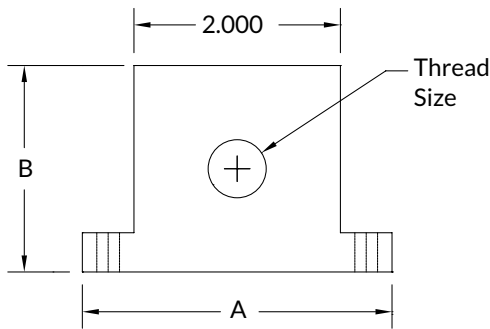
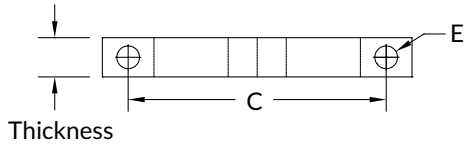
Designed for End Inner Diameter of	Groove Dia	Groove Height	Distance between Grooves	Shaft Dia.	Shaft Length	Head Height	Head Outer Diameter	Type of Drive	Hex Size	Thread Size	Thread Lth	18-8 SS Part Number
17/64	.170	.090	.135	.270	2	7/32	3/8	Hex	1/8	10-24	3/8	Z202110SS
19/64	.214	.068	.102	.292	1	7/32	7/16	Hex	1/8	1/4-20	7/16	Z202115SS
19/64	.214	.068	.102	.292	1-1/4	7/32	7/16	Hex	1/8	1/4-20	7/16	Z202120SS
19/64	.214	.068	.102	.292	1-1/2	7/32	7/16	Hex	1/8	1/4-20	7/16	Z202125SS
19/64	.214	.068	.102	.292	2	7/32	7/16	Hex	1/8	1/4-20	7/16	Z202130SS
3/8	.238	.126	.189	.374	1-1/2	1/4	9/16	Hex	3/16	5/16-18	1/2	Z202135SS
3/8	.238	.126	.189	.374	1-3/4	1/4	9/16	Hex	3/16	5/16-18	1/2	Z202140SS
3/8	.238	.126	.189	.374	2	1/4	9/16	Hex	3/16	5/16-18	1/2	Z202145SS
3/8	.238	.126	.189	.374	2-1/2	1/4	9/16	Hex	3/16	5/16-18	1/2	Z202150SS
27/64	.326	.082	.123	.418	1	1/4	9/16	Hex	3/16	5/16-18	1/2	Z202155SS
27/64	.326	.082	.123	.418	1-1/4	1/4	9/16	Hex	3/16	5/16-18	1/2	Z202160SS
27/64	.326	.082	.123	.418	1-1/2	1/4	9/16	Hex	3/16	5/16-18	1/2	Z202165SS
27/64	.326	.082	.123	.418	2	1/4	9/16	Hex	3/16	5/16-18	1/2	Z202170SS
9/16	.360	.190	.285	.560	1-3/4	3/8	7/8	Hex	5/16	1/2-13	3/4	Z202175SS
9/16	.360	.190	.285	.560	2	3/8	7/8	Hex	5/16	1/2-13	3/4	Z202180SS
9/16	.360	.190	.285	.560	2-1/4	3/8	7/8	Hex	5/16	1/2-13	3/4	Z202185SS
9/16	.360	.190	.285	.560	2-1/2	3/8	7/8	Hex	5/16	1/2-13	3/4	Z202190SS
5/8	.488	.126	.189	.624	1-1/2	3/8	7/8	Hex	5/16	1/2-13	3/4	Z202195SS
5/8	.488	.126	.189	.624	1-3/4	3/8	7/8	Hex	5/16	1/2-13	3/4	Z202200SS
5/8	.488	.126	.189	.624	2	3/8	7/8	Hex	5/16	1/2-13	3/4	Z202205SS
5/8	.488	.126	.189	.624	2-1/2	3/8	7/8	Hex	5/16	1/2-13	3/4	Z202210SS
13/16	.610	.190	.285	.810	1-3/4	1/2	1	Hex	3/8	5/8-11	7/8	Z202215SS
13/16	.610	.190	.285	.810	2	1/2	1	Hex	3/8	5/8-11	7/8	Z202220SS
13/16	.610	.190	.285	.810	2-1/4	1/2	1	Hex	3/8	5/8-11	7/8	Z202225SS
13/16	.610	.190	.285	.810	2-1/2	1/2	1	Hex	3/8	5/8-11	7/8	Z202230SS
1	.700	.270	.405	.980	2-1/4	5/8	1-1/4	Hex	1/2	3/4-10	7/8	Z202235SS
1	.700	.270	.405	.980	2-1/2	5/8	1-1/4	Hex	1/2	3/4-10	1	Z202240SS
1	.700	.270	.405	.980	2-3/4	5/8	1-1/4	Hex	1/2	3/4-10	1	Z202245SS
1	.700	.270	.405	.980	3	5/8	1-1/4	Hex	1/2	3/4-10	1	Z202250SS

## Threaded Mounting Blocks—Lug-Mount – Inch

Steel | Black Oxide

### Product Information

Lug-mount blocks for mounting threaded-body shock absorbers. Use jam nut (not included) to secure in position.



A	B	C	E	Thickness	Thread Size	Steel Part Number
3	2	2.5	.220	.380	9/16-18	ZLUGK26
3	2	2.5	.220	.380	3/4-16	ZLUGK32
3	2	2.5	.220	.380	7/8-14	ZLUGK33
3	2	2.5	.220	.380	1"-12	ZLUGK34
3	2	2.5	.220	.380	1-1/4"-12	ZLUGK35
3	2	2.5	.220	.380	1-3/8"-12	ZLUGK36
3	2	2.5	.220	.380	M14 x 1.5	ZLUGK41
3	2	2.5	.220	.380	M20 x 1.5	ZLUGK42
3	2	2.5	.220	.380	M25 x 1.5	ZLUGK43
3	2	2.5	.220	.380	M33 x 1.5	ZLUGK44
3	2	2.5	.220	.380	M36 x 1.5	ZLUGK45

## Brackets for Nose-Mount Gearmotors – Inch

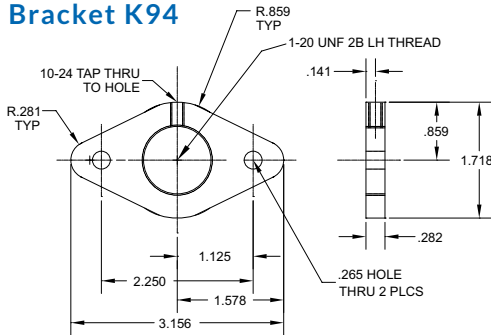
Steel | Black Oxide

### Product Information

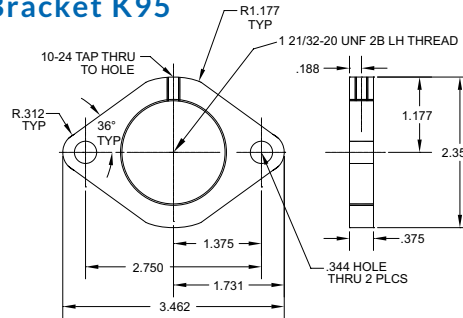
Mounting Brackets for .3 & .5 hp Nose-Mount Air-Powered Gearmotor with left-hand threads on the motor's nose.



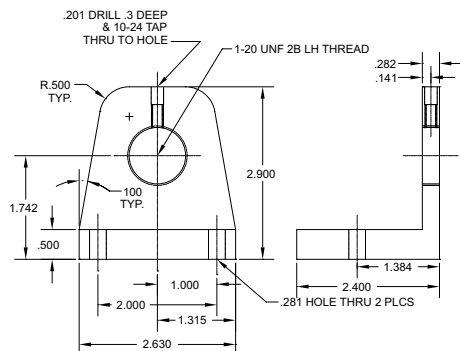
#### Bracket K94



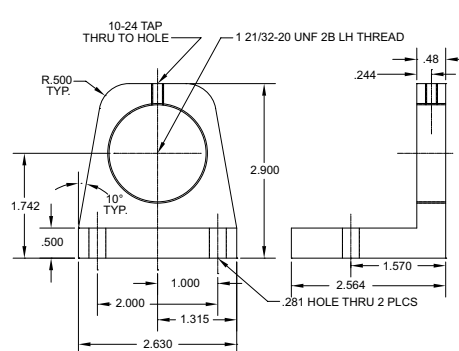
#### Bracket K95



#### Bracket K91



#### Bracket K92



### Flange-Mount Brackets, Inch

Threads	Length	Steel Part Number
1-20	3-1/8	BracketK94
1-21/32-20	3-1/2	BracketK95



### Foot-Mount Brackets, Inch

Threads	Length	Steel Part Number
1-20	3-1/8	BracketK91
1-21/32-20	3-1/2	BracketK92



ACCURATE  
MANUFACTURED  
PRODUCTS  
GROUP

# Male-Female Hex Thread Adapters



Copyright © 2023 Accurate Manufactured Products Group, All Rights Reserved, AMPG, inc.

Visit us online at [ampg.com](http://ampg.com) or email [sales@ampg.com](mailto:sales@ampg.com)

8090 Woodland Drive  
Indianapolis, IN 46278

p: 317.472.9000  
f: 317.472.9010

## Male-Female Hex Thread Adapters – Inch & Metric



316 Stainless Steel | Plain  
18-8 Stainless Steel | Plain  
Aluminum | Plain  
Steel | Zinc Steel | Black Oxide

### Product Information

These Male-Female Thread Adapters are available in Inch-to-Inch, Inch-to-Metric, and Metric-to-Metric sizes.

Join threads with small diameters to large or coarse threads to fine with these inch-sized adapters. Use them to position components in an assembly, or to create space between parts. An external hex lets you tighten or loosen them with a wrench.

Change inch threads to metric with these adapters, or swap metric threads for inch. An external hex lets you tighten or loosen them with a wrench. You can also use them to increase or reduce your thread size, or to create space between parts in an assembly. They meet ASTM specifications, which means the materials they are made from or plated with adhere to specific standards for chemical and physical properties, such as hardness.

- **Stainless Steel 18-8 (303)** : Type 303 (18-8) stainless steel offers excellent corrosion resistance. Maybe mildly magnetic. The most widely used stainless steel used in chemical and food processing equipment. Corrosion resistant to a wide range of chemicals; most dyes, food and nitric acid. For areas exposed to salt water or chemicals, 316 stainless steel adapters are the best choice. Only harsh chemicals, such as hydrochloric acid, will cause them to corrode.
- **Stainless Steel 316 (316/316L)** : Type 316 stainless steel is a chrome-nickel steel with superior corrosion resistance than 303 stainless steel. Widely used in chemical processing and marine environments, as the molybdenum in 316 stainless steel has higher resistance to chlorides. Type 316 is generally considered non-magnetic, but can become magnetic when cold worked.
- **Aluminum** : Aluminum has the strength of mild steel with one third the weight. Material is nonmagnetic. A corrosion resistant layer forms naturally on its surface, so aluminum offers good corrosion resistance to salt water and chemicals.
- **Black Oxide Steel** : Steel offers low strength properties and is magnetic. Steel is used in many general purpose applications and has a black oxide finish to prevent rust.



18-8 Stainless Steel



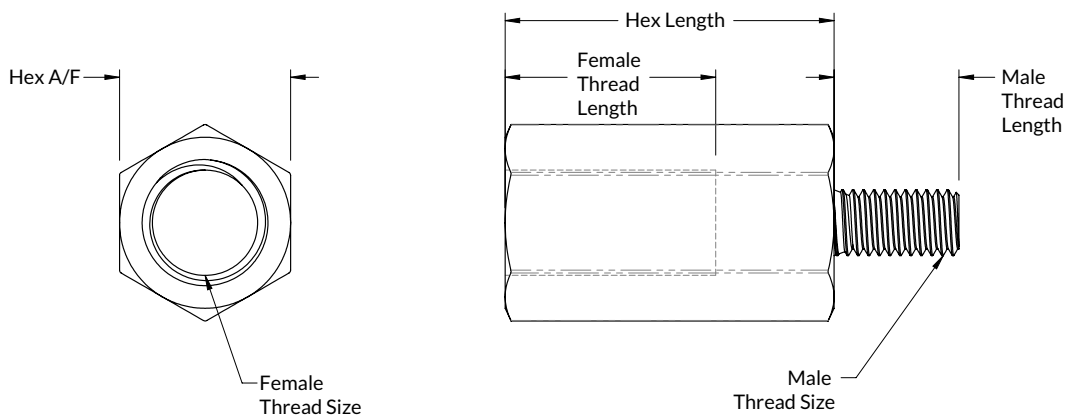
316 Stainless Steel



Aluminum



Black Oxide Steel



## Male-Female Thread Adapters



Male Thread A Side	Male Thd Lth A Side	Male Thread B Side	Male Thd Lth B Side	Female Thread B Side	Female Thd Lth B Side	Hex A/F	Hex Length	Material	Part Number
2-56	5/32	—	—	4-40	1/4	1/4	1/2	316	ZTA2CX4C-316
2-56	5/32	—	—	6-32	1/4	1/4	1/2	316	ZTA2CX6C-316
2-56	5/32	—	—	8-32	1/4	1/4	1/2	316	ZTA2CX8CF-316
2-56	5/32	4-40	3/16	—	—	3/16	1/8	316	ZTAE2CX4C-316
2-56	5/32	4-48	3/16	—	—	3/16	1/8	18-8	ZTAE2CX4F-188
2-56	5/32	8-32	3/16	—	—	1/4	1/8	316	ZTAE2CX8C-316
4-40	3/16	—	—	6-32	1/4	1/4	1/2	316	ZTA4CX6C-316
4-40	3/16	—	—	8-32	1/4	1/4	1/2	316	ZTA4CX8C-316
4-40	3/16	—	—	10-24	1/4	1/4	1/2	18-8	ZTA4CX10C-188
4-40	3/16	—	—	10-24	1/4	1/4	1/2	316	ZTA4CX10C-316
4-40	3/16	—	—	10-32	1/4	1/4	1/2	316	ZTA4CX10F-316
4-40	3/16	4-48	3/16	—	—	1/4	1/8	18-8	ZTAE4CX4F-188
4-40	3/16	6-32	1/4	—	—	1/4	1/8	316	ZTAE4CX6C-316
4-40	3/16	6-40	1/4	—	—	1/4	1/8	18-8	ZTAE4CX6F-188
4-40	3/16	8-32	1/4	—	—	1/4	1/8	316	ZTAE4CX8C-316
4-40	3/16	10-24	1/4	—	—	5/16	1/8	18-8	ZTAE4CX10C-188
4-40	3/16	10-24	1/4	—	—	5/16	1/8	316	ZTAE4CX10C-316
4-40	3/16	10-32	1/4	—	—	5/16	1/8	316	ZTAE4CX10F-316
4-48	3/16	—	—	4-40	7/32	1/4	1/2	18-8	ZTA4FX4C-188
4-48	3/16	—	—	6-32	1/4	1/4	1/2	18-8	ZTA4FX6C-188
4-48	3/16	6-32	1/4	—	—	1/4	1/8	18-8	ZTAE4FX6C-188
4-48	3/16	6-40	1/4	—	—	1/4	1/8	18-8	ZTAE4FX6F-188
6-32	1/4	—	—	10-24	7/16	3/8	3/4	18-8	ZTA6CX10C-188
6-32	1/4	—	—	10-32	7/16	3/8	3/4	316	ZTA6CX10F-316
6-32	1/4	—	—	1/4-20	7/16	3/8	3/4	18-8	ZTA6CX14C-188
6-32	1/4	—	—	1/4-20	7/16	3/8	3/4	316	ZTA6CX14C-316
6-32	1/4	—	—	1/4-20	7/16	3/8	3/4	Alum	ZTA6CX14C-AL
6-32	1/4	—	—	4-40	1/4	1/4	1/2	316	ZTA6CX4C-316
6-32	1/4	—	—	8-32	7/16	3/8	3/4	316	ZTA6CX8C-316
6-32	1/4	—	—	M4 x 0.7	1/8	1/4	1/2	316	ZTA6CXM4C-316
6-32	1/4	—	—	M5 x 0.8	1/8	1/4	1/2	316	ZTA6CXM5C-316
6-32	1/4	10-24	3/8	—	—	5/16	1/8	18-8	ZTAE6CX10C-188
6-32	1/4	10-24	3/8	—	—	5/16	1/8	316	ZTAE6CX10C-316
6-32	1/4	10-32	3/8	—	—	5/16	1/8	316	ZTAE6CX10F-316
6-32	1/4	1/4-20	3/8	—	—	3/8	3/16	316	ZTAE6CX14C-316
6-32	1/4	4-40	3/16	—	—	1/4	1/8	18-8	ZTAE6CX4C-188
6-32	1/4	6-40	1/4	—	—	1/4	1/8	18-8	ZTAE6CX6F-188
6-32	1/4	8-32	3/8	—	—	1/4	1/8	316	ZTAE6CX8C-316
6-32	1/4	8-36	3/8	—	—	1/4	1/8	18-8	ZTAE6CX8F-188

18-8 SS, 316 SS,  
Alum, Steel



## Male-Female Thread Adapters

Male Thread A Side	Male Thd Lth A Side	Male Thread B Side	Male Thd Lth B Side	Female Thread B Side	Female Thd Lth B Side	Hex A/F	Hex Length	Material	Part Number
6-32	1/4	M4 x 0.7	3/8	—	—	1/4	1/8	316	ZTAE6CXM4C-316
6-32	1/4	M4 x 0.5	3/8	—	—	1/4	1/8	18-8	ZTAE6CXM4F-188
6-32	1/4	M5 x 0.8	3/8	—	—	1/4	1/8	316	ZTAE6CXM5C-316
6-32	1/4	M5 x 0.5	3/8	—	—	1/4	1/8	18-8	ZTAE6CXM5F-188
6-40	1/4	—	—	4-40	1/4	1/4	1/2	18-8	ZTA6FX4C-188
6-40	1/4	—	—	4-40	1/4	1/4	1/2	316	ZTA6FX4C-316
6-40	1/4	—	—	6-32	7/16	3/8	3/4	18-8	ZTA6FX6C-188
6-40	1/4	—	—	8-32	7/16	3/8	3/4	18-8	ZTA6FX8C-188
6-40	1/4	—	—	M4 x 0.7	1/8	1/4	1/2	18-8	ZTA6FXM4C-188
6-40	1/4	—	—	M4 x 0.7	1/8	1/4	1/2	316	ZTA6FXM4C-316
6-40	1/4	—	—	M5 x 0.8	1/8	1/4	1/2	18-8	ZTA6FXM5C-188
6-40	1/4	—	—	M5 x 0.8	1/8	1/4	1/2	316	ZTA6FXM5C-316
6-40	1/4	8-32	3/8	—	—	1/4	1/8	18-8	ZTAE6FX8C-188
6-40	1/4	8-36	3/8	—	—	1/4	1/8	18-8	ZTAE6FX8F-188
6-40	1/4	M4 x 0.7	3/8	—	—	1/4	1/8	18-8	ZTAE6FXM4C-188
6-40	1/4	M4 x 0.7	3/8	—	—	1/4	1/8	316	ZTAE6FXM4C-316
6-40	1/4	M5 x 0.8	3/8	—	—	1/4	1/8	18-8	ZTAE6FXM5C-188
6-40	1/4	M5 x 0.8	3/8	—	—	1/4	1/8	316	ZTAE6FXM5C-316
6-40	1/4	M5 x 0.5	3/8	—	—	1/4	1/8	18-8	ZTAE6FXM5F-188
8-32	21/64	—	—	10-32	9/32	3/8	3/4	316	ZTA8CX10F-316
8-32	3/8	—	—	10-24	7/16	3/8	3/4	316	ZTA8CX10C-316
8-32	3/8	—	—	1/4-20	9/32	1/2	3/4	316	ZTA8CX14C-316
8-32	3/8	—	—	5/16-18	9/32	1/2	3/4	316	ZTA8CX51C-316
8-32	3/8	—	—	6-32	1/4	3/8	1/2	316	ZTA8CX6C-316
8-32	3/8	—	—	M5 x 0.8	3/8	3/8	3/4	316	ZTA8CXM5C-316
8-32	3/8	—	—	M6 x 1	3/8	3/8	3/4	316	ZTA8CXM6C-316
8-32	3/8	10-24	3/8	—	—	5/16	1/8	18-8	ZTAE8CX10C-188
8-32	3/8	10-32	3/8	—	—	5/16	1/8	316	ZTAE8CX10F-316
8-32	3/8	1/4-20	3/8	—	—	3/8	3/16	316	ZTAE8CX14C-316
8-32	3/8	5/16-18	3/8	—	—	1/2	3/16	316	ZTAE8CX51C-316
8-32	3/8	8-36	3/8	—	—	1/4	1/8	18-8	ZTAE8CX8F-188
8-32	3/8	M5 x 0.8	3/8	—	—	1/4	1/8	316	ZTAE8CXM5C-316
8-32	3/8	M5 x 0.5	3/8	—	—	1/4	1/8	18-8	ZTAE8CXM5F-188
8-32	3/8	M6 x 1	1/2	—	—	5/16	1/8	316	ZTAE8CXM6C-316
8-32	3/8	M6 x 0.75	1/2	—	—	5/16	1/8	18-8	ZTAE8CXM6F-188
8-36	21/64	—	—	10-32	9/32	3/8	3/4	18-8	ZTA8FX10F-188
8-36	21/64	—	—	10-32	9/32	3/8	3/4	316	ZTA8FX10F-316
8-36	3/8	—	—	10-24	7/16	3/8	3/4	18-8	ZTA8FX10C-188
8-36	3/8	—	—	6-32	1/4	3/8	1/2	18-8	ZTA8FX6C-188
8-36	3/8	—	—	8-32	7/16	3/8	3/4	18-8	ZTA8FX8C-188



## Male-Female Thread Adapters



Male Thread A Side	Male Thd Lth A Side	Male Thread B Side	Male Thd Lth B Side	Female Thread B Side	Female Thd Lth B Side	Hex A/F	Hex Length	Material	Part Number
8-36	3/8	—	—	M5 x 0.8	3/8	3/8	3/4	18-8	ZTA8FXM5C-188
8-36	3/8	—	—	M5 x 0.8	3/8	3/8	3/4	316	ZTA8FXM5C-316
8-36	3/8	—	—	M6 x 1	3/8	3/8	3/4	18-8	ZTA8FXM6C-188
8-36	3/8	—	—	M6 x 1	3/8	3/8	3/4	316	ZTA8FXM6C-316
8-36	3/8	10-24	3/8	—	—	5/16	1/8	18-8	ZTAE8FX10C-188
8-36	3/8	10-32	3/8	—	—	5/16	1/8	18-8	ZTAE8FX10F-188
8-36	3/8	10-32	3/8	—	—	5/16	1/8	316	ZTAE8FX10F-316
8-36	3/8	M5 x 0.8	3/8	—	—	1/4	1/8	18-8	ZTAE8FXM5C-188
8-36	3/8	M5 x 0.8	3/8	—	—	1/4	1/8	316	ZTAE8FXM5C-316
8-36	3/8	M5 x 0.5	3/8	—	—	1/4	1/8	18-8	ZTAE8FXM5F-188
8-36	3/8	M6 x 1	1/2	—	—	5/16	1/8	18-8	ZTAE8FXM6C-188
8-36	3/8	M6 x 1	1/2	—	—	5/16	1/8	316	ZTAE8FXM6C-316
8-36	3/8	M6 x 1	1/2	—	—	5/16	1/8	Alum	ZTAE8FXM6C-AL
8-36	3/8	M6 x 0.75	1/2	—	—	5/16	1/8	18-8	ZTAE8FXM6F-188
10-24	3/8	—	—	10-32	1/2	3/8	3/4	316	ZTA10CX10F-316
10-24	3/8	—	—	1/4-20	3/8	1/2	3/4	18-8	ZTA10CX14C-188
10-24	3/8	—	—	1/4-20	3/8	1/2	3/4	316	ZTA10CX14C-316
10-24	3/8	—	—	1/4-20	3/8	1/2	3/4	Alum	ZTA10CX14C-AL
10-24	3/8	—	—	1/4-32	3/8	1/2	3/4	18-8	ZTA10CX14EF-188
10-24	3/8	—	—	1/4-28	3/8	1/2	3/4	18-8	ZTA10CX14F-188
10-24	3/8	—	—	3/8-16	9/16	1/2	1	18-8	ZTA10CX38C-188
10-24	3/8	—	—	3/8-16	9/16	1/2	1	316	ZTA10CX38C-316
10-24	3/8	—	—	3/8-16	9/16	1/2	1	Alum	ZTA10CX38C-AL
10-24	3/8	—	—	3/8-16	9/16	1/2	1	Stl Blk	ZTA10CX38CSTL-B
10-24	3/8	—	—	5/16-18	3/8	1/2	3/4	18-8	ZTA10CX51C-188
10-24	3/8	—	—	5/16-18	3/8	1/2	3/4	316	ZTA10CX51C-316
10-24	3/8	—	—	5/16-32	3/8	1/2	3/4	18-8	ZTA10CX51EF-188
10-24	3/8	—	—	5/16-24	3/8	1/2	3/4	18-8	ZTA10CX51F-188
10-24	3/8	—	—	8-32	9/32	3/8	3/4	18-8	ZTA10CX8C-188
10-24	3/8	—	—	8-32	9/32	3/8	3/4	316	ZTA10CX8C-316
10-24	3/8	—	—	M5 x 0.8	3/8	3/8	3/4	18-8	ZTA10CXM5C-188
10-24	3/8	—	—	M5 x 0.8	3/8	3/8	3/4	316	ZTA10CXM5C-316
10-24	3/8	—	—	M6 x 1	7/16	3/8	3/4	18-8	ZTA10CXM6C-188
10-24	3/8	—	—	M6 x 1	7/16	3/8	3/4	316	ZTA10CXM6C-316
10-24	3/8	—	—	M8 x 1.25	7/16	1/2	3/4	18-8	ZTA10CXM8C-188
10-24	3/8	—	—	M8 x 1.25	7/16	1/2	3/4	316	ZTA10CXM8C-316
10-24	3/8	—	—	M8 x 1	7/16	1/2	3/4	18-8	ZTA10CXM8F-188
10-24	3/8	—	—	M8 x 1	7/16	1/2	3/4	316	ZTA10CXM8F-316
10-24	3/8	10-32	3/8	—	—	5/16	1/8	316	ZTAE10CX10F-316
10-24	3/8	10-32	3/8	—	—	5/16	1/8	Alum	ZTAE10CX10F-AL
10-24	3/8	1/4-20	5/8	—	—	3/8	3/16	18-8	ZTAE10CX14C-188

18-8 SS, 316 SS,  
Alum, Steel

## Male-Female Thread Adapters



Male Thread A Side	Male Thd Lth A Side	Male Thread B Side	Male Thd Lth B Side	Female Thread B Side	Female Thd Lth B Side	Hex A/F	Hex Length	Material	Part Number
10-24	3/8	1/4-20	5/8	—	—	3/8	3/16	316	ZTAE10CX14C-316
10-24	3/8	1/4-20	5/8	—	—	3/8	3/16	Alum	ZTAE10CX14C-AL
10-24	3/8	1/4-20	3/8	—	—	3/8	3/16	Stl Blk	ZTAE10CX14CSTL-B
10-24	3/8	1/4-32	5/8	—	—	3/8	3/16	18-8	ZTAE10CX14EF-188
10-24	3/8	1/4-28	5/8	—	—	3/8	3/16	18-8	ZTAE10CX14F-188
10-24	3/8	1/4-28	5/8	—	—	3/8	3/16	316	ZTAE10CX14F-316
10-24	3/8	3/8-16	5/8	—	—	9/16	1/4	18-8	ZTAE10CX38C-188
10-24	3/8	3/8-16	5/8	—	—	9/16	1/4	316	ZTAE10CX38C-316
10-24	3/8	3/8-16	5/8	—	—	9/16	1/4	Alum	ZTAE10CX38C-AL
10-24	3/8	3/8-16	3/8	—	—	9/16	1/4	Stl Blk	ZTAE10CX38CSTL-B
10-24	3/8	5/16-18	5/8	—	—	1/2	3/16	18-8	ZTAE10CX51C-188
10-24	3/8	5/16-18	5/8	—	—	1/2	3/16	316	ZTAE10CX51C-316
10-24	3/8	5/16-18	5/8	—	—	1/2	3/16	Alum	ZTAE10CX51C-AL
10-24	3/8	5/16-32	5/8	—	—	1/2	3/16	18-8	ZTAE10CX51EF-188
10-24	3/8	5/16-24	5/8	—	—	1/2	3/16	18-8	ZTAE10CX51F-188
10-24	3/8	5/16-24	5/8	—	—	1/2	3/16	316	ZTAE10CX51F-316
10-24	3/8	M5 x 0.8	3/8	—	—	5/16	1/8	18-8	ZTAE10CXM5C-188
10-24	3/8	M5 x 0.8	3/8	—	—	5/16	1/8	316	ZTAE10CXM5C-316
10-24	3/8	M5 x 0.8	3/8	—	—	5/16	1/8	Alum	ZTAE10CXM5C-AL
10-24	3/8	M5 x 0.5	3/8	—	—	5/16	1/8	18-8	ZTAE10CXM5F-188
10-24	3/8	M6 x 1	1/2	—	—	5/16	1/8	18-8	ZTAE10CXM6C-188
10-24	3/8	M6 x 1	1/2	—	—	5/16	1/8	316	ZTAE10CXM6C-316
10-24	3/8	M6 x 1	1/2	—	—	5/16	1/8	Alum	ZTAE10CXM6C-AL
10-24	3/8	M6 x 0.75	1/2	—	—	5/16	1/8	18-8	ZTAE10CXM6F-188
10-24	5/8	M8 x 1.25	1/2	—	—	1/2	3/16	18-8	ZTAE10CXM8C-188
10-24	5/8	M8 x 1.25	1/2	—	—	1/2	3/16	316	ZTAE10CXM8C-316
10-24	5/8	M8 x 1.25	1/2	—	—	1/2	3/16	Alum	ZTAE10CXM8C-AL
10-24	5/8	M8 x 1	1/2	—	—	1/2	3/16	18-8	ZTAE10CXM8F-188
10-24	5/8	M8 x 1	1/2	—	—	1/2	3/16	316	ZTAE10CXM8F-316
10-32	3/8	—	—	10-24	7/16	3/8	3/4	316	ZTA10FX10C-316
10-32	3/8	—	—	1/4-20	3/8	1/2	3/4	316	ZTA10FX14C-316
10-32	3/8	—	—	1/4-32	3/8	1/2	3/4	18-8	ZTA10FX14EF-188
10-32	3/8	—	—	1/4-28	3/8	1/2	3/4	18-8	ZTA10FX14F-188
10-32	3/8	—	—	3/8-16	9/16	1/2	1	18-8	ZTA10FX38C-188
10-32	3/8	—	—	3/8-16	9/16	1/2	1	316	ZTA10FX38C-316
10-32	3/8	—	—	3/8-16	9/16	1/2	1	Alum	ZTA10FX38C-AL
10-32	3/8	—	—	3/8-16	9/16	1/2	1	Stl Blk	ZTA10FX38CSTL-B
10-32	3/8	—	—	5/16-18	3/8	1/2	3/4	316	ZTA10FX51C-316
10-32	3/8	—	—	5/16-32	3/8	1/2	3/4	18-8	ZTA10FX51EF-188
10-32	3/8	—	—	5/16-24	3/8	1/2	3/4	18-8	ZTA10FX51F-188

## Male-Female Thread Adapters



Male Thread A Side	Male Thd Lth A Side	Male Thread B Side	Male Thd Lth B Side	Female Thread B Side	Female Thd Lth B Side	Hex A/F	Hex Length	Material	Part Number
10-32	3/8	—	—	5/16-24	3/8	1/2	3/4	316	ZTA10FX51F-316
10-32	3/8	—	—	8-32	9/32	3/8	3/4	316	ZTA10FX8C-316
10-32	3/8	—	—	M5 x 0.8	3/8	3/8	3/4	316	ZTA10FXM5C-316
10-32	3/8	—	—	M6 x 1	7/16	3/8	3/4	316	ZTA10FXM6C-316
10-32	3/8	—	—	M6 x 0.75	7/16	3/8	3/4	18-8	ZTA10FXM6F-188
10-32	3/8	—	—	M8 x 1.25	7/16	1/2	3/4	316	ZTA10FXM8C-316
10-32	3/8	—	—	M8 x 1	7/16	1/2	3/4	18-8	ZTA10FXM8F-188
10-32	3/8	—	—	M8 x 1	7/16	1/2	3/4	316	ZTA10FXM8F-316
10-32	3/8	1/4-20	5/8	—	—	3/8	3/16	316	ZTAE10FX14C-316
10-32	3/8	1/4-32	5/8	—	—	3/8	3/16	18-8	ZTAE10FX14EF-188
10-32	3/8	1/4-28	5/8	—	—	3/8	3/16	18-8	ZTAE10FX14F-188
10-32	3/8	1/4-28	5/8	—	—	3/8	3/16	316	ZTAE10FX14F-316
10-32	3/8	3/8-16	5/8	—	—	9/16	1/4	18-8	ZTAE10FX38C-188
10-32	3/8	3/8-16	5/8	—	—	9/16	1/4	316	ZTAE10FX38C-316
10-32	3/8	3/8-16	5/8	—	—	9/16	1/4	Alum	ZTAE10FX38C-AL
10-32	3/8	5/16-18	5/8	—	—	1/2	3/16	316	ZTAE10FX51C-316
10-32	3/8	5/16-32	5/8	—	—	1/2	3/16	18-8	ZTAE10FX51EF-188
10-32	3/8	5/16-24	5/8	—	—	1/2	3/16	18-8	ZTAE10FX51F-188
10-32	3/8	5/16-24	5/8	—	—	1/2	3/16	316	ZTAE10FX51F-316
10-32	3/8	M5 x 0.8	3/8	—	—	5/16	1/8	316	ZTAE10FXM5C-316
10-32	3/8	M5 x 0.5	3/8	—	—	5/16	1/8	18-8	ZTAE10FXM5F-188
10-32	3/8	M6 x 1	1/2	—	—	5/16	1/8	316	ZTAE10FXM6C-316
10-32	3/8	M6 x 0.75	1/2	—	—	5/16	1/8	18-8	ZTAE10FXM6F-188
10-32	3/8	M8 x 1.25	1/2	—	—	1/2	3/16	316	ZTAE10FXM8C-316
10-32	3/8	M8 x 1	1/2	—	—	1/2	3/16	18-8	ZTAE10FXM8F-188
10-32	3/8	M8 x 1	1/2	—	—	1/2	3/16	316	ZTAE10FXM8F-316
1/4-20	1/2	—	—	10-32	9/32	1/2	3/4	316	ZTA14CX10F-316
1/4-20	1/2	—	—	1/2-13	3/4	3/4	1-1/2	316	ZTA14CX12C-316
1/4-20	1/2	—	—	1/2-13	3/4	3/4	1-1/2	Alum	ZTA14CX12C-AL
1/4-20	1/2	—	—	1/2-28	3/4	3/4	1-1/2	18-8	ZTA14CX12EF-188
1/4-20	1/2	—	—	1/2-28	3/4	3/4	1-1/2	316	ZTA14CX12EF-316
1/4-20	1/2	—	—	1/2-20	3/4	3/4	1-1/2	18-8	ZTA14CX12F-188
1/4-20	1/2	—	—	1/2-20	3/4	3/4	1-1/2	316	ZTA14CX12F-316
1/4-20	1/2	—	—	1/2-20	3/4	3/4	1-1/2	Alum	ZTA14CX12F-AL
1/4-20	1/2	—	—	1/2-20	3/4	3/4	1-1/2	Stl Blk	ZTA14CX12FSTL-B
1/4-20	1/2	—	—	3/8-16	9/16	5/8	1	316	ZTA14CX38C-316
1/4-20	1/2	—	—	3/8-16	9/16	5/8	1	Alum	ZTA14CX38C-AL
1/4-20	1/2	—	—	3/8-32	9/16	5/8	1	18-8	ZTA14CX38EF-188
1/4-20	1/2	—	—	3/8-32	9/16	5/8	1	316	ZTA14CX38EF-316
1/4-20	1/2	—	—	3/8-24	9/16	5/8	1	18-8	ZTA14CX38F-188

## Male-Female Thread Adapters



Male Thread A Side	Male Thd Lth A Side	Male Thread B Side	Male Thd Lth B Side	Female Thread B Side	Female Thd Lth B Side	Hex A/F	Hex Length	Material	Part Number
1/4-20	1/2	—	—	3/8-24	9/16	5/8	1	316	ZTA14CX38F-316
1/4-20	1/2	—	—	3/8-24	9/16	5/8	1	Alum	ZTA14CX38F-AL
1/4-20	1/2	—	—	5/16-18	15/32	1/2	1	316	ZTA14CX51C-316
1/4-20	1/2	—	—	5/16-32	15/32	1/2	1	18-8	ZTA14CX51EF-188
1/4-20	1/2	—	—	5/16-24	15/32	1/2	1	18-8	ZTA14CX51F-188
1/4-20	1/2	—	—	5/16-24	15/32	1/2	1	316	ZTA14CX51F-316
1/4-20	1/2	—	—	M10 x 1.5	9/16	5/8	1	18-8	ZTA14CXM10C-188
1/4-20	1/2	—	—	M10 x 1.5	9/16	5/8	1	316	ZTA14CXM10C-316
1/4-20	1/2	—	—	M10 x 1.5	9/16	5/8	1	Alum	ZTA14CXM10C-AL
1/4-20	1/2	—	—	M10 x 1	9/16	5/8	1	18-8	ZTA14CXM10EF-188
1/4-20	1/2	—	—	M10 x 1	9/16	5/8	1	316	ZTA14CXM10EF-316
1/4-20	1/2	—	—	M10 x 1	9/16	5/8	1	Alum	ZTA14CXM10EF-AL
1/4-20	1/2	—	—	M10 x 1.25	9/16	5/8	1	18-8	ZTA14CXM10F-188
1/4-20	1/2	—	—	M10 x 1.25	9/16	5/8	1	316	ZTA14CXM10F-316
1/4-20	1/2	—	—	M10 x 1.25	9/16	5/8	1	Alum	ZTA14CXM10F-AL
1/4-20	1/2	—	—	M12 x 1.75	3/4	3/4	1-1/2	18-8	ZTA14CXM12C-188
1/4-20	1/2	—	—	M12 x 1.75	3/4	3/4	1-1/2	316	ZTA14CXM12C-316
1/4-20	1/2	—	—	M12 x 1.75	3/4	3/4	1-1/2	Alum	ZTA14CXM12C-AL
1/4-20	1/2	—	—	M12 x 1.25	3/4	3/4	1-1/2	18-8	ZTA14CXM12EF-188
1/4-20	1/2	—	—	M12 x 1.25	3/4	3/4	1-1/2	316	ZTA14CXM12EF-316
1/4-20	1/2	—	—	M12 x 1.25	3/4	3/4	1-1/2	Alum	ZTA14CXM12EF-AL
1/4-20	1/2	—	—	M12 x 1.5	3/4	3/4	1-1/2	18-8	ZTA14CXM12F-188
1/4-20	1/2	—	—	M12 x 1.5	3/4	3/4	1-1/2	316	ZTA14CXM12F-316
1/4-20	1/2	—	—	M12 x 1.5	3/4	3/4	1-1/2	Alum	ZTA14CXM12F-AL
1/4-20	5/8	—	—	10-24	7/16	1/2	3/4	316	ZTA14CX10C-316
1/4-20	5/8	—	—	1/4-32	5/8	1/2	1	18-8	ZTA14CX14EF-188
1/4-20	5/8	—	—	1/4-28	5/8	1/2	1	316	ZTA14CX14F-316
1/4-20	5/8	—	—	M5 x 0.8	7/16	1/2	3/4	316	ZTA14CXM5C-316
1/4-20	5/8	—	—	M5 x 0.5	7/16	1/2	3/4	18-8	ZTA14CXM5F-188
1/4-20	5/8	—	—	M6 x 1	7/16	1/2	3/4	316	ZTA14CXM6C-316
1/4-20	5/8	—	—	M6 x 0.75	7/16	1/2	3/4	18-8	ZTA14CXM6F-188
1/4-20	5/8	—	—	M8 x 1.25	3/8	1/2	3/4	316	ZTA14CXM8C-316
1/4-20	5/8	—	—	M8 x 1	3/8	1/2	3/4	18-8	ZTA14CXM8F-188
1/4-20	5/8	—	—	M8 x 1	3/8	1/2	3/4	316	ZTA14CXM8F-316
1/4-20	5/8	1/2-13	3/4	—	—	3/4	3/8	316	ZTAE14CX12C-316
1/4-20	5/8	1/2-13	3/4	—	—	3/4	3/8	Alum	ZTAE14CX12C-AL
1/4-20	5/8	1/2-13	3/4	—	—	3/4	3/8	Stl Blk	ZTAE14CX12CSTL-B
1/4-20	5/8	1/2-28	3/4	—	—	3/4	3/8	18-8	ZTAE14CX12EF-188
1/4-20	5/8	1/2-28	3/4	—	—	3/4	3/8	316	ZTAE14CX12EF-316
1/4-20	5/8	1/2-28	3/4	—	—	3/4	3/8	Alum	ZTAE14CX12EF-AL
1/4-20	5/8	1/2-20	3/4	—	—	3/4	3/8	18-8	ZTAE14CX12F-188

## Male-Female Thread Adapters



Male Thread A Side	Male Thd Lth A Side	Male Thread B Side	Male Thd Lth B Side	Female Thread B Side	Female Thd Lth B Side	Hex A/F	Hex Length	Material	Part Number
1/4-20	5/8	1/2-20	3/4	–	–	3/4	3/8	316	ZTAE14CX12F-316
1/4-20	5/8	1/2-20	3/4	–	–	3/4	3/8	Alum	ZTAE14CX12F-AL
1/4-20	5/8	1/4-32	5/8	–	–	3/8	3/16	18-8	ZTAE14CX14EF-188
1/4-20	5/8	1/4-32	5/8	–	–	3/8	3/16	316	ZTAE14CX14EF-316
1/4-20	5/8	1/4-28	5/8	–	–	3/8	3/16	316	ZTAE14CX14F-316
1/4-20	5/8	3/8-16	5/8	–	–	9/16	1/4	316	ZTAE14CX38C-316
1/4-20	5/8	3/8-16	5/8	–	–	9/16	1/4	Alum	ZTAE14CX38C-AL
1/4-20	5/8	3/8-16	5/8	–	–	9/16	1/4	Stl Blk	ZTAE14CX38CSTL-B
1/4-20	5/8	3/8-32	5/8	–	–	9/16	1/4	18-8	ZTAE14CX38EF-188
1/4-20	5/8	3/8-32	5/8	–	–	9/16	1/4	316	ZTAE14CX38EF-316
1/4-20	5/8	3/8-24	5/8	–	–	9/16	1/4	18-8	ZTAE14CX38F-188
1/4-20	5/8	3/8-24	5/8	–	–	9/16	1/4	316	ZTAE14CX38F-316
1/4-20	5/8	3/8-24	5/8	–	–	9/16	1/4	Alum	ZTAE14CX38F-AL
1/4-20	5/8	5/16-18	5/8	–	–	1/2	3/16	316	ZTAE14CX51C-316
1/4-20	5/8	5/16-32	5/8	–	–	1/2	3/16	18-8	ZTAE14CX51EF-188
1/4-20	5/8	5/16-32	5/8	–	–	1/2	3/16	316	ZTAE14CX51EF-316
1/4-20	5/8	5/16-24	5/8	–	–	1/2	3/16	18-8	ZTAE14CX51F-188
1/4-20	5/8	5/16-24	5/8	–	–	1/2	3/16	316	ZTAE14CX51F-316
1/4-20	5/8	5/16-24	5/8	–	–	1/2	3/16	Alum	ZTAE14CX51F-AL
1/4-20	5/8	M10 x 1.5	5/8	–	–	9/16	1/4	18-8	ZTAE14CXM10C-188
1/4-20	5/8	M10 x 1.5	5/8	–	–	9/16	1/4	316	ZTAE14CXM10C-316
1/4-20	5/8	M10 x 1.5	5/8	–	–	9/16	1/4	Alum	ZTAE14CXM10C-AL
1/4-20	5/8	M10 x 1	5/8	–	–	9/16	1/4	18-8	ZTAE14CXM10EF-188
1/4-20	5/8	M10 x 1	5/8	–	–	9/16	1/4	316	ZTAE14CXM10EF-316
1/4-20	5/8	M10 x 1	5/8	–	–	9/16	1/4	Alum	ZTAE14CXM10EF-AL
1/4-20	5/8	M10 x 1.25	5/8	–	–	9/16	1/4	18-8	ZTAE14CXM10F-188
1/4-20	5/8	M10 x 1.25	5/8	–	–	9/16	1/4	316	ZTAE14CXM10F-316
1/4-20	5/8	M10 x 1.25	5/8	–	–	9/16	1/4	Alum	ZTAE14CXM10F-AL
1/4-20	5/8	M12 x 1.75	3/4	–	–	3/4	3/8	18-8	ZTAE14CXM12C-188
1/4-20	5/8	M12 x 1.75	3/4	–	–	3/4	3/8	316	ZTAE14CXM12C-316
1/4-20	5/8	M12 x 1.75	3/4	–	–	3/4	3/8	Alum	ZTAE14CXM12C-AL
1/4-20	5/8	M12 x 1.25	3/4	–	–	3/4	3/8	18-8	ZTAE14CXM12EF-188
1/4-20	5/8	M12 x 1.25	3/4	–	–	3/4	3/8	316	ZTAE14CXM12EF-316
1/4-20	5/8	M12 x 1.25	3/4	–	–	3/4	3/8	Alum	ZTAE14CXM12EF-AL
1/4-20	5/8	M12 x 1.5	3/4	–	–	3/4	3/8	18-8	ZTAE14CXM12F-188
1/4-20	5/8	M12 x 1.5	3/4	–	–	3/4	3/8	316	ZTAE14CXM12F-316
1/4-20	5/8	M12 x 1.5	3/4	–	–	3/4	3/8	Alum	ZTAE14CXM12F-AL
1/4-20	5/8	M5 x 0.8	3/8	–	–	3/8	3/16	316	ZTAE14CXM5C-316
1/4-20	5/8	M5 x 0.5	3/8	–	–	3/8	3/16	18-8	ZTAE14CXM5F-188
1/4-20	5/8	M5 x 0.5	3/8	–	–	3/8	3/16	316	ZTAE14CXM5F-316

18-8 SS, 316 SS,  
Alum, Steel

## Male-Female Thread Adapters



Male Thread A Side	Male Thd Lth A Side	Male Thread B Side	Male Thd Lth B Side	Female Thread B Side	Female Thd Lth B Side	Hex A/F	Hex Length	Material	Part Number
1/4-20	5/8	M6 x 1	1/2	–	–	3/8	3/16	316	ZTAE14CXM6C-316
1/4-20	5/8	M6 x 0.75	1/2	–	–	3/8	3/16	18-8	ZTAE14CXM6F-188
1/4-20	5/8	M6 x 0.75	1/2	–	–	3/8	3/16	316	ZTAE14CXM6F-316
1/4-20	5/8	M8 x 1.25	1/2	–	–	1/2	3/16	316	ZTAE14CXM8C-316
1/4-20	5/8	M8 x 1	1/2	–	–	1/2	3/16	18-8	ZTAE14CXM8F-188
1/4-20	5/8	M8 x 1	1/2	–	–	1/2	3/16	316	ZTAE14CXM8F-316
1/4-20	5/8	M8 x 1	1/2	–	–	1/2	3/16	Alum	ZTAE14CXM8F-AL
1/4-28	1/2	–	–	10-32	9/32	1/2	3/4	18-8	ZTA14FX10F-188
1/4-28	1/2	–	–	10-32	9/32	1/2	3/4	316	ZTA14FX10F-316
1/4-28	1/2	–	–	1/2-13	3/4	3/4	1-1/2	18-8	ZTA14FX12C-188
1/4-28	1/2	–	–	1/2-13	3/4	3/4	1-1/2	316	ZTA14FX12C-316
1/4-28	1/2	–	–	1/2-13	3/4	3/4	1-1/2	Alum	ZTA14FX12C-AL
1/4-28	1/2	–	–	1/2-13	3/4	3/4	1-1/2	Stl Blk	ZTA14FX12CSTL-B
1/4-28	1/2	–	–	1/2-28	3/4	3/4	1-1/2	18-8	ZTA14FX12EF-188
1/4-28	1/2	–	–	1/2-20	3/4	3/4	1-1/2	18-8	ZTA14FX12F-188
1/4-28	1/2	–	–	1/2-20	3/4	3/4	1-1/2	316	ZTA14FX12F-316
1/4-28	1/2	–	–	3/8-16	9/16	5/8	1	18-8	ZTA14FX38C-188
1/4-28	1/2	–	–	3/8-16	9/16	5/8	1	316	ZTA14FX38C-316
1/4-28	1/2	–	–	3/8-16	9/16	5/8	1	Alum	ZTA14FX38C-AL
1/4-28	1/2	–	–	3/8-16	9/16	5/8	1	Stl Blk	ZTA14FX38CSTL-B
1/4-28	1/2	–	–	3/8-32	9/16	5/8	1	18-8	ZTA14FX38EF-188
1/4-28	1/2	–	–	3/8-24	9/16	5/8	1	18-8	ZTA14FX38F-188
1/4-28	1/2	–	–	5/16-18	15/32	1/2	1	18-8	ZTA14FX51C-188
1/4-28	1/2	–	–	5/16-18	15/32	1/2	1	316	ZTA14FX51C-316
1/4-28	1/2	–	–	5/16-32	15/32	1/2	1	18-8	ZTA14FX51EF-188
1/4-28	1/2	–	–	5/16-24	15/32	1/2	1	18-8	ZTA14FX51F-188
1/4-28	1/2	–	–	M10 x 1.5	9/16	5/8	1	18-8	ZTA14FXM10C-188
1/4-28	1/2	–	–	M10 x 1.5	9/16	5/8	1	316	ZTA14FXM10C-316
1/4-28	1/2	–	–	M10 x 1	9/16	5/8	1	18-8	ZTA14FXM10EF-188
1/4-28	1/2	–	–	M10 x 1.25	9/16	5/8	1	18-8	ZTA14FXM10F-188
1/4-28	1/2	–	–	M10 x 1.25	9/16	5/8	1	316	ZTA14FXM10F-316
1/4-28	1/2	–	–	M12 x 1.75	3/4	3/4	1-1/2	18-8	ZTA14FXM12C-188
1/4-28	1/2	–	–	M12 x 1.75	3/4	3/4	1-1/2	316	ZTA14FXM12C-316
1/4-28	1/2	–	–	M12 x 1.25	3/4	3/4	1-1/2	18-8	ZTA14FXM12EF-188
1/4-28	1/2	–	–	M12 x 1.25	3/4	3/4	1-1/2	316	ZTA14FXM12EF-316
1/4-28	1/2	–	–	M12 x 1.5	3/4	3/4	1-1/2	18-8	ZTA14FXM12F-188
1/4-28	1/2	–	–	M12 x 1.5	3/4	3/4	1-1/2	316	ZTA14FXM12F-316
1/4-28	5/8	–	–	10-24	7/16	1/2	3/4	18-8	ZTA14FX10C-188
1/4-28	5/8	–	–	1/4-20	5/8	1/2	1	18-8	ZTA14FX14C-188
1/4-28	5/8	–	–	1/4-20	5/8	1/2	1	316	ZTA14FX14C-316
1/4-28	5/8	–	–	1/4-20	5/8	1/2	1	Alum	ZTA14FX14C-AL

## Male-Female Thread Adapters



Male Thread A Side	Male Thd Lth A Side	Male Thread B Side	Male Thd Lth B Side	Female Thread B Side	Female Thd Lth B Side	Hex A/F	Hex Length	Material	Part Number
1/4-28	5/8	—	—	1/4-32	5/8	1/2	1	18-8	ZTA14FX14EF-188
1/4-28	5/8	—	—	M5 x 0.8	7/16	1/2	3/4	18-8	ZTA14FXM5C-188
1/4-28	5/8	—	—	M5 x 0.8	7/16	1/2	3/4	316	ZTA14FXM5C-316
1/4-28	5/8	—	—	M6 x 1	7/16	1/2	3/4	18-8	ZTA14FXM6C-188
1/4-28	5/8	—	—	M6 x 1	7/16	1/2	3/4	316	ZTA14FXM6C-316
1/4-28	5/8	—	—	M8 x 1.25	3/8	1/2	3/4	18-8	ZTA14FXM8C-188
1/4-28	5/8	—	—	M8 x 1.25	3/8	1/2	3/4	316	ZTA14FXM8C-316
1/4-28	5/8	—	—	M8 x 1	3/8	1/2	3/4	18-8	ZTA14FXM8F-188
1/4-28	5/8	1/2-13	3/4	—	—	3/4	3/8	18-8	ZTAE14FX12C-188
1/4-28	5/8	1/2-13	3/4	—	—	3/4	3/8	316	ZTAE14FX12C-316
1/4-28	5/8	1/2-13	3/4	—	—	3/4	3/8	Alum	ZTAE14FX12C-AL
1/4-28	5/8	1/2-28	3/4	—	—	3/4	3/8	18-8	ZTAE14FX12EF-188
1/4-28	5/8	1/2-20	3/4	—	—	3/4	3/8	18-8	ZTAE14FX12F-188
1/4-28	5/8	1/2-20	3/4	—	—	3/4	3/8	316	ZTAE14FX12F-316
1/4-28	5/8	1/2-20	3/4	—	—	3/4	3/8	Alum	ZTAE14FX12F-AL
1/4-28	5/8	1/4-32	5/8	—	—	3/8	3/16	18-8	ZTAE14FX14EF-188
1/4-28	5/8	3/8-16	5/8	—	—	9/16	1/4	18-8	ZTAE14FX38C-188
1/4-28	5/8	3/8-16	5/8	—	—	9/16	1/4	316	ZTAE14FX38C-316
1/4-28	5/8	3/8-16	5/8	—	—	9/16	1/4	Alum	ZTAE14FX38C-AL
1/4-28	5/8	3/8-32	5/8	—	—	9/16	1/4	18-8	ZTAE14FX38EF-188
1/4-28	5/8	3/8-24	5/8	—	—	9/16	1/4	18-8	ZTAE14FX38F-188
1/4-28	5/8	3/8-24	5/8	—	—	9/16	1/4	316	ZTAE14FX38F-316
1/4-28	5/8	5/16-18	5/8	—	—	1/2	3/16	18-8	ZTAE14FX51C-188
1/4-28	5/8	5/16-18	5/8	—	—	1/2	3/16	316	ZTAE14FX51C-316
1/4-28	5/8	5/16-18	5/8	—	—	1/2	3/16	Alum	ZTAE14FX51C-AL
1/4-28	5/8	5/16-32	5/8	—	—	1/2	3/16	18-8	ZTAE14FX51EF-188
1/4-28	5/8	5/16-24	5/8	—	—	1/2	3/16	18-8	ZTAE14FX51F-188
1/4-28	5/8	5/16-24	5/8	—	—	1/2	3/16	316	ZTAE14FX51F-316
1/4-28	5/8	M10 x 1.5	5/8	—	—	9/16	1/4	18-8	ZTAE14FXM10C-188
1/4-28	5/8	M10 x 1.5	5/8	—	—	9/16	1/4	316	ZTAE14FXM10C-316
1/4-28	5/8	M10 x 1	5/8	—	—	9/16	1/4	18-8	ZTAE14FXM10EF-188
1/4-28	5/8	M10 x 1	5/8	—	—	9/16	1/4	316	ZTAE14FXM10EF-316
1/4-28	5/8	M10 x 1.25	5/8	—	—	9/16	1/4	18-8	ZTAE14FXM10F-188
1/4-28	5/8	M10 x 1.25	5/8	—	—	9/16	1/4	316	ZTAE14FXM10F-316
1/4-28	5/8	M12 x 1.75	3/4	—	—	3/4	3/8	18-8	ZTAE14FXM12C-188
1/4-28	5/8	M12 x 1.75	3/4	—	—	3/4	3/8	316	ZTAE14FXM12C-316
1/4-28	5/8	M12 x 1.75	3/4	—	—	3/4	3/8	Alum	ZTAE14FXM12C-AL
1/4-28	5/8	M12 x 1.25	3/4	—	—	3/4	3/8	18-8	ZTAE14FXM12EF-188
1/4-28	5/8	M12 x 1.25	3/4	—	—	3/4	3/8	316	ZTAE14FXM12EF-316
1/4-28	5/8	M12 x 1.25	3/4	—	—	3/4	3/8	Alum	ZTAE14FXM12EF-AL

## Male-Female Thread Adapters



Male Thread A Side	Male Thd Lth A Side	Male Thread B Side	Male Thd Lth B Side	Female Thread B Side	Female Thd Lth B Side	Hex A/F	Hex Length	Material	Part Number
1/4-28	5/8	M12 x 1.5	3/4	—	—	3/4	3/8	18-8	ZTAE14FXM12F-188
1/4-28	5/8	M12 x 1.5	3/4	—	—	3/4	3/8	316	ZTAE14FXM12F-316
1/4-28	5/8	M5 x 0.8	3/8	—	—	3/8	3/16	18-8	ZTAE14FXM5C-188
1/4-28	5/8	M5 x 0.8	3/8	—	—	3/8	3/16	316	ZTAE14FXM5C-316
1/4-28	5/8	M5 x 0.5	3/8	—	—	3/8	3/16	18-8	ZTAE14FXM5F-188
1/4-28	5/8	M6 x 1	1/2	—	—	3/8	3/16	18-8	ZTAE14FXM6C-188
1/4-28	5/8	M6 x 1	1/2	—	—	3/8	3/16	316	ZTAE14FXM6C-316
1/4-28	5/8	M6 x 1	1/2	—	—	3/8	3/16	Alum	ZTAE14FXM6C-AL
1/4-28	5/8	M6 x 0.75	1/2	—	—	3/8	3/16	18-8	ZTAE14FXM6F-188
1/4-28	5/8	M8 x 1.25	1/2	—	—	1/2	3/16	18-8	ZTAE14FXM8C-188
1/4-28	5/8	M8 x 1.25	1/2	—	—	1/2	3/16	316	ZTAE14FXM8C-316
1/4-28	5/8	M8 x 1.25	1/2	—	—	1/2	3/16	Alum	ZTAE14FXM8C-AL
1/4-28	5/8	M8 x 1	1/2	—	—	1/2	3/16	18-8	ZTAE14FXM8F-188
1/4-28	5/8	M8 x 1	1/2	—	—	1/2	3/16	316	ZTAE14FXM8F-316
1/4-32	1/2	—	—	10-32	9/32	1/2	3/4	18-8	ZTA14EFX10F-188
1/4-32	1/2	—	—	10-32	9/32	1/2	3/4	316	ZTA14EFX10F-316
1/4-32	1/2	—	—	1/2-13	3/4	3/4	1-1/2	18-8	ZTA14EFX12C-188
1/4-32	1/2	—	—	1/2-13	3/4	3/4	1-1/2	316	ZTA14EFX12C-316
1/4-32	1/2	—	—	1/2-13	3/4	3/4	1-1/2	Alum	ZTA14EFX12C-AL
1/4-32	1/2	—	—	1/2-28	3/4	3/4	1-1/2	18-8	ZTA14EFX12EF-188
1/4-32	1/2	—	—	1/2-20	3/4	3/4	1-1/2	18-8	ZTA14EFX12F-188
1/4-32	1/2	—	—	1/2-20	3/4	3/4	1-1/2	316	ZTA14EFX12F-316
1/4-32	1/2	—	—	3/8-16	9/16	5/8	1	18-8	ZTA14EFX38C-188
1/4-32	1/2	—	—	3/8-16	9/16	5/8	1	316	ZTA14EFX38C-316
1/4-32	1/2	—	—	3/8-16	9/16	5/8	1	Alum	ZTA14EFX38C-AL
1/4-32	1/2	—	—	3/8-32	9/16	5/8	1	18-8	ZTA14EFX38EF-188
1/4-32	1/2	—	—	3/8-24	9/16	5/8	1	18-8	ZTA14EFX38F-188
1/4-32	1/2	—	—	5/16-18	15/32	1/2	1	18-8	ZTA14EFX51C-188
1/4-32	1/2	—	—	5/16-18	15/32	1/2	1	316	ZTA14EFX51C-316
1/4-32	1/2	—	—	5/16-24	15/32	1/2	1	18-8	ZTA14EFX51F-188
1/4-32	1/2	—	—	M10 x 1.5	9/16	5/8	1	18-8	ZTA14EFXM10C-188
1/4-32	1/2	—	—	M10 x 1	9/16	5/8	1	18-8	ZTA14EFXM10EF-188
1/4-32	1/2	—	—	M10 x 1.25	9/16	5/8	1	18-8	ZTA14EFXM10F-188
1/4-32	1/2	—	—	M12 x 1.75	3/4	3/4	1-1/2	18-8	ZTA14EFXM12C-188
1/4-32	1/2	—	—	M12 x 1.75	3/4	3/4	1-1/2	316	ZTA14EFXM12C-316
1/4-32	1/2	—	—	M12 x 1.25	3/4	3/4	1-1/2	18-8	ZTA14EFXM12EF-188
1/4-32	1/2	—	—	M12 x 1.25	3/4	3/4	1-1/2	316	ZTA14EFXM12EF-316
1/4-32	1/2	—	—	M12 x 1.5	3/4	3/4	1-1/2	18-8	ZTA14EFXM12F-188
1/4-32	5/8	—	—	10-24	7/16	1/2	3/4	18-8	ZTA14EFX10C-188
1/4-32	5/8	—	—	1/4-20	5/8	1/2	1	18-8	ZTA14EFX14C-188
1/4-32	5/8	—	—	1/4-20	5/8	1/2	1	316	ZTA14EFX14C-316



## Male-Female Thread Adapters



Male Thread A Side	Male Thd Lth A Side	Male Thread B Side	Male Thd Lth B Side	Female Thread B Side	Female Thd Lth B Side	Hex A/F	Hex Length	Material	Part Number
1/4-32	5/8	—	—	1/4-28	5/8	1/2	1	18-8	ZTA14EFX14F-188
1/4-32	5/8	—	—	M5 x 0.8	7/16	1/2	3/4	18-8	ZTA14EFXM5C-188
1/4-32	5/8	—	—	M6 x 1	7/16	1/2	3/4	18-8	ZTA14EFXM6C-188
1/4-32	5/8	—	—	M6 x 1	7/16	1/2	3/4	316	ZTA14EFXM6C-316
1/4-32	5/8	—	—	M8 x 1.25	3/8	1/2	3/4	18-8	ZTA14EFXM8C-188
1/4-32	5/8	—	—	M8 x 1.25	3/8	1/2	3/4	316	ZTA14EFXM8C-316
1/4-32	5/8	—	—	M8 x 1	3/8	1/2	3/4	18-8	ZTA14EFXM8F-188
1/4-32	5/8	1/2-13	3/4	—	—	3/4	3/8	18-8	ZTAE14EFX12C-188
1/4-32	5/8	1/2-13	3/4	—	—	3/4	3/8	316	ZTAE14EFX12C-316
1/4-32	5/8	1/2-13	3/4	—	—	3/4	3/8	Alum	ZTAE14EFX12C-AL
1/4-32	5/8	1/2-28	3/4	—	—	3/4	3/8	18-8	ZTAE14EFX12EF-188
1/4-32	5/8	1/2-20	3/4	—	—	3/4	3/8	18-8	ZTAE14EFX12F-188
1/4-32	5/8	1/2-20	3/4	—	—	3/4	3/8	316	ZTAE14EFX12F-316
1/4-32	5/8	3/8-16	5/8	—	—	9/16	1/4	18-8	ZTAE14EFX38C-188
1/4-32	5/8	3/8-16	5/8	—	—	9/16	1/4	316	ZTAE14EFX38C-316
1/4-32	5/8	3/8-16	5/8	—	—	9/16	1/4	Alum	ZTAE14EFX38C-AL
1/4-32	5/8	3/8-32	5/8	—	—	9/16	1/4	18-8	ZTAE14EFX38EF-188
1/4-32	5/8	3/8-24	5/8	—	—	9/16	1/4	18-8	ZTAE14EFX38F-188
1/4-32	5/8	5/16-18	5/8	—	—	1/2	3/16	18-8	ZTAE14EFX51C-188
1/4-32	5/8	5/16-18	5/8	—	—	1/2	3/16	316	ZTAE14EFX51C-316
1/4-32	5/8	5/16-24	5/8	—	—	1/2	3/16	18-8	ZTAE14EFX51F-188
1/4-32	5/8	M10 x 1.5	5/8	—	—	9/16	1/4	18-8	ZTAE14EFXM10C-188
1/4-32	5/8	M10 x 1.5	5/8	—	—	9/16	1/4	316	ZTAE14EFXM10C-316
1/4-32	5/8	M10 x 1.5	5/8	—	—	9/16	1/4	Alum	ZTAE14EFXM10C-AL
1/4-32	5/8	M10 x 1	5/8	—	—	9/16	1/4	18-8	ZTAE14EFXM10EF-188
1/4-32	5/8	M10 x 1.25	5/8	—	—	9/16	1/4	18-8	ZTAE14EFXM10F-188
1/4-32	5/8	M10 x 1.25	5/8	—	—	9/16	1/4	316	ZTAE14EFXM10F-316
1/4-32	5/8	M12 x 1.75	3/4	—	—	3/4	3/8	18-8	ZTAE14EFXM12C-188
1/4-32	5/8	M12 x 1.75	3/4	—	—	3/4	3/8	316	ZTAE14EFXM12C-316
1/4-32	5/8	M12 x 1.25	3/4	—	—	3/4	3/8	18-8	ZTAE14EFXM12EF-188
1/4-32	5/8	M12 x 1.25	3/4	—	—	3/4	3/8	316	ZTAE14EFXM12EF-316
1/4-32	5/8	M12 x 1.5	3/4	—	—	3/4	3/8	18-8	ZTAE14EFXM12F-188
1/4-32	5/8	M5 x 0.8	3/8	—	—	3/8	3/16	18-8	ZTAE14EFXM5C-188
1/4-32	5/8	M5 x 0.8	3/8	—	—	3/8	3/16	316	ZTAE14EFXM5C-316
1/4-32	5/8	M6 x 1	1/2	—	—	3/8	3/16	18-8	ZTAE14EFXM6C-188
1/4-32	5/8	M6 x 1	1/2	—	—	3/8	3/16	316	ZTAE14EFXM6C-316
1/4-32	5/8	M6 x 1	1/2	—	—	3/8	3/16	Alum	ZTAE14EFXM6C-AL
1/4-32	5/8	M6 x 0.75	1/2	—	—	3/8	3/16	18-8	ZTAE14EFXM6F-188
1/4-32	5/8	M8 x 1.25	1/2	—	—	1/2	3/16	18-8	ZTAE14EFXM8C-188
1/4-32	5/8	M8 x 1.25	1/2	—	—	1/2	3/16	316	ZTAE14EFXM8C-316
1/4-32	5/8	M8 x 1	1/2	—	—	1/2	3/16	18-8	ZTAE14EFXM8F-188

## Male-Female Thread Adapters



Male Thread A Side	Male Thd Lth A Side	Male Thread B Side	Male Thd Lth B Side	Female Thread B Side	Female Thd Lth B Side	Hex A/F	Hex Length	Material	Part Number
3/8-16	1/2	—	—	3/8-32	5/8	1/2	1	18-8	ZTA38CX38EF-188
3/8-16	1/2	—	—	3/8-32	5/8	1/2	1	316	ZTA38CX38EF-316
3/8-16	1/2	—	—	3/8-24	5/8	1/2	1	316	ZTA38CX38F-316
3/8-16	1/2	—	—	3/8-24	5/8	1/2	1	Alum	ZTA38CX38F-AL
3/8-16	1/2	—	—	M10 x 1.5	9/16	5/8	1	316	ZTA38CXM10C-316
3/8-16	1/2	—	—	M10 x 1.5	9/16	5/8	1	Alum	ZTA38CXM10C-AL
3/8-16	1/2	—	—	M10 x 1	9/16	5/8	1	18-8	ZTA38CXM10EF-188
3/8-16	1/2	—	—	M10 x 1	9/16	5/8	1	316	ZTA38CXM10EF-316
3/8-16	1/2	—	—	M10 x 1	9/16	5/8	1	Alum	ZTA38CXM10EF-AL
3/8-16	1/2	—	—	M10 x 1.25	9/16	5/8	1	18-8	ZTA38CXM10F-188
3/8-16	1/2	—	—	M10 x 1.25	9/16	5/8	1	316	ZTA38CXM10F-316
3/8-16	1/2	—	—	M10 x 1.25	9/16	5/8	1	Alum	ZTA38CXM10F-AL
3/8-16	1/2	—	—	M12 x 1.75	7/8	5/8	1-1/2	316	ZTA38CXM12C-316
3/8-16	1/2	—	—	M12 x 1.75	7/8	5/8	1-1/2	Alum	ZTA38CXM12C-AL
3/8-16	1/2	—	—	M12 x 1.25	7/8	5/8	1-1/2	18-8	ZTA38CXM12EF-188
3/8-16	1/2	—	—	M12 x 1.25	7/8	5/8	1-1/2	316	ZTA38CXM12EF-316
3/8-16	1/2	—	—	M12 x 1.25	7/8	5/8	1-1/2	Alum	ZTA38CXM12EF-AL
3/8-16	1/2	—	—	M12 x 1.5	7/8	5/8	1-1/2	18-8	ZTA38CXM12F-188
3/8-16	1/2	—	—	M12 x 1.5	7/8	5/8	1-1/2	316	ZTA38CXM12F-316
3/8-16	1/2	—	—	M12 x 1.5	7/8	5/8	1-1/2	Alum	ZTA38CXM12F-AL
3/8-16	5/8	1/2-13	3/4	—	—	3/4	3/8	316	ZTAE38CX12C-316
3/8-16	5/8	1/2-13	3/4	—	—	3/4	3/8	Alum	ZTAE38CX12C-AL
3/8-16	5/8	1/2-13	3/4	—	—	3/4	3/8	Stl Blk	ZTAE38CX12CSTL-B
3/8-16	5/8	1/2-28	3/4	—	—	3/4	3/8	18-8	ZTAE38CX12EF-188
3/8-16	5/8	1/2-28	3/4	—	—	3/4	3/8	316	ZTAE38CX12EF-316
3/8-16	5/8	1/2-28	3/4	—	—	3/4	3/8	Alum	ZTAE38CX12EF-AL
3/8-16	5/8	1/2-20	3/4	—	—	3/4	3/8	18-8	ZTAE38CX12F-188
3/8-16	5/8	1/2-20	3/4	—	—	3/4	3/8	316	ZTAE38CX12F-316
3/8-16	5/8	1/2-20	3/4	—	—	3/4	3/8	Alum	ZTAE38CX12F-AL
3/8-16	5/8	3/4-10	3/4	—	—	1-1/8	11/16	18-8	ZTAE38CX34C-188
3/8-16	5/8	3/4-10	3/4	—	—	1-1/8	11/16	316	ZTAE38CX34C-316
3/8-16	5/8	3/4-10	3/4	—	—	1-1/8	11/16	Alum	ZTAE38CX34C-AL
3/8-16	5/8	3/4-10	3/4	—	—	1-1/8	11/16	Stl Blk	ZTAE38CX34CSTL-B
3/8-16	5/8	3/8-32	5/8	—	—	9/16	1/4	18-8	ZTAE38CX38EF-188
3/8-16	5/8	3/8-32	5/8	—	—	9/16	1/4	316	ZTAE38CX38EF-316
3/8-16	5/8	3/8-24	5/8	—	—	9/16	1/4	316	ZTAE38CX38F-316
3/8-16	5/8	3/8-24	5/8	—	—	9/16	1/4	Alum	ZTAE38CX38F-AL
3/8-16	5/8	5/8-11	3/4	—	—	15/16	9/16	18-8	ZTAE38CX58C-188
3/8-16	5/8	5/8-11	3/4	—	—	15/16	9/16	316	ZTAE38CX58C-316
3/8-16	5/8	5/8-11	3/4	—	—	15/16	9/16	Alum	ZTAE38CX58C-AL

18-8 SS, 316 SS,  
Alum, Steel



## Male-Female Thread Adapters

Male Thread A Side	Male Thd Lth A Side	Male Thread B Side	Male Thd Lth B Side	Female Thread B Side	Female Thd Lth B Side	Hex A/F	Hex Length	Material	Part Number
3/8-16	5/8	5/8-11	3/4	—	—	15/16	9/16	Stl Blk	ZTAE38CX58CSTL-B
3/8-16	5/8	M10 x 1.5	5/8	—	—	9/16	1/4	316	ZTAE38CXM10C-316
3/8-16	5/8	M10 x 1.5	5/8	—	—	9/16	1/4	Alum	ZTAE38CXM10C-AL
3/8-16	5/8	M10 x 1	5/8	—	—	9/16	1/4	18-8	ZTAE38CXM10EF-188
3/8-16	5/8	M10 x 1	5/8	—	—	9/16	1/4	316	ZTAE38CXM10EF-316
3/8-16	5/8	M10 x 1	5/8	—	—	9/16	1/4	Alum	ZTAE38CXM10EF-AL
3/8-16	5/8	M10 x 1.25	5/8	—	—	9/16	1/4	18-8	ZTAE38CXM10F-188
3/8-16	5/8	M10 x 1.25	5/8	—	—	9/16	1/4	316	ZTAE38CXM10F-316
3/8-16	5/8	M10 x 1.25	5/8	—	—	9/16	1/4	Alum	ZTAE38CXM10F-AL
3/8-16	5/8	M12 x 1.75	3/4	—	—	3/4	3/8	316	ZTAE38CXM12C-316
3/8-16	5/8	M12 x 1.75	3/4	—	—	3/4	3/8	Alum	ZTAE38CXM12C-AL
3/8-16	5/8	M12 x 1.25	3/4	—	—	3/4	3/8	18-8	ZTAE38CXM12EF-188
3/8-16	5/8	M12 x 1.25	3/4	—	—	3/4	3/8	316	ZTAE38CXM12EF-316
3/8-16	5/8	M12 x 1.25	3/4	—	—	3/4	3/8	Alum	ZTAE38CXM12EF-AL
3/8-16	5/8	M12 x 1.5	3/4	—	—	3/4	3/8	18-8	ZTAE38CXM12F-188
3/8-16	5/8	M12 x 1.5	3/4	—	—	3/4	3/8	316	ZTAE38CXM12F-316
3/8-16	5/8	M12 x 1.5	3/4	—	—	3/4	3/8	Alum	ZTAE38CXM12F-AL
3/8-16	5/8	M6 x 1	1/2	—	—	9/16	1/4	18-8	ZTAE38CXM6C-188
3/8-16	5/8	M6 x 1	1/2	—	—	9/16	1/4	316	ZTAE38CXM6C-316
3/8-16	5/8	M6 x 1	1/2	—	—	9/16	1/4	Alum	ZTAE38CXM6C-AL
3/8-16	5/8	M6 x 0.75	1/2	—	—	9/16	1/4	18-8	ZTAE38CXM6F-188
3/8-16	5/8	M6 x 0.75	1/2	—	—	9/16	1/4	316	ZTAE38CXM6F-316
3/8-16	5/8	M8 x 1.25	1/2	—	—	9/16	1/4	18-8	ZTAE38CXM8C-188
3/8-16	5/8	M8 x 1.25	1/2	—	—	9/16	1/4	316	ZTAE38CXM8C-316
3/8-16	5/8	M8 x 1.25	1/2	—	—	9/16	1/4	Alum	ZTAE38CXM8C-AL
3/8-16	5/8	M8 x 1	1/2	—	—	9/16	1/4	18-8	ZTAE38CXM8F-188
3/8-16	5/8	M8 x 1	1/2	—	—	9/16	1/4	316	ZTAE38CXM8F-316
3/8-16	5/8	M8 x 1	1/2	—	—	9/16	1/4	Alum	ZTAE38CXM8F-AL
3/8-16	3/4	—	—	1/2-13	3/4	3/4	1-1/2	316	ZTA38CX12C-316
3/8-16	3/4	—	—	1/2-13	3/4	3/4	1-1/2	Alum	ZTA38CX12C-AL
3/8-16	3/4	—	—	1/2-28	3/4	3/4	1-1/2	18-8	ZTA38CX12EF-188
3/8-16	3/4	—	—	1/2-28	3/4	3/4	1-1/2	316	ZTA38CX12EF-316
3/8-16	3/4	—	—	1/2-20	3/4	3/4	1-1/2	18-8	ZTA38CX12F-188
3/8-16	3/4	—	—	1/2-20	3/4	3/4	1-1/2	316	ZTA38CX12F-316
3/8-16	3/4	—	—	1/2-20	3/4	3/4	1-1/2	Alum	ZTA38CX12F-AL
3/8-16	3/4	—	—	1/4-20	3/8	5/8	1	316	ZTA38CX14C-316
3/8-16	3/4	—	—	1/4-20	3/8	5/8	1	Alum	ZTA38CX14C-AL
3/8-16	3/4	—	—	1/4-32	3/8	5/8	1	18-8	ZTA38CX14EF-188
3/8-16	3/4	—	—	1/4-28	3/8	5/8	1	18-8	ZTA38CX14F-188
3/8-16	3/4	—	—	1/4-28	3/8	5/8	1	316	ZTA38CX14F-316
3/8-16	3/4	—	—	1/4-28	3/8	5/8	1	Alum	ZTA38CX14F-AL

## Male-Female Thread Adapters



Male Thread A Side	Male Thd Lth A Side	Male Thread B Side	Male Thd Lth B Side	Female Thread B Side	Female Thd Lth B Side	Hex A/F	Hex Length	Material	Part Number
3/8-16	3/4	—	—	3/4-10	1	1-1/4	2-1/4	18-8	ZTA38CX34C-188
3/8-16	3/4	—	—	3/4-10	1	1-1/4	2-1/4	316	ZTA38CX34C-316
3/8-16	3/4	—	—	3/4-10	1	1-1/4	2-1/4	Alum	ZTA38CX34C-AL
3/8-16	3/4	—	—	3/4-10	1	1-1/4	2-1/4	Stl Blk	ZTA38CX34CSTL-B
3/8-16	3/4	—	—	5/16-18	15/32	5/8	1	316	ZTA38CX51C-316
3/8-16	3/4	—	—	5/16-18	15/32	5/8	1	Alum	ZTA38CX51C-AL
3/8-16	3/4	—	—	5/16-32	15/32	5/8	1	18-8	ZTA38CX51EF-188
3/8-16	3/4	—	—	5/16-24	15/32	5/8	1	18-8	ZTA38CX51F-188
3/8-16	3/4	—	—	5/16-24	15/32	5/8	1	316	ZTA38CX51F-316
3/8-16	3/4	—	—	5/16-24	15/32	5/8	1	Alum	ZTA38CX51F-AL
3/8-16	3/4	—	—	5/8-11	7/8	1	2	18-8	ZTA38CX58C-188
3/8-16	3/4	—	—	5/8-11	7/8	1	2	316	ZTA38CX58C-316
3/8-16	3/4	—	—	5/8-11	7/8	1	2	Alum	ZTA38CX58C-AL
3/8-16	3/4	—	—	5/8-11	7/8	1	2	Stl Blk	ZTA38CX58CSTL-B
3/8-16	3/4	—	—	M6 x 1	3/8	5/8	1	18-8	ZTA38CXM6C-188
3/8-16	3/4	—	—	M6 x 1	3/8	5/8	1	316	ZTA38CXM6C-316
3/8-16	3/4	—	—	M6 x 1	3/8	5/8	1	Alum	ZTA38CXM6C-AL
3/8-16	3/4	—	—	M6 x 0.75	3/8	5/8	1	18-8	ZTA38CXM6F-188
3/8-16	3/4	—	—	M8 x 1.25	15/32	5/8	1	18-8	ZTA38CXM8C-188
3/8-16	3/4	—	—	M8 x 1.25	15/32	5/8	1	316	ZTA38CXM8C-316
3/8-16	3/4	—	—	M8 x 1.25	15/32	5/8	1	Alum	ZTA38CXM8C-AL
3/8-16	3/4	—	—	M8 x 1	15/32	5/8	1	18-8	ZTA38CXM8F-188
3/8-16	3/4	—	—	M8 x 1	15/32	5/8	1	316	ZTA38CXM8F-316
3/8-16	3/4	—	—	M8 x 1	15/32	5/8	1	Alum	ZTA38CXM8F-AL
3/8-24	1/2	—	—	3/8-16	7/8	5/8	1-1/2	316	ZTA38FX38C-316
3/8-24	1/2	—	—	3/8-16	7/8	5/8	1-1/2	Alum	ZTA38FX38C-AL
3/8-24	1/2	—	—	3/8-32	7/8	5/8	1-1/2	18-8	ZTA38FX38EF-188
3/8-24	1/2	—	—	M10 x 1.5	9/16	5/8	1	18-8	ZTA38FXM10C-188
3/8-24	1/2	—	—	M10 x 1.5	9/16	5/8	1	316	ZTA38FXM10C-316
3/8-24	1/2	—	—	M10 x 1.5	9/16	5/8	1	Alum	ZTA38FXM10C-AL
3/8-24	1/2	—	—	M10 x 1	9/16	5/8	1	18-8	ZTA38FXM10EF-188
3/8-24	1/2	—	—	M10 x 1.25	9/16	5/8	1	18-8	ZTA38FXM10F-188
3/8-24	1/2	—	—	M10 x 1.25	9/16	5/8	1	316	ZTA38FXM10F-316
3/8-24	1/2	—	—	M12 x 1.75	7/8	5/8	1-1/2	18-8	ZTA38FXM12C-188
3/8-24	1/2	—	—	M12 x 1.75	7/8	5/8	1-1/2	316	ZTA38FXM12C-316
3/8-24	1/2	—	—	M12 x 1.25	7/8	5/8	1-1/2	18-8	ZTA38FXM12EF-188
3/8-24	1/2	—	—	M12 x 1.25	7/8	5/8	1-1/2	316	ZTA38FXM12EF-316
3/8-24	1/2	—	—	M12 x 1.5	7/8	5/8	1-1/2	18-8	ZTA38FXM12F-188
3/8-24	1/2	—	—	M12 x 1.5	7/8	5/8	1-1/2	316	ZTA38FXM12F-316
3/8-24	5/8	1/2-13	3/4	—	—	3/4	3/8	18-8	ZTAE38FX12C-188
3/8-24	5/8	1/2-13	3/4	—	—	3/4	3/8	316	ZTAE38FX12C-316

## Male-Female Thread Adapters



Male Thread A Side	Male Thd Lth A Side	Male Thread B Side	Male Thd Lth B Side	Female Thread B Side	Female Thd Lth B Side	Hex A/F	Hex Length	Material	Part Number
3/8-24	5/8	1/2-13	3/4	—	—	3/4	3/8	Alum	ZTAE38FX12C-AL
3/8-24	5/8	1/2-28	3/4	—	—	3/4	3/8	18-8	ZTAE38FX12EF-188
3/8-24	5/8	1/2-28	3/4	—	—	3/4	3/8	316	ZTAE38FX12EF-316
3/8-24	5/8	1/2-20	3/4	—	—	3/4	3/8	18-8	ZTAE38FX12F-188
3/8-24	5/8	1/2-20	3/4	—	—	3/4	3/8	316	ZTAE38FX12F-316
3/8-24	5/8	1/2-20	3/4	—	—	3/4	3/8	Alum	ZTAE38FX12F-AL
3/8-24	5/8	3/8-32	5/8	—	—	9/16	1/4	18-8	ZTAE38FX38EF-188
3/8-24	5/8	M10 x 1.5	5/8	—	—	9/16	1/4	18-8	ZTAE38FXM10C-188
3/8-24	5/8	M10 x 1.5	5/8	—	—	9/16	1/4	316	ZTAE38FXM10C-316
3/8-24	5/8	M10 x 1.5	5/8	—	—	9/16	1/4	Alum	ZTAE38FXM10C-AL
3/8-24	5/8	M10 x 1	5/8	—	—	9/16	1/4	18-8	ZTAE38FXM10EF-188
3/8-24	5/8	M10 x 1	5/8	—	—	9/16	1/4	316	ZTAE38FXM10EF-316
3/8-24	5/8	M10 x 1.25	5/8	—	—	9/16	1/4	18-8	ZTAE38FXM10F-188
3/8-24	5/8	M10 x 1.25	5/8	—	—	9/16	1/4	316	ZTAE38FXM10F-316
3/8-24	5/8	M12 x 1.75	3/4	—	—	3/4	3/8	18-8	ZTAE38FXM12C-188
3/8-24	5/8	M12 x 1.75	3/4	—	—	3/4	3/8	316	ZTAE38FXM12C-316
3/8-24	5/8	M12 x 1.75	3/4	—	—	3/4	3/8	Alum	ZTAE38FXM12C-AL
3/8-24	5/8	M12 x 1.25	3/4	—	—	3/4	3/8	18-8	ZTAE38FXM12EF-188
3/8-24	5/8	M12 x 1.25	3/4	—	—	3/4	3/8	316	ZTAE38FXM12EF-316
3/8-24	5/8	M12 x 1.25	3/4	—	—	3/4	3/8	Alum	ZTAE38FXM12EF-AL
3/8-24	5/8	M12 x 1.5	3/4	—	—	3/4	3/8	18-8	ZTAE38FXM12F-188
3/8-24	5/8	M12 x 1.5	3/4	—	—	3/4	3/8	316	ZTAE38FXM12F-316
3/8-24	5/8	M6 x 1	1/2	—	—	9/16	1/4	18-8	ZTAE38FXM6C-188
3/8-24	5/8	M6 x 1	1/2	—	—	9/16	1/4	316	ZTAE38FXM6C-316
3/8-24	5/8	M6 x 1	1/2	—	—	9/16	1/4	Alum	ZTAE38FXM6C-AL
3/8-24	5/8	M6 x 0.75	1/2	—	—	9/16	1/4	18-8	ZTAE38FXM6F-188
3/8-24	5/8	M8 x 1.25	1/2	—	—	9/16	1/4	18-8	ZTAE38FXM8C-188
3/8-24	5/8	M8 x 1.25	1/2	—	—	9/16	1/4	316	ZTAE38FXM8C-316
3/8-24	5/8	M8 x 1.25	1/2	—	—	9/16	1/4	Alum	ZTAE38FXM8C-AL
3/8-24	5/8	M8 x 1	1/2	—	—	9/16	1/4	18-8	ZTAE38FXM8F-188
3/8-24	5/8	M8 x 1	1/2	—	—	9/16	1/4	316	ZTAE38FXM8F-316
3/8-24	3/4	—	—	1/2-13	3/4	3/4	1-1/2	18-8	ZTA38FX12C-188
3/8-24	3/4	—	—	1/2-13	3/4	3/4	1-1/2	316	ZTA38FX12C-316
3/8-24	3/4	—	—	1/2-13	3/4	3/4	1-1/2	Alum	ZTA38FX12C-AL
3/8-24	3/4	—	—	1/2-13	3/4	3/4	1-1/2	Stl Blk	ZTA38FX12CSTL-B
3/8-24	3/4	—	—	1/2-28	3/4	3/4	1-1/2	18-8	ZTA38FX12EF-188
3/8-24	3/4	—	—	1/2-20	3/4	3/4	1-1/2	18-8	ZTA38FX12F-188
3/8-24	3/4	—	—	1/2-20	3/4	3/4	1-1/2	316	ZTA38FX12F-316
3/8-24	3/4	—	—	1/4-20	3/8	5/8	1	18-8	ZTA38FX14C-188
3/8-24	3/4	—	—	1/4-20	3/8	5/8	1	316	ZTA38FX14C-316
3/8-24	3/4	—	—	1/4-20	3/8	5/8	1	Alum	ZTA38FX14C-AL

## Male-Female Thread Adapters



Male Thread A Side	Male Thd Lth A Side	Male Thread B Side	Male Thd Lth B Side	Female Thread B Side	Female Thd Lth B Side	Hex A/F	Hex Length	Material	Part Number
3/8-24	3/4	—	—	1/4-32	3/8	5/8	1	18-8	ZTA38FX14EF-188
3/8-24	3/4	—	—	1/4-28	3/8	5/8	1	18-8	ZTA38FX14F-188
3/8-24	3/4	—	—	3/8-16	9/16	5/8	1-1/2	Stl Blk	ZTA38FX38CSTL-B
3/8-24	3/4	—	—	5/16-18	15/32	5/8	1	18-8	ZTA38FX51C-188
3/8-24	3/4	—	—	5/16-18	15/32	5/8	1	316	ZTA38FX51C-316
3/8-24	3/4	—	—	5/16-18	15/32	5/8	1	Alum	ZTA38FX51C-AL
3/8-24	3/4	—	—	5/16-32	15/32	5/8	1	18-8	ZTA38FX51EF-188
3/8-24	3/4	—	—	5/16-24	15/32	5/8	1	18-8	ZTA38FX51F-188
3/8-24	3/4	—	—	M6 x 1	3/8	5/8	1	18-8	ZTA38FXM6C-188
3/8-24	3/4	—	—	M6 x 1	3/8	5/8	1	316	ZTA38FXM6C-316
3/8-24	3/4	—	—	M6 x 1	3/8	5/8	1	Alum	ZTA38FXM6C-AL
3/8-24	3/4	—	—	M6 x 0.75	3/8	5/8	1	18-8	ZTA38FXM6F-188
3/8-24	3/4	—	—	M8 x 1.25	15/32	5/8	1	18-8	ZTA38FXM8C-188
3/8-24	3/4	—	—	M8 x 1.25	15/32	5/8	1	316	ZTA38FXM8C-316
3/8-24	3/4	—	—	M8 x 1.25	15/32	5/8	1	Alum	ZTA38FXM8C-AL
3/8-24	3/4	—	—	M8 x 1	15/32	5/8	1	18-8	ZTA38FXM8F-188
3/8-24	3/4	—	—	M8 x 1	15/32	5/8	1	316	ZTA38FXM8F-316
3/8-32	1/2	—	—	3/8-16	5/8	1/2	1	18-8	ZTA38EFX38C-188
3/8-32	1/2	—	—	3/8-16	5/8	1/2	1	316	ZTA38EFX38C-316
3/8-32	1/2	—	—	3/8-24	5/8	1/2	1	18-8	ZTA38EFX38F-188
3/8-32	1/2	—	—	M10 x 1.5	9/16	5/8	1	18-8	ZTA38EFXM10C-188
3/8-32	1/2	—	—	M10 x 1.5	9/16	5/8	1	316	ZTA38EFXM10C-316
3/8-32	1/2	—	—	M10 x 1	9/16	5/8	1	18-8	ZTA38EFXM10EF-188
3/8-32	1/2	—	—	M10 x 1.25	9/16	5/8	1	18-8	ZTA38EFXM10F-188
3/8-32	1/2	—	—	M12 x 1.75	7/8	5/8	1-1/2	18-8	ZTA38EFXM12C-188
3/8-32	1/2	—	—	M12 x 1.75	7/8	5/8	1-1/2	316	ZTA38EFXM12C-316
3/8-32	1/2	—	—	M12 x 1.25	7/8	5/8	1-1/2	18-8	ZTA38EFXM12EF-188
3/8-32	1/2	—	—	M12 x 1.25	7/8	5/8	1-1/2	316	ZTA38EFXM12EF-316
3/8-32	1/2	—	—	M12 x 1.5	7/8	5/8	1-1/2	18-8	ZTA38EFXM12F-188
3/8-32	1/2	—	—	M12 x 1.5	7/8	5/8	1-1/2	316	ZTA38EFXM12F-316
3/8-32	5/8	1/2-13	3/4	—	—	3/4	3/8	18-8	ZTAE38EFX12C-188
3/8-32	5/8	1/2-13	3/4	—	—	3/4	3/8	316	ZTAE38EFX12C-316
3/8-32	5/8	1/2-13	3/4	—	—	3/4	3/8	Alum	ZTAE38EFX12C-AL
3/8-32	5/8	1/2-28	3/4	—	—	3/4	3/8	18-8	ZTAE38EFX12EF-188
3/8-32	5/8	1/2-20	3/4	—	—	3/4	3/8	18-8	ZTAE38EFX12F-188
3/8-32	5/8	1/2-20	3/4	—	—	3/4	3/8	316	ZTAE38EFX12F-316
3/8-32	5/8	1/2-20	3/4	—	—	3/4	3/8	Alum	ZTAE38EFX12F-AL
3/8-32	5/8	M10 x 1.5	5/8	—	—	9/16	1/4	18-8	ZTAE38EFXM10C-188
3/8-32	5/8	M10 x 1.5	5/8	—	—	9/16	1/4	316	ZTAE38EFXM10C-316
3/8-32	5/8	M10 x 1.5	5/8	—	—	9/16	1/4	Alum	ZTAE38EFXM10C-AL

## Male-Female Thread Adapters



Male Thread A Side	Male Thd Lth A Side	Male Thread B Side	Male Thd Lth B Side	Female Thread B Side	Female Thd Lth B Side	Hex A/F	Hex Length	Material	Part Number
3/8-32	5/8	M10 x 1	5/8	–	–	9/16	1/4	18-8	ZTAE38EFXM10EF-188
3/8-32	5/8	M10 x 1	5/8	–	–	9/16	1/4	316	ZTAE38EFXM10EF-316
3/8-32	5/8	M10 x 1.25	5/8	–	–	9/16	1/4	18-8	ZTAE38EFXM10F-188
3/8-32	5/8	M10 x 1.25	5/8	–	–	9/16	1/4	316	ZTAE38EFXM10F-316
3/8-32	5/8	M10 x 1.25	5/8	–	–	9/16	1/4	Alum	ZTAE38EFXM10F-AL
3/8-32	5/8	M12 x 1.75	3/4	–	–	3/4	3/8	18-8	ZTAE38EFXM12C-188
3/8-32	5/8	M12 x 1.75	3/4	–	–	3/4	3/8	316	ZTAE38EFXM12C-316
3/8-32	5/8	M12 x 1.75	3/4	–	–	3/4	3/8	Alum	ZTAE38EFXM12C-AL
3/8-32	5/8	M12 x 1.25	3/4	–	–	3/4	3/8	18-8	ZTAE38EFXM12EF-188
3/8-32	5/8	M12 x 1.25	3/4	–	–	3/4	3/8	316	ZTAE38EFXM12EF-316
3/8-32	5/8	M12 x 1.5	3/4	–	–	3/4	3/8	18-8	ZTAE38EFXM12F-188
3/8-32	5/8	M12 x 1.5	3/4	–	–	3/4	3/8	316	ZTAE38EFXM12F-316
3/8-32	5/8	M6 x 1	1/2	–	–	9/16	1/4	18-8	ZTAE38EFXM6C-188
3/8-32	5/8	M6 x 1	1/2	–	–	9/16	1/4	316	ZTAE38EFXM6C-316
3/8-32	5/8	M6 x 1	1/2	–	–	9/16	1/4	Alum	ZTAE38EFXM6C-AL
3/8-32	5/8	M6 x 0.75	1/2	–	–	9/16	1/4	18-8	ZTAE38EFXM6F-188
3/8-32	5/8	M8 x 1.25	1/2	–	–	9/16	1/4	18-8	ZTAE38EFXM8C-188
3/8-32	5/8	M8 x 1.25	1/2	–	–	9/16	1/4	316	ZTAE38EFXM8C-316
3/8-32	5/8	M8 x 1.25	1/2	–	–	9/16	1/4	Alum	ZTAE38EFXM8C-AL
3/8-32	5/8	M8 x 1	1/2	–	–	9/16	1/4	18-8	ZTAE38EFXM8F-188
3/8-32	5/8	M8 x 1	1/2	–	–	9/16	1/4	316	ZTAE38EFXM8F-316
3/8-32	3/4	–	–	1/2-13	3/4	3/4	1-1/2	18-8	ZTA38EFX12C-188
3/8-32	3/4	–	–	1/2-13	3/4	3/4	1-1/2	316	ZTA38EFX12C-316
3/8-32	3/4	–	–	1/2-13	3/4	3/4	1-1/2	Alum	ZTA38EFX12C-AL
3/8-32	3/4	–	–	1/2-20	3/4	3/4	1-1/2	18-8	ZTA38EFX12F-188
3/8-32	3/4	–	–	1/2-20	3/4	3/4	1-1/2	316	ZTA38EFX12F-316
3/8-32	3/4	–	–	1/4-20	3/8	5/8	1	18-8	ZTA38EFX14C-188
3/8-32	3/4	–	–	1/4-20	3/8	5/8	1	316	ZTA38EFX14C-316
3/8-32	3/4	–	–	1/4-20	3/8	5/8	1	Alum	ZTA38EFX14C-AL
3/8-32	3/4	–	–	1/4-32	3/8	5/8	1	18-8	ZTA38EFX14EF-188
3/8-32	3/4	–	–	1/4-28	3/8	5/8	1	18-8	ZTA38EFX14F-188
3/8-32	3/4	–	–	5/16-18	15/32	5/8	1	18-8	ZTA38EFX51C-188
3/8-32	3/4	–	–	5/16-18	15/32	5/8	1	316	ZTA38EFX51C-316
3/8-32	3/4	–	–	5/16-18	15/32	5/8	1	Alum	ZTA38EFX51C-AL
3/8-32	3/4	–	–	5/16-32	15/32	5/8	1	18-8	ZTA38EFX51EF-188
3/8-32	3/4	–	–	5/16-24	15/32	5/8	1	18-8	ZTA38EFX51F-188
3/8-32	3/4	–	–	M6 x 1	3/8	5/8	1	18-8	ZTA38EFXM6C-188
3/8-32	3/4	–	–	M6 x 1	3/8	5/8	1	316	ZTA38EFXM6C-316
3/8-32	3/4	–	–	M6 x 1	3/8	5/8	1	Alum	ZTA38EFXM6C-AL
3/8-32	3/4	–	–	M6 x 0.75	3/8	5/8	1	18-8	ZTA38EFXM6F-188

## Male-Female Thread Adapters



Male Thread A Side	Male Thd Lth A Side	Male Thread B Side	Male Thd Lth B Side	Female Thread B Side	Female Thd Lth B Side	Hex A/F	Hex Length	Material	Part Number
3/8-32	3/4	—	—	M8 x 1.25	15/32	5/8	1	18-8	ZTA38EFXM8C-188
3/8-32	3/4	—	—	M8 x 1.25	15/32	5/8	1	316	ZTA38EFXM8C-316
3/8-32	3/4	—	—	M8 x 1.25	15/32	5/8	1	Alum	ZTA38EFXM8C-AL
3/8-32	3/4	—	—	M8 x 1	15/32	5/8	1	18-8	ZTA38EFXM8F-188
5/16-18	5/8	—	—	10-24	7/16	1/2	3/4	316	ZTA51CX10C-316
5/16-18	5/8	—	—	10-32	9/32	1/2	3/4	316	ZTA51CX10F-316
5/16-18	5/8	—	—	1/2-13	11/16	3/4	1-1/2	18-8	ZTA51CX12C-188
5/16-18	5/8	—	—	1/2-13	11/16	3/4	1-1/2	316	ZTA51CX12C-316
5/16-18	5/8	—	—	1/2-13	11/16	3/4	1-1/2	Alum	ZTA51CX12C-AL
5/16-18	5/8	—	—	1/2-13	3/4	3/4	1-1/2	Stl Blk	ZTA51CX12CSTL-B
5/16-18	5/8	—	—	1/2-28	11/16	3/4	1-1/2	18-8	ZTA51CX12EF-188
5/16-18	5/8	—	—	1/2-28	11/16	3/4	1-1/2	316	ZTA51CX12EF-316
5/16-18	5/8	—	—	1/2-20	11/16	3/4	1-1/2	18-8	ZTA51CX12F-188
5/16-18	5/8	—	—	1/2-20	11/16	3/4	1-1/2	316	ZTA51CX12F-316
5/16-18	5/8	—	—	1/2-20	11/16	3/4	1-1/2	Alum	ZTA51CX12F-AL
5/16-18	5/8	—	—	1/4-20	3/8	1/2	1	316	ZTA51CX14C-316
5/16-18	5/8	—	—	1/4-32	3/8	1/2	1	18-8	ZTA51CX14EF-188
5/16-18	5/8	—	—	1/4-28	3/8	1/2	1	18-8	ZTA51CX14F-188
5/16-18	5/8	—	—	1/4-28	3/8	1/2	1	316	ZTA51CX14F-316
5/16-18	5/8	—	—	3/8-16	9/16	1/2	1	316	ZTA51CX38C-316
5/16-18	5/8	—	—	3/8-16	9/16	1/2	1	Alum	ZTA51CX38C-AL
5/16-18	5/8	—	—	3/8-32	9/16	1/2	1	18-8	ZTA51CX38EF-188
5/16-18	5/8	—	—	3/8-24	9/16	1/2	1	18-8	ZTA51CX38F-188
5/16-18	5/8	—	—	3/8-24	9/16	1/2	1	316	ZTA51CX38F-316
5/16-18	5/8	—	—	5/16-32	5/8	1/2	1	18-8	ZTA51CX51EF-188
5/16-18	5/8	—	—	5/16-24	5/8	1/2	1	316	ZTA51CX51F-316
5/16-18	5/8	—	—	5/8-11	7/8	3/4	1-1/2	18-8	ZTA51CX58C-188
5/16-18	5/8	—	—	5/8-11	7/8	3/4	1-1/2	316	ZTA51CX58C-316
5/16-18	5/8	—	—	5/8-11	7/8	3/4	1-1/2	Alum	ZTA51CX58C-AL
5/16-18	5/8	—	—	M10 x 1.5	9/16	5/8	1	316	ZTA51CXM10C-316
5/16-18	5/8	—	—	M10 x 1.5	9/16	5/8	1	Alum	ZTA51CXM10C-AL
5/16-18	5/8	—	—	M10 x 1	9/16	5/8	1	18-8	ZTA51CXM10EF-188
5/16-18	5/8	—	—	M10 x 1	9/16	5/8	1	316	ZTA51CXM10EF-316
5/16-18	5/8	—	—	M10 x 1.25	9/16	5/8	1	18-8	ZTA51CXM10F-188
5/16-18	5/8	—	—	M10 x 1.25	9/16	5/8	1	316	ZTA51CXM10F-316
5/16-18	5/8	—	—	M10 x 1.25	9/16	5/8	1	Alum	ZTA51CXM10F-AL
5/16-18	5/8	—	—	M12 x 1.75	11/16	3/4	1-1/2	18-8	ZTA51CXM12C-188
5/16-18	5/8	—	—	M12 x 1.75	11/16	3/4	1-1/2	316	ZTA51CXM12C-316
5/16-18	5/8	—	—	M12 x 1.75	11/16	3/4	1-1/2	Alum	ZTA51CXM12C-AL
5/16-18	5/8	—	—	M12 x 1.25	11/16	3/4	1-1/2	18-8	ZTA51CXM12EF-188



## Male-Female Thread Adapters



Male Thread A Side	Male Thd Lth A Side	Male Thread B Side	Male Thd Lth B Side	Female Thread B Side	Female Thd Lth B Side	Hex A/F	Hex Length	Material	Part Number
5/16-18	5/8	—	—	M12 x 1.25	11/16	3/4	1-1/2	316	ZTA51CXM12EF-316
5/16-18	5/8	—	—	M12 x 1.25	11/16	3/4	1-1/2	Alum	ZTA51CXM12EF-AL
5/16-18	5/8	—	—	M12 x 1.5	11/16	3/4	1-1/2	18-8	ZTA51CXM12F-188
5/16-18	5/8	—	—	M12 x 1.5	11/16	3/4	1-1/2	316	ZTA51CXM12F-316
5/16-18	5/8	—	—	M5 x 0.8	9/32	1/2	3/4	316	ZTA51CXM5C-316
5/16-18	5/8	—	—	M6 x 1	3/8	1/2	1	316	ZTA51CXM6C-316
5/16-18	5/8	—	—	M6 x 0.75	3/8	1/2	1	18-8	ZTA51CXM6F-188
5/16-18	5/8	—	—	M8 x 1.25	3/8	5/8	3/4	316	ZTA51CXM8C-316
5/16-18	5/8	—	—	M8 x 1	3/8	5/8	3/4	18-8	ZTA51CXM8F-188
5/16-18	5/8	—	—	M8 x 1	3/8	5/8	3/4	316	ZTA51CXM8F-316
5/16-18	5/8	—	—	M8 x 1	3/8	5/8	3/4	Alum	ZTA51CXM8F-AL
5/16-18	5/8	1/2-13	3/4	—	—	3/4	3/8	18-8	ZTAE51CX12C-188
5/16-18	5/8	1/2-13	3/4	—	—	3/4	3/8	316	ZTAE51CX12C-316
5/16-18	5/8	1/2-13	3/4	—	—	3/4	3/8	Alum	ZTAE51CX12C-AL
5/16-18	5/8	1/2-28	3/4	—	—	3/4	3/8	18-8	ZTAE51CX12EF-188
5/16-18	5/8	1/2-28	3/4	—	—	3/4	3/8	316	ZTAE51CX12EF-316
5/16-18	5/8	1/2-20	3/4	—	—	3/4	3/8	18-8	ZTAE51CX12F-188
5/16-18	5/8	1/2-20	3/4	—	—	3/4	3/8	316	ZTAE51CX12F-316
5/16-18	5/8	1/2-20	3/4	—	—	3/4	3/8	Alum	ZTAE51CX12F-AL
5/16-18	5/8	3/8-16	5/8	—	—	9/16	1/4	316	ZTAE51CX38C-316
5/16-18	5/8	3/8-16	5/8	—	—	9/16	1/4	Alum	ZTAE51CX38C-AL
5/16-18	5/8	3/8-16	5/8	—	—	9/16	1/4	Stl Blk	ZTAE51CX38CSTL-B
5/16-18	5/8	3/8-32	5/8	—	—	9/16	1/4	18-8	ZTAE51CX38EF-188
5/16-18	5/8	3/8-32	5/8	—	—	9/16	1/4	316	ZTAE51CX38EF-316
5/16-18	5/8	3/8-24	5/8	—	—	9/16	1/4	18-8	ZTAE51CX38F-188
5/16-18	5/8	3/8-24	5/8	—	—	9/16	1/4	316	ZTAE51CX38F-316
5/16-18	5/8	5/16-32	5/8	—	—	1/2	3/16	18-8	ZTAE51CX51EF-188
5/16-18	5/8	5/16-24	5/8	—	—	1/2	3/16	316	ZTAE51CX51F-316
5/16-18	5/8	5/8-11	3/4	—	—	15/16	9/16	18-8	ZTAE51CX58C-188
5/16-18	5/8	5/8-11	3/4	—	—	15/16	9/16	316	ZTAE51CX58C-316
5/16-18	5/8	5/8-11	3/4	—	—	15/16	9/16	Alum	ZTAE51CX58C-AL
5/16-18	5/8	5/8-11	3/4	—	—	15/16	9/16	Stl Blk	ZTAE51CX58CSTL-B
5/16-18	5/8	M10 x 1.5	5/8	—	—	1/2	3/16	316	ZTAE51CXM10C-316
5/16-18	5/8	M10 x 1.5	5/8	—	—	1/2	3/16	Alum	ZTAE51CXM10C-AL
5/16-18	5/8	M10 x 1	5/8	—	—	1/2	3/16	18-8	ZTAE51CXM10EF-188
5/16-18	5/8	M10 x 1	5/8	—	—	1/2	3/16	316	ZTAE51CXM10EF-316
5/16-18	5/8	M10 x 1.25	5/8	—	—	1/2	3/16	18-8	ZTAE51CXM10F-188
5/16-18	5/8	M10 x 1.25	5/8	—	—	1/2	3/16	316	ZTAE51CXM10F-316
5/16-18	5/8	M10 x 1.25	5/8	—	—	1/2	3/16	Alum	ZTAE51CXM10F-AL
5/16-18	5/8	M12 x 1.75	3/4	—	—	3/4	3/8	18-8	ZTAE51CXM12C-188
5/16-18	5/8	M12 x 1.75	3/4	—	—	3/4	3/8	316	ZTAE51CXM12C-316

## Male-Female Thread Adapters



Male Thread A Side	Male Thd Lth A Side	Male Thread B Side	Male Thd Lth B Side	Female Thread B Side	Female Thd Lth B Side	Hex A/F	Hex Length	Material	Part Number
5/16-18	5/8	M12 x 1.75	3/4	—	—	3/4	3/8	Alum	ZTAE51CXM12C-AL
5/16-18	5/8	M12 x 1.25	3/4	—	—	3/4	3/8	18-8	ZTAE51CXM12EF-188
5/16-18	5/8	M12 x 1.25	3/4	—	—	3/4	3/8	316	ZTAE51CXM12EF-316
5/16-18	5/8	M12 x 1.25	3/4	—	—	3/4	3/8	Alum	ZTAE51CXM12EF-AL
5/16-18	5/8	M12 x 1.5	3/4	—	—	3/4	3/8	18-8	ZTAE51CXM12F-188
5/16-18	5/8	M12 x 1.5	3/4	—	—	3/4	3/8	316	ZTAE51CXM12F-316
5/16-18	5/8	M12 x 1.5	3/4	—	—	3/4	3/8	Alum	ZTAE51CXM12F-AL
5/16-18	5/8	M5 x 0.8	3/8	—	—	1/2	3/16	316	ZTAE51CXM5C-316
5/16-18	5/8	M5 x 0.5	3/8	—	—	1/2	3/16	18-8	ZTAE51CXM5F-188
5/16-18	5/8	M6 x 1	1/2	—	—	1/2	3/16	316	ZTAE51CXM6C-316
5/16-18	5/8	M6 x 0.75	1/2	—	—	1/2	3/16	18-8	ZTAE51CXM6F-188
5/16-18	5/8	M8 x 1.25	1/2	—	—	1/2	3/16	316	ZTAE51CXM8C-316
5/16-18	5/8	M8 x 1	1/2	—	—	1/2	3/16	18-8	ZTAE51CXM8F-188
5/16-18	5/8	M8 x 1	1/2	—	—	1/2	3/16	316	ZTAE51CXM8F-316
5/16-24	5/8	—	—	10-24	7/16	1/2	3/4	18-8	ZTA51FX10C-188
5/16-24	5/8	—	—	10-32	9/32	1/2	3/4	18-8	ZTA51FX10F-188
5/16-24	5/8	—	—	10-32	9/32	1/2	3/4	316	ZTA51FX10F-316
5/16-24	5/8	—	—	1/2-13	11/16	3/4	1-1/2	18-8	ZTA51FX12C-188
5/16-24	5/8	—	—	1/2-13	11/16	3/4	1-1/2	316	ZTA51FX12C-316
5/16-24	5/8	—	—	1/2-13	11/16	3/4	1-1/2	Alum	ZTA51FX12C-AL
5/16-24	5/8	—	—	1/2-13	3/4	3/4	1-1/2	Stl Blk	ZTA51FX12CSTL-B
5/16-24	5/8	—	—	1/2-28	11/16	3/4	1-1/2	18-8	ZTA51FX12EF-188
5/16-24	5/8	—	—	1/2-20	11/16	3/4	1-1/2	18-8	ZTA51FX12F-188
5/16-24	5/8	—	—	1/2-20	11/16	3/4	1-1/2	316	ZTA51FX12F-316
5/16-24	5/8	—	—	1/4-20	3/8	1/2	1	18-8	ZTA51FX14C-188
5/16-24	5/8	—	—	1/4-20	3/8	1/2	1	316	ZTA51FX14C-316
5/16-24	5/8	—	—	1/4-20	3/8	1/2	1	Alum	ZTA51FX14C-AL
5/16-24	5/8	—	—	1/4-32	3/8	1/2	1	18-8	ZTA51FX14EF-188
5/16-24	5/8	—	—	1/4-28	3/8	1/2	1	18-8	ZTA51FX14F-188
5/16-24	5/8	—	—	3/8-16	9/16	1/2	1	18-8	ZTA51FX38C-188
5/16-24	5/8	—	—	3/8-16	9/16	1/2	1	316	ZTA51FX38C-316
5/16-24	5/8	—	—	3/8-32	9/16	1/2	1	18-8	ZTA51FX38EF-188
5/16-24	5/8	—	—	3/8-24	9/16	1/2	1	18-8	ZTA51FX38F-188
5/16-24	5/8	—	—	5/16-18	5/8	1/2	1	316	ZTA51FX51C-316
5/16-24	5/8	—	—	5/16-32	5/8	1/2	1	18-8	ZTA51FX51EF-188
5/16-24	5/8	—	—	M10 x 1.5	9/16	5/8	1	18-8	ZTA51FXM10C-188
5/16-24	5/8	—	—	M10 x 1.5	9/16	5/8	1	316	ZTA51FXM10C-316
5/16-24	5/8	—	—	M10 x 1.5	9/16	5/8	1	Alum	ZTA51FXM10C-AL
5/16-24	5/8	—	—	M10 x 1	9/16	5/8	1	18-8	ZTA51FXM10EF-188
5/16-24	5/8	—	—	M10 x 1.25	9/16	5/8	1	18-8	ZTA51FXM10F-188

## Male-Female Thread Adapters



Male Thread A Side	Male Thd Lth A Side	Male Thread B Side	Male Thd Lth B Side	Female Thread B Side	Female Thd Lth B Side	Hex A/F	Hex Length	Material	Part Number
5/16-24	5/8	—	—	M10 x 1.25	9/16	5/8	1	316	ZTA51FXM10F-316
5/16-24	5/8	—	—	M12 x 1.75	11/16	3/4	1-1/2	18-8	ZTA51FXM12C-188
5/16-24	5/8	—	—	M12 x 1.75	11/16	3/4	1-1/2	316	ZTA51FXM12C-316
5/16-24	5/8	—	—	M12 x 1.25	11/16	3/4	1-1/2	18-8	ZTA51FXM12EF-188
5/16-24	5/8	—	—	M12 x 1.25	11/16	3/4	1-1/2	316	ZTA51FXM12EF-316
5/16-24	5/8	—	—	M12 x 1.5	11/16	3/4	1-1/2	18-8	ZTA51FXM12F-188
5/16-24	5/8	—	—	M12 x 1.5	11/16	3/4	1-1/2	316	ZTA51FXM12F-316
5/16-24	5/8	—	—	M5 x 0.8	9/32	1/2	3/4	18-8	ZTA51FXM5C-188
5/16-24	5/8	—	—	M5 x 0.8	9/32	1/2	3/4	316	ZTA51FXM5C-316
5/16-24	5/8	—	—	M6 x 1	3/8	1/2	1	18-8	ZTA51FXM6C-188
5/16-24	5/8	—	—	M6 x 1	3/8	1/2	1	316	ZTA51FXM6C-316
5/16-24	5/8	—	—	M6 x 0.75	3/8	1/2	1	18-8	ZTA51FXM6F-188
5/16-24	5/8	—	—	M8 x 1.25	3/8	5/8	3/4	18-8	ZTA51FXM8C-188
5/16-24	5/8	—	—	M8 x 1.25	3/8	5/8	3/4	316	ZTA51FXM8C-316
5/16-24	5/8	—	—	M8 x 1.25	3/8	5/8	3/4	Alum	ZTA51FXM8C-AL
5/16-24	5/8	—	—	M8 x 1	3/8	5/8	3/4	18-8	ZTA51FXM8F-188
5/16-24	5/8	1/2-13	3/4	—	—	3/4	3/8	18-8	ZTAE51FX12C-188
5/16-24	5/8	1/2-13	3/4	—	—	3/4	3/8	316	ZTAE51FX12C-316
5/16-24	5/8	1/2-13	3/4	—	—	3/4	3/8	Alum	ZTAE51FX12C-AL
5/16-24	5/8	1/2-28	3/4	—	—	3/4	3/8	18-8	ZTAE51FX12EF-188
5/16-24	5/8	1/2-20	3/4	—	—	3/4	3/8	18-8	ZTAE51FX12F-188
5/16-24	5/8	1/2-20	3/4	—	—	3/4	3/8	316	ZTAE51FX12F-316
5/16-24	5/8	1/2-20	3/4	—	—	3/4	3/8	Alum	ZTAE51FX12F-AL
5/16-24	5/8	3/8-16	5/8	—	—	9/16	1/4	18-8	ZTAE51FX38C-188
5/16-24	5/8	3/8-16	5/8	—	—	9/16	1/4	316	ZTAE51FX38C-316
5/16-24	5/8	3/8-16	5/8	—	—	9/16	1/4	Alum	ZTAE51FX38C-AL
5/16-24	5/8	3/8-32	5/8	—	—	9/16	1/4	18-8	ZTAE51FX38EF-188
5/16-24	5/8	3/8-24	5/8	—	—	9/16	1/4	18-8	ZTAE51FX38F-188
5/16-24	5/8	3/8-24	5/8	—	—	9/16	1/4	316	ZTAE51FX38F-316
5/16-24	5/8	5/16-32	5/8	—	—	1/2	3/16	18-8	ZTAE51FX51EF-188
5/16-24	5/8	M10 x 1.5	5/8	—	—	9/16	1/4	18-8	ZTAE51FXM10C-188
5/16-24	5/8	M10 x 1.5	5/8	—	—	9/16	1/4	316	ZTAE51FXM10C-316
5/16-24	5/8	M10 x 1	5/8	—	—	9/16	1/4	18-8	ZTAE51FXM10EF-188
5/16-24	5/8	M10 x 1	5/8	—	—	9/16	1/4	316	ZTAE51FXM10EF-316
5/16-24	5/8	M10 x 1.25	5/8	—	—	9/16	1/4	18-8	ZTAE51FXM10F-188
5/16-24	5/8	M10 x 1.25	5/8	—	—	9/16	1/4	316	ZTAE51FXM10F-316
5/16-24	5/8	M12 x 1.75	3/4	—	—	3/4	3/8	18-8	ZTAE51FXM12C-188
5/16-24	5/8	M12 x 1.75	3/4	—	—	3/4	3/8	316	ZTAE51FXM12C-316
5/16-24	5/8	M12 x 1.75	3/4	—	—	3/4	3/8	Alum	ZTAE51FXM12C-AL
5/16-24	5/8	M12 x 1.25	3/4	—	—	3/4	3/8	18-8	ZTAE51FXM12EF-188

18-8 SS, 316 SS,  
Alum, Steel

## Male-Female Thread Adapters



Male Thread A Side	Male Thd Lth A Side	Male Thread B Side	Male Thd Lth B Side	Female Thread B Side	Female Thd Lth B Side	Hex A/F	Hex Length	Material	Part Number
5/16-24	5/8	M12 x 1.25	3/4	—	—	3/4	3/8	316	ZTAE51FXM12EF-316
5/16-24	5/8	M12 x 1.25	3/4	—	—	3/4	3/8	Alum	ZTAE51FXM12EF-AL
5/16-24	5/8	M12 x 1.5	3/4	—	—	3/4	3/8	18-8	ZTAE51FXM12F-188
5/16-24	5/8	M12 x 1.5	3/4	—	—	3/4	3/8	316	ZTAE51FXM12F-316
5/16-24	5/8	M5 x 0.8	3/8	—	—	1/2	3/16	18-8	ZTAE51FXM5C-188
5/16-24	5/8	M5 x 0.8	3/8	—	—	1/2	3/16	316	ZTAE51FXM5C-316
5/16-24	5/8	M5 x 0.5	3/8	—	—	1/2	3/16	18-8	ZTAE51FXM5F-188
5/16-24	5/8	M6 x 1	1/2	—	—	1/2	3/16	18-8	ZTAE51FXM6C-188
5/16-24	5/8	M6 x 1	1/2	—	—	1/2	3/16	316	ZTAE51FXM6C-316
5/16-24	5/8	M6 x 1	1/2	—	—	1/2	3/16	Alum	ZTAE51FXM6C-AL
5/16-24	5/8	M6 x 0.75	1/2	—	—	1/2	3/16	18-8	ZTAE51FXM6F-188
5/16-24	5/8	M8 x 1.25	1/2	—	—	1/2	3/16	18-8	ZTAE51FXM8C-188
5/16-24	5/8	M8 x 1.25	1/2	—	—	1/2	3/16	316	ZTAE51FXM8C-316
5/16-24	5/8	M8 x 1.25	1/2	—	—	1/2	3/16	Alum	ZTAE51FXM8C-AL
5/16-24	5/8	M8 x 1	1/2	—	—	1/2	3/16	18-8	ZTAE51FXM8F-188
5/16-24	5/8	M8 x 1	1/2	—	—	1/2	3/16	316	ZTAE51FXM8F-316
5/16-32	5/8	—	—	10-24	7/16	1/2	3/4	18-8	ZTA51EFX10C-188
5/16-32	5/8	—	—	10-32	9/32	1/2	3/4	18-8	ZTA51EFX10F-188
5/16-32	5/8	—	—	10-32	9/32	1/2	3/4	316	ZTA51EFX10F-316
5/16-32	5/8	—	—	1/2-13	11/16	3/4	1-1/2	18-8	ZTA51EFX12C-188
5/16-32	5/8	—	—	1/2-13	11/16	3/4	1-1/2	316	ZTA51EFX12C-316
5/16-32	5/8	—	—	1/2-13	11/16	3/4	1-1/2	Alum	ZTA51EFX12C-AL
5/16-32	5/8	—	—	1/2-28	11/16	3/4	1-1/2	18-8	ZTA51EFX12EF-188
5/16-32	5/8	—	—	1/2-20	11/16	3/4	1-1/2	18-8	ZTA51EFX12F-188
5/16-32	5/8	—	—	1/2-20	11/16	3/4	1-1/2	316	ZTA51EFX12F-316
5/16-32	5/8	—	—	1/4-20	3/8	1/2	1	18-8	ZTA51EFX14C-188
5/16-32	5/8	—	—	1/4-20	3/8	1/2	1	316	ZTA51EFX14C-316
5/16-32	5/8	—	—	1/4-28	3/8	1/2	1	18-8	ZTA51EFX14F-188
5/16-32	5/8	—	—	3/8-16	9/16	1/2	1	18-8	ZTA51EFX38C-188
5/16-32	5/8	—	—	3/8-16	9/16	1/2	1	316	ZTA51EFX38C-316
5/16-32	5/8	—	—	3/8-32	9/16	1/2	1	18-8	ZTA51EFX38EF-188
5/16-32	5/8	—	—	3/8-24	9/16	1/2	1	18-8	ZTA51EFX38F-188
5/16-32	5/8	—	—	5/16-18	5/8	1/2	1	18-8	ZTA51EFX51C-188
5/16-32	5/8	—	—	5/16-18	5/8	1/2	1	316	ZTA51EFX51C-316
5/16-32	5/8	—	—	5/16-24	5/8	1/2	1	18-8	ZTA51EFX51F-188
5/16-32	5/8	—	—	M10 x 1.5	9/16	5/8	1	18-8	ZTA51EFXM10C-188
5/16-32	5/8	—	—	M10 x 1	9/16	5/8	1	18-8	ZTA51EFXM10EF-188
5/16-32	5/8	—	—	M10 x 1.25	9/16	5/8	1	18-8	ZTA51EFXM10F-188
5/16-32	5/8	—	—	M12 x 1.75	11/16	3/4	1-1/2	18-8	ZTA51EFXM12C-188
5/16-32	5/8	—	—	M12 x 1.75	11/16	3/4	1-1/2	316	ZTA51EFXM12C-316
5/16-32	5/8	—	—	M12 x 1.25	11/16	3/4	1-1/2	18-8	ZTA51EFXM12EF-188

## Male-Female Thread Adapters



Male Thread A Side	Male Thd Lth A Side	Male Thread B Side	Male Thd Lth B Side	Female Thread B Side	Female Thd Lth B Side	Hex A/F	Hex Length	Material	Part Number
5/16-32	5/8	—	—	M12 x 1.25	11/16	3/4	1-1/2	316	ZTA51EFXM12EF-316
5/16-32	5/8	—	—	M12 x 1.5	11/16	3/4	1-1/2	18-8	ZTA51EFXM12F-188
5/16-32	5/8	—	—	M5 x 0.8	9/32	1/2	3/4	18-8	ZTA51EFXM5C-188
5/16-32	5/8	—	—	M5 x 0.8	9/32	1/2	3/4	316	ZTA51EFXM5C-316
5/16-32	5/8	—	—	M5 x 0.5	9/32	1/2	3/4	18-8	ZTA51EFXM5F-188
5/16-32	5/8	—	—	M6 x 1	3/8	1/2	1	18-8	ZTA51EFXM6C-188
5/16-32	5/8	—	—	M6 x 1	3/8	1/2	1	316	ZTA51EFXM6C-316
5/16-32	5/8	—	—	M6 x 0.75	3/8	1/2	1	18-8	ZTA51EFXM6F-188
5/16-32	5/8	—	—	M8 x 1.25	3/8	5/8	3/4	18-8	ZTA51EFXM8C-188
5/16-32	5/8	—	—	M8 x 1.25	3/8	5/8	3/4	316	ZTA51EFXM8C-316
5/16-32	5/8	—	—	M8 x 1.25	3/8	5/8	3/4	Alum	ZTA51EFXM8C-AL
5/16-32	5/8	—	—	M8 x 1	3/8	5/8	3/4	18-8	ZTA51EFXM8F-188
5/16-32	5/8	1/2-13	3/4	—	—	3/4	3/8	18-8	ZTAE51EFX12C-188
5/16-32	5/8	1/2-13	3/4	—	—	3/4	3/8	316	ZTAE51EFX12C-316
5/16-32	5/8	1/2-13	3/4	—	—	3/4	3/8	Alum	ZTAE51EFX12C-AL
5/16-32	5/8	1/2-28	3/4	—	—	3/4	3/8	18-8	ZTAE51EFX12EF-188
5/16-32	5/8	1/2-20	3/4	—	—	3/4	3/8	18-8	ZTAE51EFX12F-188
5/16-32	5/8	1/2-20	3/4	—	—	3/4	3/8	316	ZTAE51EFX12F-316
5/16-32	5/8	3/8-16	5/8	—	—	9/16	1/4	18-8	ZTAE51EFX38C-188
5/16-32	5/8	3/8-16	5/8	—	—	9/16	1/4	316	ZTAE51EFX38C-316
5/16-32	5/8	3/8-16	5/8	—	—	9/16	1/4	Alum	ZTAE51EFX38C-AL
5/16-32	5/8	3/8-32	5/8	—	—	9/16	1/4	18-8	ZTAE51EFX38EF-188
5/16-32	5/8	3/8-24	5/8	—	—	9/16	1/4	18-8	ZTAE51EFX38F-188
5/16-32	5/8	M10 x 1.5	5/8	—	—	9/16	1/4	18-8	ZTAE51EFXM10C-188
5/16-32	5/8	M10 x 1.5	5/8	—	—	9/16	1/4	316	ZTAE51EFXM10C-316
5/16-32	5/8	M10 x 1.5	5/8	—	—	9/16	1/4	Alum	ZTAE51EFXM10C-AL
5/16-32	5/8	M10 x 1	5/8	—	—	9/16	1/4	18-8	ZTAE51EFXM10EF-188
5/16-32	5/8	M10 x 1.25	5/8	—	—	9/16	1/4	18-8	ZTAE51EFXM10F-188
5/16-32	5/8	M10 x 1.25	5/8	—	—	9/16	1/4	316	ZTAE51EFXM10F-316
5/16-32	5/8	M12 x 1.75	3/4	—	—	3/4	3/8	18-8	ZTAE51EFXM12C-188
5/16-32	5/8	M12 x 1.75	3/4	—	—	3/4	3/8	316	ZTAE51EFXM12C-316
5/16-32	5/8	M12 x 1.25	3/4	—	—	3/4	3/8	18-8	ZTAE51EFXM12EF-188
5/16-32	5/8	M12 x 1.25	3/4	—	—	3/4	3/8	316	ZTAE51EFXM12EF-316
5/16-32	5/8	M12 x 1.5	3/4	—	—	3/4	3/8	18-8	ZTAE51EFXM12F-188
5/16-32	5/8	M5 x 0.8	3/8	—	—	1/2	3/16	18-8	ZTAE51EFXM5C-188
5/16-32	5/8	M5 x 0.8	3/8	—	—	1/2	3/16	316	ZTAE51EFXM5C-316
5/16-32	5/8	M5 x 0.8	3/8	—	—	1/2	3/16	Alum	ZTAE51EFXM5C-AL
5/16-32	5/8	M5 x 0.5	3/8	—	—	1/2	3/16	18-8	ZTAE51EFXM5F-188
5/16-32	5/8	M6 x 1	1/2	—	—	1/2	3/16	18-8	ZTAE51EFXM6C-188
5/16-32	5/8	M6 x 1	1/2	—	—	1/2	3/16	316	ZTAE51EFXM6C-316
5/16-32	5/8	M6 x 1	1/2	—	—	1/2	3/16	Alum	ZTAE51EFXM6C-AL

## Male-Female Thread Adapters



Male Thread A Side	Male Thd Lth A Side	Male Thread B Side	Male Thd Lth B Side	Female Thread B Side	Female Thd Lth B Side	Hex A/F	Hex Length	Material	Part Number
5/16-32	5/8	M6 x 0.75	1/2	—	—	1/2	3/16	18-8	ZTAE51EFXM6F-188
5/16-32	5/8	M8 x 1.25	1/2	—	—	1/2	3/16	18-8	ZTAE51EFXM8C-188
5/16-32	5/8	M8 x 1.25	1/2	—	—	1/2	3/16	316	ZTAE51EFXM8C-316
5/16-32	5/8	M8 x 1.25	1/2	—	—	1/2	3/16	Alum	ZTAE51EFXM8C-AL
5/16-32	5/8	M8 x 1	1/2	—	—	1/2	3/16	18-8	ZTAE51EFXM8F-188
5/16-32	5/8	M8 x 1	1/2	—	—	1/2	3/16	316	ZTAE51EFXM8F-316
3/8-16	1/2	—	—	3/8-32	5/8	1/2	1	18-8	ZTA38CX38EF-188
3/8-16	1/2	—	—	3/8-32	5/8	1/2	1	316	ZTA38CX38EF-316
3/8-16	1/2	—	—	3/8-24	5/8	1/2	1	316	ZTA38CX38F-316
3/8-16	1/2	—	—	3/8-24	5/8	1/2	1	Alum	ZTA38CX38F-AL
3/8-16	1/2	—	—	M10 x 1.5	9/16	5/8	1	316	ZTA38CXM10C-316
3/8-16	1/2	—	—	M10 x 1.5	9/16	5/8	1	Alum	ZTA38CXM10C-AL
3/8-16	1/2	—	—	M10 x 1	9/16	5/8	1	18-8	ZTA38CXM10EF-188
3/8-16	1/2	—	—	M10 x 1	9/16	5/8	1	316	ZTA38CXM10EF-316
3/8-16	1/2	—	—	M10 x 1	9/16	5/8	1	Alum	ZTA38CXM10EF-AL
3/8-16	1/2	—	—	M10 x 1.25	9/16	5/8	1	18-8	ZTA38CXM10F-188
3/8-16	1/2	—	—	M10 x 1.25	9/16	5/8	1	316	ZTA38CXM10F-316
3/8-16	1/2	—	—	M10 x 1.25	9/16	5/8	1	Alum	ZTA38CXM10F-AL
3/8-16	1/2	—	—	M12 x 1.75	7/8	5/8	1-1/2	316	ZTA38CXM12C-316
3/8-16	1/2	—	—	M12 x 1.75	7/8	5/8	1-1/2	Alum	ZTA38CXM12C-AL
3/8-16	1/2	—	—	M12 x 1.25	7/8	5/8	1-1/2	18-8	ZTA38CXM12EF-188
3/8-16	1/2	—	—	M12 x 1.25	7/8	5/8	1-1/2	316	ZTA38CXM12EF-316
3/8-16	1/2	—	—	M12 x 1.25	7/8	5/8	1-1/2	Alum	ZTA38CXM12EF-AL
3/8-16	1/2	—	—	M12 x 1.5	7/8	5/8	1-1/2	18-8	ZTA38CXM12F-188
3/8-16	1/2	—	—	M12 x 1.5	7/8	5/8	1-1/2	316	ZTA38CXM12F-316
3/8-16	1/2	—	—	M12 x 1.5	7/8	5/8	1-1/2	Alum	ZTA38CXM12F-AL
3/8-16	5/8	1/2-13	3/4	—	—	3/4	3/8	316	ZTAE38CX12C-316
3/8-16	5/8	1/2-13	3/4	—	—	3/4	3/8	Alum	ZTAE38CX12C-AL
3/8-16	5/8	1/2-13	3/4	—	—	3/4	3/8	Stl Blk	ZTAE38CX12CSTL-B
3/8-16	5/8	1/2-28	3/4	—	—	3/4	3/8	18-8	ZTAE38CX12EF-188
3/8-16	5/8	1/2-28	3/4	—	—	3/4	3/8	316	ZTAE38CX12EF-316
3/8-16	5/8	1/2-28	3/4	—	—	3/4	3/8	Alum	ZTAE38CX12EF-AL
3/8-16	5/8	1/2-20	3/4	—	—	3/4	3/8	18-8	ZTAE38CX12F-188
3/8-16	5/8	1/2-20	3/4	—	—	3/4	3/8	316	ZTAE38CX12F-316
3/8-16	5/8	1/2-20	3/4	—	—	3/4	3/8	Alum	ZTAE38CX12F-AL
3/8-16	5/8	3/4-10	3/4	—	—	1-1/8	11/16	18-8	ZTAE38CX34C-188
3/8-16	5/8	3/4-10	3/4	—	—	1-1/8	11/16	316	ZTAE38CX34C-316
3/8-16	5/8	3/4-10	3/4	—	—	1-1/8	11/16	Alum	ZTAE38CX34C-AL
3/8-16	5/8	3/4-10	3/4	—	—	1-1/8	11/16	Stl Blk	ZTAE38CX34CSTL-B
3/8-16	5/8	3/8-32	5/8	—	—	9/16	1/4	18-8	ZTAE38CX38EF-188
3/8-16	5/8	3/8-32	5/8	—	—	9/16	1/4	316	ZTAE38CX38EF-316

## Male-Female Thread Adapters



Male Thread A Side	Male Thd Lth A Side	Male Thread B Side	Male Thd Lth B Side	Female Thread B Side	Female Thd Lth B Side	Hex A/F	Hex Length	Material	Part Number
3/8-16	5/8	3/8-24	5/8	—	—	9/16	1/4	316	ZTAE38CX38F-316
3/8-16	5/8	3/8-24	5/8	—	—	9/16	1/4	Alum	ZTAE38CX38F-AL
3/8-16	5/8	5/8-11	3/4	—	—	15/16	9/16	18-8	ZTAE38CX58C-188
3/8-16	5/8	5/8-11	3/4	—	—	15/16	9/16	316	ZTAE38CX58C-316
3/8-16	5/8	5/8-11	3/4	—	—	15/16	9/16	Alum	ZTAE38CX58C-AL
3/8-16	5/8	5/8-11	3/4	—	—	15/16	9/16	Stl Blk	ZTAE38CX58CSTL-B
3/8-16	5/8	M10 x 1.5	5/8	—	—	9/16	1/4	316	ZTAE38CXM10C-316
3/8-16	5/8	M10 x 1.5	5/8	—	—	9/16	1/4	Alum	ZTAE38CXM10C-AL
3/8-16	5/8	M10 x 1	5/8	—	—	9/16	1/4	18-8	ZTAE38CXM10EF-188
3/8-16	5/8	M10 x 1	5/8	—	—	9/16	1/4	316	ZTAE38CXM10EF-316
3/8-16	5/8	M10 x 1	5/8	—	—	9/16	1/4	Alum	ZTAE38CXM10EF-AL
3/8-16	5/8	M10 x 1.25	5/8	—	—	9/16	1/4	18-8	ZTAE38CXM10F-188
3/8-16	5/8	M10 x 1.25	5/8	—	—	9/16	1/4	316	ZTAE38CXM10F-316
3/8-16	5/8	M10 x 1.25	5/8	—	—	9/16	1/4	Alum	ZTAE38CXM10F-AL
3/8-16	5/8	M12 x 1.75	3/4	—	—	3/4	3/8	316	ZTAE38CXM12C-316
3/8-16	5/8	M12 x 1.75	3/4	—	—	3/4	3/8	Alum	ZTAE38CXM12C-AL
3/8-16	5/8	M12 x 1.25	3/4	—	—	3/4	3/8	18-8	ZTAE38CXM12EF-188
3/8-16	5/8	M12 x 1.25	3/4	—	—	3/4	3/8	316	ZTAE38CXM12EF-316
3/8-16	5/8	M12 x 1.25	3/4	—	—	3/4	3/8	Alum	ZTAE38CXM12EF-AL
3/8-16	5/8	M12 x 1.5	3/4	—	—	3/4	3/8	18-8	ZTAE38CXM12F-188
3/8-16	5/8	M12 x 1.5	3/4	—	—	3/4	3/8	316	ZTAE38CXM12F-316
3/8-16	5/8	M12 x 1.5	3/4	—	—	3/4	3/8	Alum	ZTAE38CXM12F-AL
3/8-16	5/8	M6 x 1	1/2	—	—	9/16	1/4	18-8	ZTAE38CXM6C-188
3/8-16	5/8	M6 x 1	1/2	—	—	9/16	1/4	316	ZTAE38CXM6C-316
3/8-16	5/8	M6 x 1	1/2	—	—	9/16	1/4	Alum	ZTAE38CXM6C-AL
3/8-16	5/8	M6 x 0.75	1/2	—	—	9/16	1/4	18-8	ZTAE38CXM6F-188
3/8-16	5/8	M6 x 0.75	1/2	—	—	9/16	1/4	316	ZTAE38CXM6F-316
3/8-16	5/8	M8 x 1.25	1/2	—	—	9/16	1/4	18-8	ZTAE38CXM8C-188
3/8-16	5/8	M8 x 1.25	1/2	—	—	9/16	1/4	316	ZTAE38CXM8C-316
3/8-16	5/8	M8 x 1.25	1/2	—	—	9/16	1/4	Alum	ZTAE38CXM8C-AL
3/8-16	5/8	M8 x 1	1/2	—	—	9/16	1/4	18-8	ZTAE38CXM8F-188
3/8-16	5/8	M8 x 1	1/2	—	—	9/16	1/4	316	ZTAE38CXM8F-316
3/8-16	5/8	M8 x 1	1/2	—	—	9/16	1/4	Alum	ZTAE38CXM8F-AL
3/8-16	3/4	—	—	1/2-13	3/4	3/4	1-1/2	316	ZTA38CX12C-316
3/8-16	3/4	—	—	1/2-13	3/4	3/4	1-1/2	Alum	ZTA38CX12C-AL
3/8-16	3/4	—	—	1/2-28	3/4	3/4	1-1/2	18-8	ZTA38CX12EF-188
3/8-16	3/4	—	—	1/2-28	3/4	3/4	1-1/2	316	ZTA38CX12EF-316
3/8-16	3/4	—	—	1/2-20	3/4	3/4	1-1/2	18-8	ZTA38CX12F-188
3/8-16	3/4	—	—	1/2-20	3/4	3/4	1-1/2	316	ZTA38CX12F-316
3/8-16	3/4	—	—	1/2-20	3/4	3/4	1-1/2	Alum	ZTA38CX12F-AL
3/8-16	3/4	—	—	1/4-20	3/8	5/8	1	316	ZTA38CX14C-316

## Male-Female Thread Adapters



Male Thread A Side	Male Thd Lth A Side	Male Thread B Side	Male Thd Lth B Side	Female Thread B Side	Female Thd Lth B Side	Hex A/F	Hex Length	Material	Part Number
3/8-16	3/4	—	—	1/4-20	3/8	5/8	1	Alum	ZTA38CX14C-AL
3/8-16	3/4	—	—	1/4-32	3/8	5/8	1	18-8	ZTA38CX14EF-188
3/8-16	3/4	—	—	1/4-28	3/8	5/8	1	18-8	ZTA38CX14F-188
3/8-16	3/4	—	—	1/4-28	3/8	5/8	1	316	ZTA38CX14F-316
3/8-16	3/4	—	—	1/4-28	3/8	5/8	1	Alum	ZTA38CX14F-AL
3/8-16	3/4	—	—	3/4-10	1	1-1/4	2-1/4	18-8	ZTA38CX34C-188
3/8-16	3/4	—	—	3/4-10	1	1-1/4	2-1/4	316	ZTA38CX34C-316
3/8-16	3/4	—	—	3/4-10	1	1-1/4	2-1/4	Alum	ZTA38CX34C-AL
3/8-16	3/4	—	—	3/4-10	1	1-1/4	2-1/4	Stl Blk	ZTA38CX34CSTL-B
3/8-16	3/4	—	—	5/16-18	15/32	5/8	1	316	ZTA38CX51C-316
3/8-16	3/4	—	—	5/16-18	15/32	5/8	1	Alum	ZTA38CX51C-AL
3/8-16	3/4	—	—	5/16-32	15/32	5/8	1	18-8	ZTA38CX51EF-188
3/8-16	3/4	—	—	5/16-24	15/32	5/8	1	18-8	ZTA38CX51F-188
3/8-16	3/4	—	—	5/16-24	15/32	5/8	1	316	ZTA38CX51F-316
3/8-16	3/4	—	—	5/16-24	15/32	5/8	1	Alum	ZTA38CX51F-AL
3/8-16	3/4	—	—	5/8-11	7/8	1	2	18-8	ZTA38CX58C-188
3/8-16	3/4	—	—	5/8-11	7/8	1	2	316	ZTA38CX58C-316
3/8-16	3/4	—	—	5/8-11	7/8	1	2	Alum	ZTA38CX58C-AL
3/8-16	3/4	—	—	5/8-11	7/8	1	2	Stl Blk	ZTA38CX58CSTL-B
3/8-16	3/4	—	—	M6 x 1	3/8	5/8	1	18-8	ZTA38CXM6C-188
3/8-16	3/4	—	—	M6 x 1	3/8	5/8	1	316	ZTA38CXM6C-316
3/8-16	3/4	—	—	M6 x 1	3/8	5/8	1	Alum	ZTA38CXM6C-AL
3/8-16	3/4	—	—	M6 x 0.75	3/8	5/8	1	18-8	ZTA38CXM6F-188
3/8-16	3/4	—	—	M8 x 1.25	15/32	5/8	1	18-8	ZTA38CXM8C-188
3/8-16	3/4	—	—	M8 x 1.25	15/32	5/8	1	316	ZTA38CXM8C-316
3/8-16	3/4	—	—	M8 x 1.25	15/32	5/8	1	Alum	ZTA38CXM8C-AL
3/8-16	3/4	—	—	M8 x 1	15/32	5/8	1	18-8	ZTA38CXM8F-188
3/8-16	3/4	—	—	M8 x 1	15/32	5/8	1	316	ZTA38CXM8F-316
3/8-16	3/4	—	—	M8 x 1	15/32	5/8	1	Alum	ZTA38CXM8F-AL
3/8-24	1/2	—	—	3/8-16	7/8	5/8	1-1/2	316	ZTA38FX38C-316
3/8-24	1/2	—	—	3/8-16	7/8	5/8	1-1/2	Alum	ZTA38FX38C-AL
3/8-24	1/2	—	—	3/8-32	7/8	5/8	1-1/2	18-8	ZTA38FX38EF-188
3/8-24	1/2	—	—	M10 x 1.5	9/16	5/8	1	18-8	ZTA38FXM10C-188
3/8-24	1/2	—	—	M10 x 1.5	9/16	5/8	1	316	ZTA38FXM10C-316
3/8-24	1/2	—	—	M10 x 1.5	9/16	5/8	1	Alum	ZTA38FXM10C-AL
3/8-24	1/2	—	—	M10 x 1	9/16	5/8	1	18-8	ZTA38FXM10EF-188
3/8-24	1/2	—	—	M10 x 1.25	9/16	5/8	1	18-8	ZTA38FXM10F-188
3/8-24	1/2	—	—	M10 x 1.25	9/16	5/8	1	316	ZTA38FXM10F-316
3/8-24	1/2	—	—	M12 x 1.75	7/8	5/8	1-1/2	18-8	ZTA38FXM12C-188
3/8-24	1/2	—	—	M12 x 1.75	7/8	5/8	1-1/2	316	ZTA38FXM12C-316
3/8-24	1/2	—	—	M12 x 1.25	7/8	5/8	1-1/2	18-8	ZTA38FXM12EF-188



## Male-Female Thread Adapters



Male Thread A Side	Male Thd Lth A Side	Male Thread B Side	Male Thd Lth B Side	Female Thread B Side	Female Thd Lth B Side	Hex A/F	Hex Length	Material	Part Number
3/8-24	1/2	—	—	M12 x 1.25	7/8	5/8	1-1/2	316	ZTA38FXM12EF-316
3/8-24	1/2	—	—	M12 x 1.5	7/8	5/8	1-1/2	18-8	ZTA38FXM12F-188
3/8-24	1/2	—	—	M12 x 1.5	7/8	5/8	1-1/2	316	ZTA38FXM12F-316
3/8-24	5/8	1/2-13	3/4	—	—	3/4	3/8	18-8	ZTAE38FX12C-188
3/8-24	5/8	1/2-13	3/4	—	—	3/4	3/8	316	ZTAE38FX12C-316
3/8-24	5/8	1/2-13	3/4	—	—	3/4	3/8	Alum	ZTAE38FX12C-AL
3/8-24	5/8	1/2-28	3/4	—	—	3/4	3/8	18-8	ZTAE38FX12EF-188
3/8-24	5/8	1/2-28	3/4	—	—	3/4	3/8	316	ZTAE38FX12EF-316
3/8-24	5/8	1/2-20	3/4	—	—	3/4	3/8	18-8	ZTAE38FX12F-188
3/8-24	5/8	1/2-20	3/4	—	—	3/4	3/8	316	ZTAE38FX12F-316
3/8-24	5/8	1/2-20	3/4	—	—	3/4	3/8	Alum	ZTAE38FX12F-AL
3/8-24	5/8	3/8-32	5/8	—	—	9/16	1/4	18-8	ZTAE38FX38EF-188
3/8-24	5/8	M10 x 1.5	5/8	—	—	9/16	1/4	18-8	ZTAE38FXM10C-188
3/8-24	5/8	M10 x 1.5	5/8	—	—	9/16	1/4	316	ZTAE38FXM10C-316
3/8-24	5/8	M10 x 1.5	5/8	—	—	9/16	1/4	Alum	ZTAE38FXM10C-AL
3/8-24	5/8	M10 x 1	5/8	—	—	9/16	1/4	18-8	ZTAE38FXM10EF-188
3/8-24	5/8	M10 x 1	5/8	—	—	9/16	1/4	316	ZTAE38FXM10EF-316
3/8-24	5/8	M10 x 1.25	5/8	—	—	9/16	1/4	18-8	ZTAE38FXM10F-188
3/8-24	5/8	M10 x 1.25	5/8	—	—	9/16	1/4	316	ZTAE38FXM10F-316
3/8-24	5/8	M12 x 1.75	3/4	—	—	3/4	3/8	18-8	ZTAE38FXM12C-188
3/8-24	5/8	M12 x 1.75	3/4	—	—	3/4	3/8	316	ZTAE38FXM12C-316
3/8-24	5/8	M12 x 1.75	3/4	—	—	3/4	3/8	Alum	ZTAE38FXM12C-AL
3/8-24	5/8	M12 x 1.25	3/4	—	—	3/4	3/8	18-8	ZTAE38FXM12EF-188
3/8-24	5/8	M12 x 1.25	3/4	—	—	3/4	3/8	316	ZTAE38FXM12EF-316
3/8-24	5/8	M12 x 1.25	3/4	—	—	3/4	3/8	Alum	ZTAE38FXM12EF-AL
3/8-24	5/8	M12 x 1.5	3/4	—	—	3/4	3/8	18-8	ZTAE38FXM12F-188
3/8-24	5/8	M12 x 1.5	3/4	—	—	3/4	3/8	316	ZTAE38FXM12F-316
3/8-24	5/8	M6 x 1	1/2	—	—	9/16	1/4	18-8	ZTAE38FXM6C-188
3/8-24	5/8	M6 x 1	1/2	—	—	9/16	1/4	316	ZTAE38FXM6C-316
3/8-24	5/8	M6 x 1	1/2	—	—	9/16	1/4	Alum	ZTAE38FXM6C-AL
3/8-24	5/8	M6 x 0.75	1/2	—	—	9/16	1/4	18-8	ZTAE38FXM6F-188
3/8-24	5/8	M8 x 1.25	1/2	—	—	9/16	1/4	18-8	ZTAE38FXM8C-188
3/8-24	5/8	M8 x 1.25	1/2	—	—	9/16	1/4	316	ZTAE38FXM8C-316
3/8-24	5/8	M8 x 1.25	1/2	—	—	9/16	1/4	Alum	ZTAE38FXM8C-AL
3/8-24	5/8	M8 x 1	1/2	—	—	9/16	1/4	18-8	ZTAE38FXM8F-188
3/8-24	5/8	M8 x 1	1/2	—	—	9/16	1/4	316	ZTAE38FXM8F-316
3/8-24	3/4	—	—	1/2-13	3/4	3/4	1-1/2	18-8	ZTA38FX12C-188
3/8-24	3/4	—	—	1/2-13	3/4	3/4	1-1/2	316	ZTA38FX12C-316
3/8-24	3/4	—	—	1/2-13	3/4	3/4	1-1/2	Alum	ZTA38FX12C-AL
3/8-24	3/4	—	—	1/2-13	3/4	3/4	1-1/2	Stl Blk	ZTA38FX12CSTL-B
3/8-24	3/4	—	—	1/2-28	3/4	3/4	1-1/2	18-8	ZTA38FX12EF-188



## Male-Female Thread Adapters

Male Thread A Side	Male Thd Lth A Side	Male Thread B Side	Male Thd Lth B Side	Female Thread B Side	Female Thd Lth B Side	Hex A/F	Hex Length	Material	Part Number
3/8-24	3/4	—	—	1/2-20	3/4	3/4	1-1/2	18-8	ZTA38FX12F-188
3/8-24	3/4	—	—	1/2-20	3/4	3/4	1-1/2	316	ZTA38FX12F-316
3/8-24	3/4	—	—	1/4-20	3/8	5/8	1	18-8	ZTA38FX14C-188
3/8-24	3/4	—	—	1/4-20	3/8	5/8	1	316	ZTA38FX14C-316
3/8-24	3/4	—	—	1/4-20	3/8	5/8	1	Alum	ZTA38FX14C-AL
3/8-24	3/4	—	—	1/4-32	3/8	5/8	1	18-8	ZTA38FX14EF-188
3/8-24	3/4	—	—	1/4-28	3/8	5/8	1	18-8	ZTA38FX14F-188
3/8-24	3/4	—	—	3/8-16	9/16	5/8	1-1/2	Stl Blk	ZTA38FX38CSTL-B
3/8-24	3/4	—	—	5/16-18	15/32	5/8	1	18-8	ZTA38FX51C-188
3/8-24	3/4	—	—	5/16-18	15/32	5/8	1	316	ZTA38FX51C-316
3/8-24	3/4	—	—	5/16-18	15/32	5/8	1	Alum	ZTA38FX51C-AL
3/8-24	3/4	—	—	5/16-32	15/32	5/8	1	18-8	ZTA38FX51EF-188
3/8-24	3/4	—	—	5/16-24	15/32	5/8	1	18-8	ZTA38FX51F-188
3/8-24	3/4	—	—	M6 x 1	3/8	5/8	1	18-8	ZTA38FXM6C-188
3/8-24	3/4	—	—	M6 x 1	3/8	5/8	1	316	ZTA38FXM6C-316
3/8-24	3/4	—	—	M6 x 1	3/8	5/8	1	Alum	ZTA38FXM6C-AL
3/8-24	3/4	—	—	M6 x 0.75	3/8	5/8	1	18-8	ZTA38FXM6F-188
3/8-24	3/4	—	—	M8 x 1.25	15/32	5/8	1	18-8	ZTA38FXM8C-188
3/8-24	3/4	—	—	M8 x 1.25	15/32	5/8	1	316	ZTA38FXM8C-316
3/8-24	3/4	—	—	M8 x 1.25	15/32	5/8	1	Alum	ZTA38FXM8C-AL
3/8-24	3/4	—	—	M8 x 1	15/32	5/8	1	18-8	ZTA38FXM8F-188
3/8-24	3/4	—	—	M8 x 1	15/32	5/8	1	316	ZTA38FXM8F-316
3/8-32	1/2	—	—	3/8-16	5/8	1/2	1	18-8	ZTA38EFX38C-188
3/8-32	1/2	—	—	3/8-16	5/8	1/2	1	316	ZTA38EFX38C-316
3/8-32	1/2	—	—	3/8-24	5/8	1/2	1	18-8	ZTA38EFX38F-188
3/8-32	1/2	—	—	M10 x 1.5	9/16	5/8	1	18-8	ZTA38EFXM10C-188
3/8-32	1/2	—	—	M10 x 1.5	9/16	5/8	1	316	ZTA38EFXM10C-316
3/8-32	1/2	—	—	M10 x 1	9/16	5/8	1	18-8	ZTA38EFXM10EF-188
3/8-32	1/2	—	—	M10 x 1.25	9/16	5/8	1	18-8	ZTA38EFXM10F-188
3/8-32	1/2	—	—	M12 x 1.75	7/8	5/8	1-1/2	18-8	ZTA38EFXM12C-188
3/8-32	1/2	—	—	M12 x 1.75	7/8	5/8	1-1/2	316	ZTA38EFXM12C-316
3/8-32	1/2	—	—	M12 x 1.25	7/8	5/8	1-1/2	18-8	ZTA38EFXM12EF-188
3/8-32	1/2	—	—	M12 x 1.25	7/8	5/8	1-1/2	316	ZTA38EFXM12EF-316
3/8-32	1/2	—	—	M12 x 1.5	7/8	5/8	1-1/2	18-8	ZTA38EFXM12F-188
3/8-32	1/2	—	—	M12 x 1.5	7/8	5/8	1-1/2	316	ZTA38EFXM12F-316
3/8-32	5/8	1/2-13	3/4	—	—	3/4	3/8	18-8	ZTAE38EFX12C-188
3/8-32	5/8	1/2-13	3/4	—	—	3/4	3/8	316	ZTAE38EFX12C-316
3/8-32	5/8	1/2-13	3/4	—	—	3/4	3/8	Alum	ZTAE38EFX12C-AL
3/8-32	5/8	1/2-28	3/4	—	—	3/4	3/8	18-8	ZTAE38EFX12EF-188
3/8-32	5/8	1/2-20	3/4	—	—	3/4	3/8	18-8	ZTAE38EFX12F-188
3/8-32	5/8	1/2-20	3/4	—	—	3/4	3/8	316	ZTAE38EFX12F-316
3/8-32	5/8	1/2-20	3/4	—	—	3/4	3/8	Alum	ZTAE38EFX12F-AL

## Male-Female Thread Adapters



Male Thread A Side	Male Thd Lth A Side	Male Thread B Side	Male Thd Lth B Side	Female Thread B Side	Female Thd Lth B Side	Hex A/F	Hex Length	Material	Part Number
3/8-32	5/8	M10 x 1.5	5/8	–	–	9/16	1/4	18-8	ZTAE38EFXM10C-188
3/8-32	5/8	M10 x 1.5	5/8	–	–	9/16	1/4	316	ZTAE38EFXM10C-316
3/8-32	5/8	M10 x 1.5	5/8	–	–	9/16	1/4	Alum	ZTAE38EFXM10C-AL
3/8-32	5/8	M10 x 1	5/8	–	–	9/16	1/4	18-8	ZTAE38EFXM10EF-188
3/8-32	5/8	M10 x 1	5/8	–	–	9/16	1/4	316	ZTAE38EFXM10EF-316
3/8-32	5/8	M10 x 1.25	5/8	–	–	9/16	1/4	18-8	ZTAE38EFXM10F-188
3/8-32	5/8	M10 x 1.25	5/8	–	–	9/16	1/4	316	ZTAE38EFXM10F-316
3/8-32	5/8	M10 x 1.25	5/8	–	–	9/16	1/4	Alum	ZTAE38EFXM10F-AL
3/8-32	5/8	M12 x 1.75	3/4	–	–	3/4	3/8	18-8	ZTAE38EFXM12C-188
3/8-32	5/8	M12 x 1.75	3/4	–	–	3/4	3/8	316	ZTAE38EFXM12C-316
3/8-32	5/8	M12 x 1.75	3/4	–	–	3/4	3/8	Alum	ZTAE38EFXM12C-AL
3/8-32	5/8	M12 x 1.25	3/4	–	–	3/4	3/8	18-8	ZTAE38EFXM12EF-188
3/8-32	5/8	M12 x 1.25	3/4	–	–	3/4	3/8	316	ZTAE38EFXM12EF-316
3/8-32	5/8	M12 x 1.5	3/4	–	–	3/4	3/8	18-8	ZTAE38EFXM12F-188
3/8-32	5/8	M12 x 1.5	3/4	–	–	3/4	3/8	316	ZTAE38EFXM12F-316
3/8-32	5/8	M6 x 1	1/2	–	–	9/16	1/4	18-8	ZTAE38EFXM6C-188
3/8-32	5/8	M6 x 1	1/2	–	–	9/16	1/4	316	ZTAE38EFXM6C-316
3/8-32	5/8	M6 x 1	1/2	–	–	9/16	1/4	Alum	ZTAE38EFXM6C-AL
3/8-32	5/8	M6 x 0.75	1/2	–	–	9/16	1/4	18-8	ZTAE38EFXM6F-188
3/8-32	5/8	M8 x 1.25	1/2	–	–	9/16	1/4	18-8	ZTAE38EFXM8C-188
3/8-32	5/8	M8 x 1.25	1/2	–	–	9/16	1/4	316	ZTAE38EFXM8C-316
3/8-32	5/8	M8 x 1.25	1/2	–	–	9/16	1/4	Alum	ZTAE38EFXM8C-AL
3/8-32	5/8	M8 x 1	1/2	–	–	9/16	1/4	18-8	ZTAE38EFXM8F-188
3/8-32	5/8	M8 x 1	1/2	–	–	9/16	1/4	316	ZTAE38EFXM8F-316
3/8-32	3/4	–	–	1/2-13	3/4	3/4	1-1/2	18-8	ZTA38EFX12C-188
3/8-32	3/4	–	–	1/2-13	3/4	3/4	1-1/2	316	ZTA38EFX12C-316
3/8-32	3/4	–	–	1/2-13	3/4	3/4	1-1/2	Alum	ZTA38EFX12C-AL
3/8-32	3/4	–	–	1/2-20	3/4	3/4	1-1/2	18-8	ZTA38EFX12F-188
3/8-32	3/4	–	–	1/2-20	3/4	3/4	1-1/2	316	ZTA38EFX12F-316
3/8-32	3/4	–	–	1/4-20	3/8	5/8	1	18-8	ZTA38EFX14C-188
3/8-32	3/4	–	–	1/4-20	3/8	5/8	1	316	ZTA38EFX14C-316
3/8-32	3/4	–	–	1/4-20	3/8	5/8	1	Alum	ZTA38EFX14C-AL
3/8-32	3/4	–	–	1/4-32	3/8	5/8	1	18-8	ZTA38EFX14EF-188
3/8-32	3/4	–	–	1/4-28	3/8	5/8	1	18-8	ZTA38EFX14F-188
3/8-32	3/4	–	–	5/16-18	15/32	5/8	1	18-8	ZTA38EFX51C-188
3/8-32	3/4	–	–	5/16-18	15/32	5/8	1	316	ZTA38EFX51C-316
3/8-32	3/4	–	–	5/16-18	15/32	5/8	1	Alum	ZTA38EFX51C-AL
3/8-32	3/4	–	–	5/16-32	15/32	5/8	1	18-8	ZTA38EFX51EF-188
3/8-32	3/4	–	–	5/16-24	15/32	5/8	1	18-8	ZTA38EFX51F-188
3/8-32	3/4	–	–	M6 x 1	3/8	5/8	1	18-8	ZTA38EFXM6C-188
3/8-32	3/4	–	–	M6 x 1	3/8	5/8	1	316	ZTA38EFXM6C-316

## Male-Female Thread Adapters



Male Thread A Side	Male Thd Lth A Side	Male Thread B Side	Male Thd Lth B Side	Female Thread B Side	Female Thd Lth B Side	Hex A/F	Hex Length	Material	Part Number
3/8-32	3/4	—	—	M6 x 1	3/8	5/8	1	Alum	ZTA38EFXM6C-AL
3/8-32	3/4	—	—	M6 x 0.75	3/8	5/8	1	18-8	ZTA38EFXM6F-188
3/8-32	3/4	—	—	M8 x 1.25	15/32	5/8	1	18-8	ZTA38EFXM8C-188
3/8-32	3/4	—	—	M8 x 1.25	15/32	5/8	1	316	ZTA38EFXM8C-316
3/8-32	3/4	—	—	M8 x 1.25	15/32	5/8	1	Alum	ZTA38EFXM8C-AL
3/8-32	3/4	—	—	M8 x 1	15/32	5/8	1	18-8	ZTA38EFXM8F-188
1/2-13	3/4	—	—	1/2-28	7/8	3/4	1-1/2	18-8	ZTA12CX12EF-188
1/2-13	3/4	—	—	1/2-28	7/8	3/4	1-1/2	316	ZTA12CX12EF-316
1/2-13	3/4	—	—	1/2-20	7/8	3/4	1-1/2	316	ZTA12CX12F-316
1/2-13	3/4	—	—	1/2-20	7/8	3/4	1-1/2	Alum	ZTA12CX12F-AL
1/2-13	3/4	—	—	3/4-10	1	1-1/4	2-1/4	18-8	ZTA12CX34C-188
1/2-13	3/4	—	—	3/4-10	1	1-1/4	2-1/4	316	ZTA12CX34C-316
1/2-13	3/4	—	—	3/4-10	1	1-1/4	2-1/4	Alum	ZTA12CX34C-AL
1/2-13	3/4	—	—	5/8-11	7/8	1	2	18-8	ZTA12CX58C-188
1/2-13	3/4	—	—	5/8-11	7/8	1	2	316	ZTA12CX58C-316
1/2-13	3/4	—	—	5/8-11	7/8	1	2	Alum	ZTA12CX58C-AL
1/2-13	3/4	—	—	M12 x 1.75	7/8	3/4	1-1/2	316	ZTA12CXM12C-316
1/2-13	3/4	—	—	M12 x 1.75	7/8	3/4	1-1/2	Alum	ZTA12CXM12C-AL
1/2-13	3/4	—	—	M12 x 1.25	7/8	3/4	1-1/2	18-8	ZTA12CXM12EF-188
1/2-13	3/4	—	—	M12 x 1.25	7/8	3/4	1-1/2	316	ZTA12CXM12EF-316
1/2-13	3/4	—	—	M12 x 1.25	7/8	3/4	1-1/2	Alum	ZTA12CXM12EF-AL
1/2-13	3/4	—	—	M12 x 1.5	7/8	3/4	1-1/2	18-8	ZTA12CXM12F-188
1/2-13	3/4	—	—	M12 x 1.5	7/8	3/4	1-1/2	316	ZTA12CXM12F-316
1/2-13	3/4	1/2-28	3/4	—	—	3/4	3/8	18-8	ZTAE12CX12EF-188
1/2-13	3/4	1/2-28	3/4	—	—	3/4	3/8	316	ZTAE12CX12EF-316
1/2-13	3/4	1/2-28	3/4	—	—	3/4	3/8	Alum	ZTAE12CX12EF-AL
1/2-13	3/4	1/2-20	3/4	—	—	3/4	3/8	316	ZTAE12CX12F-316
1/2-13	3/4	1/2-20	3/4	—	—	3/4	3/8	Alum	ZTAE12CX12F-AL
1/2-13	3/4	1/2-20	3/4	—	—	3/4	3/8	Stl Blk	ZTAE12CX12FSTL-B
1/2-13	3/4	3/4-10	3/4	—	—	1-1/8	11/16	18-8	ZTAE12CX34C-188
1/2-13	3/4	3/4-10	3/4	—	—	1-1/8	11/16	316	ZTAE12CX34C-316
1/2-13	3/4	3/4-10	3/4	—	—	1-1/8	11/16	Alum	ZTAE12CX34C-AL
1/2-13	3/4	3/4-10	3/4	—	—	1-1/8	11/16	Stl Blk	ZTAE12CX34CSTL-B
1/2-13	3/4	5/8-11	3/4	—	—	15/16	9/16	18-8	ZTAE12CX58C-188
1/2-13	3/4	5/8-11	3/4	—	—	15/16	9/16	316	ZTAE12CX58C-316
1/2-13	3/4	5/8-11	3/4	—	—	15/16	9/16	Alum	ZTAE12CX58C-AL
1/2-13	3/4	5/8-11	3/4	—	—	15/16	9/16	Stl Blk	ZTAE12CX58CSTL-B
1/2-13	3/4	M10 x 1.5	5/8	—	—	3/4	3/8	18-8	ZTAE12CXM10C-188
1/2-13	3/4	M10 x 1.5	5/8	—	—	3/4	3/8	316	ZTAE12CXM10C-316
1/2-13	3/4	M10 x 1.5	5/8	—	—	3/4	3/8	Alum	ZTAE12CXM10C-AL
1/2-13	3/4	M10 x 1	5/8	—	—	3/4	3/8	18-8	ZTAE12CXM10EF-188

## Male-Female Thread Adapters



Male Thread A Side	Male Thd Lth A Side	Male Thread B Side	Male Thd Lth B Side	Female Thread B Side	Female Thd Lth B Side	Hex A/F	Hex Length	Material	Part Number
1/2-13	3/4	M10 x 1	5/8	—	—	3/4	3/8	316	ZTAE12CXM10EF-316
1/2-13	3/4	M10 x 1	5/8	—	—	3/4	3/8	Alum	ZTAE12CXM10EF-AL
1/2-13	3/4	M10 x 1.25	5/8	—	—	3/4	3/8	18-8	ZTAE12CXM10F-188
1/2-13	3/4	M10 x 1.25	5/8	—	—	3/4	3/8	316	ZTAE12CXM10F-316
1/2-13	3/4	M10 x 1.25	5/8	—	—	3/4	3/8	Alum	ZTAE12CXM10F-AL
1/2-13	3/4	M12 x 1.75	3/4	—	—	3/4	3/8	316	ZTAE12CXM12C-316
1/2-13	3/4	M12 x 1.75	3/4	—	—	3/4	3/8	Alum	ZTAE12CXM12C-AL
1/2-13	3/4	M12 x 1.25	3/4	—	—	3/4	3/8	18-8	ZTAE12CXM12EF-188
1/2-13	3/4	M12 x 1.25	3/4	—	—	3/4	3/8	316	ZTAE12CXM12EF-316
1/2-13	3/4	M12 x 1.25	3/4	—	—	3/4	3/8	Alum	ZTAE12CXM12EF-AL
1/2-13	3/4	M12 x 1.5	3/4	—	—	3/4	3/8	18-8	ZTAE12CXM12F-188
1/2-13	3/4	M12 x 1.5	3/4	—	—	3/4	3/8	316	ZTAE12CXM12F-316
1/2-13	3/4	M12 x 1.5	3/4	—	—	3/4	3/8	Alum	ZTAE12CXM12F-AL
1/2-13	3/4	M6 x 1	1/2	—	—	3/4	3/8	18-8	ZTAE12CXM6C-188
1/2-13	3/4	M6 x 1	1/2	—	—	3/4	3/8	316	ZTAE12CXM6C-316
1/2-13	3/4	M6 x 1	1/2	—	—	3/4	3/8	Alum	ZTAE12CXM6C-AL
1/2-13	3/4	M6 x 0.75	1/2	—	—	3/4	3/8	18-8	ZTAE12CXM6F-188
1/2-13	3/4	M6 x 0.75	1/2	—	—	3/4	3/8	316	ZTAE12CXM6F-316
1/2-13	3/4	M8 x 1.25	1/2	—	—	3/4	3/8	18-8	ZTAE12CXM8C-188
1/2-13	3/4	M8 x 1.25	1/2	—	—	3/4	3/8	316	ZTAE12CXM8C-316
1/2-13	3/4	M8 x 1.25	1/2	—	—	3/4	3/8	Alum	ZTAE12CXM8C-AL
1/2-13	3/4	M8 x 1	1/2	—	—	3/4	3/8	18-8	ZTAE12CXM8F-188
1/2-13	3/4	M8 x 1	1/2	—	—	3/4	3/8	316	ZTAE12CXM8F-316
1/2-13	3/4	M8 x 1	1/2	—	—	3/4	3/8	Alum	ZTAE12CXM8F-AL
1/2-13	7/8	—	—	1/4-20	3/8	3/4	1-1/2	316	ZTA12CX14C-316
1/2-13	7/8	—	—	1/4-20	3/8	3/4	1-1/2	Alum	ZTA12CX14C-AL
1/2-13	7/8	—	—	1/4-32	3/8	3/4	1-1/2	18-8	ZTA12CX14EF-188
1/2-13	7/8	—	—	1/4-28	3/8	3/4	1-1/2	18-8	ZTA12CX14F-188
1/2-13	7/8	—	—	1/4-28	3/8	3/4	1-1/2	316	ZTA12CX14F-316
1/2-13	7/8	—	—	3/8-16	9/16	3/4	1-1/2	316	ZTA12CX38C-316
1/2-13	7/8	—	—	3/8-16	9/16	3/4	1-1/2	Alum	ZTA12CX38C-AL
1/2-13	7/8	—	—	3/8-32	9/16	3/4	1-1/2	18-8	ZTA12CX38EF-188
1/2-13	7/8	—	—	3/8-32	9/16	3/4	1-1/2	316	ZTA12CX38EF-316
1/2-13	7/8	—	—	3/8-24	9/16	3/4	1-1/2	18-8	ZTA12CX38F-188
1/2-13	7/8	—	—	3/8-24	9/16	3/4	1-1/2	316	ZTA12CX38F-316
1/2-13	7/8	—	—	3/8-24	9/16	3/4	1-1/2	Alum	ZTA12CX38F-AL
1/2-13	7/8	—	—	5/16-18	15/32	3/4	1-1/2	18-8	ZTA12CX51C-188
1/2-13	7/8	—	—	5/16-18	15/32	3/4	1-1/2	316	ZTA12CX51C-316
1/2-13	7/8	—	—	5/16-18	15/32	3/4	1-1/2	Alum	ZTA12CX51C-AL
1/2-13	7/8	—	—	5/16-18	15/32	3/4	1-1/2	Stl Blk	ZTA12CX51CSTL-B
1/2-13	7/8	—	—	5/16-32	15/32	3/4	1-1/2	18-8	ZTA12CX51EF-188



## Male-Female Thread Adapters

Male Thread A Side	Male Thd Lth A Side	Male Thread B Side	Male Thd Lth B Side	Female Thread B Side	Female Thd Lth B Side	Hex A/F	Hex Length	Material	Part Number
1/2-13	7/8	—	—	5/16-32	15/32	3/4	1-1/2	316	ZTA12CX51EF-316
1/2-13	7/8	—	—	5/16-24	15/32	3/4	1-1/2	18-8	ZTA12CX51F-188
1/2-13	7/8	—	—	5/16-24	15/32	3/4	1-1/2	316	ZTA12CX51F-316
1/2-13	7/8	—	—	M10 x 1.5	9/16	3/4	1-1/2	18-8	ZTA12CXM10C-188
1/2-13	7/8	—	—	M10 x 1.5	9/16	3/4	1-1/2	316	ZTA12CXM10C-316
1/2-13	7/8	—	—	M10 x 1.5	9/16	3/4	1-1/2	Alum	ZTA12CXM10C-AL
1/2-13	7/8	—	—	M10 x 1	9/16	3/4	1-1/2	18-8	ZTA12CXM10EF-188
1/2-13	7/8	—	—	M10 x 1	9/16	3/4	1-1/2	316	ZTA12CXM10EF-316
1/2-13	7/8	—	—	M10 x 1.25	9/16	3/4	1-1/2	18-8	ZTA12CXM10F-188
1/2-13	7/8	—	—	M10 x 1.25	9/16	3/4	1-1/2	316	ZTA12CXM10F-316
1/2-13	7/8	—	—	M10 x 1.25	9/16	3/4	1-1/2	Alum	ZTA12CXM10F-AL
1/2-13	7/8	—	—	M6 x 1	3/8	3/4	1-1/2	18-8	ZTA12CXM6C-188
1/2-13	7/8	—	—	M6 x 1	3/8	3/4	1-1/2	316	ZTA12CXM6C-316
1/2-13	7/8	—	—	M6 x 1	3/8	3/4	1-1/2	Alum	ZTA12CXM6C-AL
1/2-13	7/8	—	—	M6 x 0.75	3/8	3/4	1-1/2	18-8	ZTA12CXM6F-188
1/2-13	7/8	—	—	M6 x 0.75	3/8	3/4	1-1/2	316	ZTA12CXM6F-316
1/2-13	7/8	—	—	M8 x 1.25	15/32	3/4	1-1/2	18-8	ZTA12CXM8C-188
1/2-13	7/8	—	—	M8 x 1.25	15/32	3/4	1-1/2	316	ZTA12CXM8C-316
1/2-13	7/8	—	—	M8 x 1.25	15/32	3/4	1-1/2	Alum	ZTA12CXM8C-AL
1/2-13	7/8	—	—	M8 x 1	15/32	3/4	1-1/2	18-8	ZTA12CXM8F-188
1/2-13	7/8	—	—	M8 x 1	15/32	3/4	1-1/2	316	ZTA12CXM8F-316
1/2-13	7/8	—	—	M8 x 1	15/32	3/4	1-1/2	Alum	ZTA12CXM8F-AL
1/2-20	3/4	—	—	1/2-13	7/8	3/4	1-1/2	316	ZTA12FX12C-316
1/2-20	3/4	—	—	1/2-13	7/8	3/4	1-1/2	Alum	ZTA12FX12C-AL
1/2-20	3/4	—	—	1/2-28	7/8	3/4	1-1/2	18-8	ZTA12FX12EF-188
1/2-20	3/4	—	—	1/2-28	7/8	3/4	1-1/2	316	ZTA12FX12EF-316
1/2-20	3/4	—	—	M12 x 1.75	7/8	3/4	1-1/2	18-8	ZTA12FXM12C-188
1/2-20	3/4	—	—	M12 x 1.75	7/8	3/4	1-1/2	316	ZTA12FXM12C-316
1/2-20	3/4	—	—	M12 x 1.25	7/8	3/4	1-1/2	18-8	ZTA12FXM12EF-188
1/2-20	3/4	—	—	M12 x 1.25	7/8	3/4	1-1/2	316	ZTA12FXM12EF-316
1/2-20	3/4	—	—	M12 x 1.5	7/8	3/4	1-1/2	18-8	ZTA12FXM12F-188
1/2-20	3/4	—	—	M12 x 1.5	7/8	3/4	1-1/2	316	ZTA12FXM12F-316
1/2-20	3/4	1/2-28	3/4	—	—	3/4	3/8	18-8	ZTAE12FX12EF-188
1/2-20	3/4	1/2-28	3/4	—	—	3/4	3/8	316	ZTAE12FX12EF-316
1/2-20	3/4	M10 x 1.5	5/8	—	—	3/4	3/8	18-8	ZTAE12FXM10C-188
1/2-20	3/4	M10 x 1.5	5/8	—	—	3/4	3/8	316	ZTAE12FXM10C-316
1/2-20	3/4	M10 x 1.5	5/8	—	—	3/4	3/8	Alum	ZTAE12FXM10C-AL
1/2-20	3/4	M10 x 1	5/8	—	—	3/4	3/8	18-8	ZTAE12FXM10EF-188
1/2-20	3/4	M10 x 1	5/8	—	—	3/4	3/8	316	ZTAE12FXM10EF-316
1/2-20	3/4	M10 x 1	5/8	—	—	3/4	3/8	Alum	ZTAE12FXM10EF-AL
1/2-20	3/4	M10 x 1.25	5/8	—	—	3/4	3/8	18-8	ZTAE12FXM10F-188
1/2-20	3/4	M10 x 1.25	5/8	—	—	3/4	3/8	316	ZTAE12FXM10F-316

## Male-Female Thread Adapters



Male Thread A Side	Male Thd Lth A Side	Male Thread B Side	Male Thd Lth B Side	Female Thread B Side	Female Thd Lth B Side	Hex A/F	Hex Length	Material	Part Number
1/2-20	3/4	M10 x 1.25	5/8	–	–	3/4	3/8	Alum	ZTAE12FXM10F-AL
1/2-20	3/4	M12 x 1.75	3/4	–	–	3/4	3/8	18-8	ZTAE12FXM12C-188
1/2-20	3/4	M12 x 1.75	3/4	–	–	3/4	3/8	316	ZTAE12FXM12C-316
1/2-20	3/4	M12 x 1.75	3/4	–	–	3/4	3/8	Alum	ZTAE12FXM12C-AL
1/2-20	3/4	M12 x 1.25	3/4	–	–	3/4	3/8	18-8	ZTAE12FXM12EF-188
1/2-20	3/4	M12 x 1.25	3/4	–	–	3/4	3/8	316	ZTAE12FXM12EF-316
1/2-20	3/4	M12 x 1.25	3/4	–	–	3/4	3/8	Alum	ZTAE12FXM12EF-AL
1/2-20	3/4	M12 x 1.5	3/4	–	–	3/4	3/8	18-8	ZTAE12FXM12F-188
1/2-20	3/4	M12 x 1.5	3/4	–	–	3/4	3/8	316	ZTAE12FXM12F-316
1/2-20	3/4	M6 x 1	1/2	–	–	3/4	3/8	18-8	ZTAE12FXM6C-188
1/2-20	3/4	M6 x 1	1/2	–	–	3/4	3/8	316	ZTAE12FXM6C-316
1/2-20	3/4	M6 x 1	1/2	–	–	3/4	3/8	Alum	ZTAE12FXM6C-AL
1/2-20	3/4	M6 x 0.75	1/2	–	–	3/4	3/8	18-8	ZTAE12FXM6F-188
1/2-20	3/4	M8 x 1.25	1/2	–	–	3/4	3/8	18-8	ZTAE12FXM8C-188
1/2-20	3/4	M8 x 1.25	1/2	–	–	3/4	3/8	316	ZTAE12FXM8C-316
1/2-20	3/4	M8 x 1.25	1/2	–	–	3/4	3/8	Alum	ZTAE12FXM8C-AL
1/2-20	3/4	M8 x 1	1/2	–	–	3/4	3/8	18-8	ZTAE12FXM8F-188
1/2-20	3/4	M8 x 1	1/2	–	–	3/4	3/8	316	ZTAE12FXM8F-316
1/2-20	3/4	M8 x 1	1/2	–	–	3/4	3/8	Alum	ZTAE12FXM8F-AL
1/2-20	7/8	–	–	1/2-13	3/4	3/4	1-1/2	Stl Blk	ZTA12FX12CSTL-B
1/2-20	7/8	–	–	1/4-20	3/8	3/4	1-1/2	18-8	ZTA12FX14C-188
1/2-20	7/8	–	–	1/4-20	3/8	3/4	1-1/2	316	ZTA12FX14C-316
1/2-20	7/8	–	–	1/4-20	3/8	3/4	1-1/2	Alum	ZTA12FX14C-AL
1/2-20	7/8	–	–	1/4-20	3/8	3/4	1-1/2	Stl Blk	ZTA12FX14CSTL-B
1/2-20	7/8	–	–	1/4-32	3/8	3/4	1-1/2	18-8	ZTA12FX14EF-188
1/2-20	7/8	–	–	1/4-28	3/8	3/4	1-1/2	18-8	ZTA12FX14F-188
1/2-20	7/8	–	–	1/4-28	3/8	3/4	1-1/2	316	ZTA12FX14F-316
1/2-20	7/8	–	–	3/8-16	9/16	3/4	1-1/2	18-8	ZTA12FX38C-188
1/2-20	7/8	–	–	3/8-16	9/16	3/4	1-1/2	316	ZTA12FX38C-316
1/2-20	7/8	–	–	3/8-16	9/16	3/4	1-1/2	Alum	ZTA12FX38C-AL
1/2-20	7/8	–	–	3/8-16	9/16	3/4	1-1/2	Stl Blk	ZTA12FX38CSTL-B
1/2-20	7/8	–	–	3/8-32	9/16	3/4	1-1/2	18-8	ZTA12FX38EF-188
1/2-20	7/8	–	–	3/8-32	9/16	3/4	1-1/2	316	ZTA12FX38EF-316
1/2-20	7/8	–	–	3/8-24	9/16	3/4	1-1/2	18-8	ZTA12FX38F-188
1/2-20	7/8	–	–	3/8-24	9/16	3/4	1-1/2	316	ZTA12FX38F-316
1/2-20	7/8	–	–	5/16-18	15/32	3/4	1-1/2	18-8	ZTA12FX51C-188
1/2-20	7/8	–	–	5/16-18	15/32	3/4	1-1/2	316	ZTA12FX51C-316
1/2-20	7/8	–	–	5/16-18	15/32	3/4	1-1/2	Alum	ZTA12FX51C-AL
1/2-20	7/8	–	–	5/16-32	15/32	3/4	1-1/2	18-8	ZTA12FX51EF-188
1/2-20	7/8	–	–	5/16-24	15/32	3/4	1-1/2	18-8	ZTA12FX51F-188
1/2-20	7/8	–	–	5/16-24	15/32	3/4	1-1/2	316	ZTA12FX51F-316

## Male-Female Thread Adapters



Male Thread A Side	Male Thd Lth A Side	Male Thread B Side	Male Thd Lth B Side	Female Thread B Side	Female Thd Lth B Side	Hex A/F	Hex Length	Material	Part Number
1/2-20	7/8	—	—	M10 x 1.5	9/16	3/4	1-1/2	18-8	ZTA12FXM10C-188
1/2-20	7/8	—	—	M10 x 1.5	9/16	3/4	1-1/2	316	ZTA12FXM10C-316
1/2-20	7/8	—	—	M10 x 1.5	9/16	3/4	1-1/2	Alum	ZTA12FXM10C-AL
1/2-20	7/8	—	—	M10 x 1	9/16	3/4	1-1/2	18-8	ZTA12FXM10EF-188
1/2-20	7/8	—	—	M10 x 1	9/16	3/4	1-1/2	316	ZTA12FXM10EF-316
1/2-20	7/8	—	—	M10 x 1.25	9/16	3/4	1-1/2	18-8	ZTA12FXM10F-188
1/2-20	7/8	—	—	M10 x 1.25	9/16	3/4	1-1/2	316	ZTA12FXM10F-316
1/2-20	7/8	—	—	M6 x 1	3/8	3/4	1-1/2	18-8	ZTA12FXM6C-188
1/2-20	7/8	—	—	M6 x 1	3/8	3/4	1-1/2	316	ZTA12FXM6C-316
1/2-20	7/8	—	—	M6 x 1	3/8	3/4	1-1/2	Alum	ZTA12FXM6C-AL
1/2-20	7/8	—	—	M8 x 1.25	15/32	3/4	1-1/2	18-8	ZTA12FXM8C-188
1/2-20	7/8	—	—	M8 x 1.25	15/32	3/4	1-1/2	316	ZTA12FXM8C-316
1/2-20	7/8	—	—	M8 x 1.25	15/32	3/4	1-1/2	Alum	ZTA12FXM8C-AL
1/2-20	7/8	—	—	M8 x 1	15/32	3/4	1-1/2	18-8	ZTA12FXM8F-188
1/2-20	7/8	—	—	M8 x 1	15/32	3/4	1-1/2	316	ZTA12FXM8F-316
1/2-28	3/4	—	—	1/2-13	7/8	3/4	1-1/2	18-8	ZTA12EFX12C-188
1/2-28	3/4	—	—	1/2-13	7/8	3/4	1-1/2	316	ZTA12EFX12C-316
1/2-28	3/4	—	—	1/2-13	7/8	3/4	1-1/2	Alum	ZTA12EFX12C-AL
1/2-28	3/4	—	—	1/2-20	7/8	3/4	1-1/2	18-8	ZTA12EFX12F-188
1/2-28	3/4	—	—	1/2-20	7/8	3/4	1-1/2	316	ZTA12EFX12F-316
1/2-28	3/4	—	—	M12 x 1.75	7/8	3/4	1-1/2	18-8	ZTA12EFXM12C-188
1/2-28	3/4	—	—	M12 x 1.75	7/8	3/4	1-1/2	316	ZTA12EFXM12C-316
1/2-28	3/4	—	—	M12 x 1.25	7/8	3/4	1-1/2	18-8	ZTA12EFXM12EF-188
1/2-28	3/4	—	—	M12 x 1.25	7/8	3/4	1-1/2	316	ZTA12EFXM12EF-316
1/2-28	3/4	—	—	M12 x 1.5	7/8	3/4	1-1/2	18-8	ZTA12EFXM12F-188
1/2-28	3/4	—	—	M12 x 1.5	7/8	3/4	1-1/2	316	ZTA12EFXM12F-316
1/2-28	3/4	M10 x 1.5	5/8	—	—	3/4	3/8	18-8	ZTAE12EFXM10C-188
1/2-28	3/4	M10 x 1.5	5/8	—	—	3/4	3/8	316	ZTAE12EFXM10C-316
1/2-28	3/4	M10 x 1.5	5/8	—	—	3/4	3/8	Alum	ZTAE12EFXM10C-AL
1/2-28	3/4	M10 x 1	5/8	—	—	3/4	3/8	18-8	ZTAE12EFXM10EF-188
1/2-28	3/4	M10 x 1	5/8	—	—	3/4	3/8	316	ZTAE12EFXM10EF-316
1/2-28	3/4	M10 x 1.25	5/8	—	—	3/4	3/8	18-8	ZTAE12EFXM10F-188
1/2-28	3/4	M10 x 1.25	5/8	—	—	3/4	3/8	316	ZTAE12EFXM10F-316
1/2-28	3/4	M10 x 1.25	5/8	—	—	3/4	3/8	Alum	ZTAE12EFXM10F-AL
1/2-28	3/4	M12 x 1.75	3/4	—	—	3/4	3/8	18-8	ZTAE12EFXM12C-188
1/2-28	3/4	M12 x 1.75	3/4	—	—	3/4	3/8	316	ZTAE12EFXM12C-316
1/2-28	3/4	M12 x 1.75	3/4	—	—	3/4	3/8	Alum	ZTAE12EFXM12C-AL
1/2-28	3/4	M12 x 1.25	3/4	—	—	3/4	3/8	18-8	ZTAE12EFXM12EF-188
1/2-28	3/4	M12 x 1.25	3/4	—	—	3/4	3/8	316	ZTAE12EFXM12EF-316
1/2-28	3/4	M12 x 1.5	3/4	—	—	3/4	3/8	18-8	ZTAE12EFXM12F-188
1/2-28	3/4	M12 x 1.5	3/4	—	—	3/4	3/8	316	ZTAE12EFXM12F-316



## Male-Female Thread Adapters



Male Thread A Side	Male Thd Lth A Side	Male Thread B Side	Male Thd Lth B Side	Female Thread B Side	Female Thd Lth B Side	Hex A/F	Hex Length	Material	Part Number
1/2-28	3/4	M6 x 1	1/2	–	–	3/4	3/8	18-8	ZTAE12EFXM6C-188
1/2-28	3/4	M6 x 1	1/2	–	–	3/4	3/8	316	ZTAE12EFXM6C-316
1/2-28	3/4	M6 x 1	1/2	–	–	3/4	3/8	Alum	ZTAE12EFXM6C-AL
1/2-28	3/4	M6 x 0.75	1/2	–	–	3/4	3/8	18-8	ZTAE12EFXM6F-188
1/2-28	3/4	M8 x 1	1/2	–	–	3/4	3/8	18-8	ZTAE12EFXM8F-188
1/2-28	3/4	M8 x 1	1/2	–	–	3/4	3/8	316	ZTAE12EFXM8F-316
1/2-28	3/4	M8 x 1.25	1/2	–	–	3/4	3/8	18-8	ZTAE12EFXM8C-188
1/2-28	3/4	M8 x 1.25	1/2	–	–	3/4	3/8	316	ZTAE12EFXM8C-316
1/2-28	3/4	M8 x 1.25	1/2	–	–	3/4	3/8	Alum	ZTAE12EFXM8C-AL
1/2-28	7/8	–	–	1/4-20	3/8	3/4	1-1/2	18-8	ZTA12EFX14C-188
1/2-28	7/8	–	–	1/4-20	3/8	3/4	1-1/2	316	ZTA12EFX14C-316
1/2-28	7/8	–	–	1/4-20	3/8	3/4	1-1/2	Alum	ZTA12EFX14C-AL
1/2-28	7/8	–	–	1/4-32	3/8	3/4	1-1/2	18-8	ZTA12EFX14EF-188
1/2-28	7/8	–	–	1/4-28	3/8	3/4	1-1/2	18-8	ZTA12EFX14F-188
1/2-28	7/8	–	–	3/8-16	9/16	3/4	1-1/2	18-8	ZTA12EFX38C-188
1/2-28	7/8	–	–	3/8-16	9/16	3/4	1-1/2	316	ZTA12EFX38C-316
1/2-28	7/8	–	–	3/8-16	9/16	3/4	1-1/2	Alum	ZTA12EFX38C-AL
1/2-28	7/8	–	–	3/8-32	9/16	3/4	1-1/2	18-8	ZTA12EFX38EF-188
1/2-28	7/8	–	–	3/8-24	9/16	3/4	1-1/2	18-8	ZTA12EFX38F-188
1/2-28	7/8	–	–	3/8-24	9/16	3/4	1-1/2	316	ZTA12EFX38F-316
1/2-28	7/8	–	–	5/16-18	15/32	3/4	1-1/2	18-8	ZTA12EFX51C-188
1/2-28	7/8	–	–	5/16-18	15/32	3/4	1-1/2	316	ZTA12EFX51C-316
1/2-28	7/8	–	–	5/16-18	15/32	3/4	1-1/2	Alum	ZTA12EFX51C-AL
1/2-28	7/8	–	–	5/16-32	15/32	3/4	1-1/2	18-8	ZTA12EFX51EF-188
1/2-28	7/8	–	–	5/16-24	15/32	3/4	1-1/2	18-8	ZTA12EFX51F-188
1/2-28	7/8	–	–	5/16-24	15/32	3/4	1-1/2	316	ZTA12EFX51F-316
1/2-28	7/8	–	–	M6 x 0.75	3/8	3/4	1-1/2	18-8	ZTA12EFXM6F-188
1/2-28	7/8	–	–	M6 x 1	3/8	3/4	1-1/2	18-8	ZTA12EFXM6C-188
1/2-28	7/8	–	–	M6 x 1	3/8	3/4	1-1/2	316	ZTA12EFXM6C-316
1/2-28	7/8	–	–	M6 x 1	3/8	3/4	1-1/2	Alum	ZTA12EFXM6C-AL
1/2-28	7/8	–	–	M8 x 1	15/32	3/4	1-1/2	18-8	ZTA12EFXM8F-188
1/2-28	7/8	–	–	M8 x 1	15/32	3/4	1-1/2	316	ZTA12EFXM8F-316
1/2-28	7/8	–	–	M8 x 1.25	15/32	3/4	1-1/2	18-8	ZTA12EFXM8C-188
1/2-28	7/8	–	–	M8 x 1.25	15/32	3/4	1-1/2	316	ZTA12EFXM8C-316
1/2-28	7/8	–	–	M8 x 1.25	15/32	3/4	1-1/2	Alum	ZTA12EFXM8C-AL
1/2-28	7/8	–	–	M10 x 1.5	9/16	3/4	1-1/2	18-8	ZTA12EFXM10C-188
1/2-28	7/8	–	–	M10 x 1.5	9/16	3/4	1-1/2	316	ZTA12EFXM10C-316
1/2-28	7/8	–	–	M10 x 1	9/16	3/4	1-1/2	18-8	ZTA12EFXM10EF-188
1/2-28	7/8	–	–	M10 x 1	9/16	3/4	1-1/2	316	ZTA12EFXM10EF-316
1/2-28	7/8	–	–	M10 x 1.25	9/16	3/4	1-1/2	18-8	ZTA12EFXM10F-188
1/2-28	7/8	–	–	M10 x 1.25	9/16	3/4	1-1/2	316	ZTA12EFXM10F-316

## Male-Female Thread Adapters

Metric Male Thread Size



Male Thread A Side	Male Thd Lth A Side	Male Thread B Side	Male Thd Lth B Side	Female Thread B Side	Female Thd Lth B Side	Hex A/F	Hex Length	Material	Part Number
M2.5 x 0.45	7.5mm	M3 x 0.5	7.5mm	—	—	6.4mm	3.2mm	316	ZTAEM2.5CXM3C-316
M2.5 x 0.45	7.5mm	M3 x 0.35	7.5mm	—	—	6.4mm	3.2mm	18-8	ZTAEM2.5CXM3F-188
M3 x 0.35	7.5mm	—	—	M2.5 x 0.45	3.0mm	10mm	12.7mm	18-8	ZTAM3FXM2.5C-188
M3 x 0.35	7.5mm	—	—	M3 x 0.5	3.2mm	10mm	12.7mm	18-8	ZTAM3FXM3C-188
M3 x 0.35	7.5mm	—	—	M3 x 0.5	3.2mm	10mm	12.7mm	316	ZTAM3FXM3C-316
M3 x 0.35	7.5mm	—	—	M4 x 0.7	3.2mm	10mm	12.7mm	18-8	ZTAM3FXM4C-188
M3 x 0.35	7.5mm	—	—	M4 x 0.7	3.2mm	10mm	12.7mm	316	ZTAM3FXM4C-316
M3 x 0.5	7.5mm	M3 x 0.35	7.5mm	—	—	6.4mm	3.2mm	18-8	ZTAEM3CXM3F-188
M3 x 0.5	7.5mm	M4 x 0.5	9.5mm	—	—	6.4mm	3.2mm	18-8	ZTAEM3CXM4F-188
M3 x 0.5	7.5mm	—	—	M2.5 x 0.45	3.0mm	10mm	12.7mm	316	ZTAM3CXM2.5C-316
M3 x 0.5	7.5mm	—	—	M3.5 x 0.6	3.2mm	10mm	12.7mm	18-8	ZTAM3CXM3.5C-188
M3 x 0.5	7.5mm	—	—	M4 x 0.7	3.2mm	10mm	12.7mm	316	ZTAM3CXM4C-316
M3 x 0.5	7.5mm	—	—	M4 x 0.5	3.2mm	10mm	12.7mm	18-8	ZTAM3CXM4F-188
M3.5 x 0.6	9.5mm	M5 x 0.5	7.5mm	—	—	7.9mm	3.2mm	18-8	ZTAEM3.5CXM5F-188
M4 x 0.5	9.5mm	—	—	M3 x 0.5	3.2mm	11mm	12.7mm	18-8	ZTAM4FXM3C-188
M4 x 0.5	9.5mm	—	—	M3 x 0.5	3.2mm	11mm	12.7mm	316	ZTAM4FXM3C-316
M4 x 0.5	9.5mm	—	—	M4 x 0.7	3.2mm	11mm	12.7mm	18-8	ZTAM4FXM4C-188
M4 x 0.5	9.5mm	—	—	M4 x 0.7	3.2mm	11mm	12.7mm	316	ZTAM4FXM4C-316
M4 x 0.5	9.5mm	—	—	M5 x 0.8	9.5mm	11mm	19.1mm	18-8	ZTAM4FXM5C-188
M4 x 0.5	3/8	—	—	6-32	1/4	3/8	1/2	18-8	ZTAM4FX6C-188
M4 x 0.7	9.5mm	M3 x 0.5	7.5mm	—	—	6.4mm	3.2mm	316	ZTAEM4CXM3C-316
M4 x 0.7	9.5mm	M3 x 0.35	7.5mm	—	—	6.4mm	3.2mm	18-8	ZTAEM4CXM3F-188
M4 x 0.7	9.5mm	M4 x 0.5	9.5mm	—	—	6.4mm	3.2mm	18-8	ZTAEM4CXM4F-188
M4 x 0.7	9.5mm	M5 x 0.8	9.5mm	—	—	7.9mm	3.2mm	316	ZTAEM4CXM5C-316
M4 x 0.7	9.5mm	M5 x 0.5	9.5mm	—	—	7.9mm	3.2mm	18-8	ZTAEM4CXM5F-188
M4 x 0.7	9.5mm	—	—	M3 x 0.5	3.2mm	11mm	12.7mm	316	ZTAM4CXM3C-316
M4 x 0.7	9.5mm	—	—	M5 x 0.8	9.5mm	11mm	19.1mm	316	ZTAM4CXM5C-316
M4 x 0.7	9.5mm	—	—	M5 x 0.5	9.5mm	11mm	19.1mm	18-8	ZTAM4CXM5F-188
M4 x 0.7	3/8	—	—	6-32	1/4	1/4	1/2	316	ZTAM4CX6C-316
M4 x 0.7	3/8	—	—	6-40	1/4	3/8	1/2	18-8	ZTAM4CX6F-188
M5 x 0.5	9.5mm	—	—	M4 x 0.7	3.2mm	11mm	12.7mm	18-8	ZTAM5FXM4C-188
M5 x 0.5	9.5mm	—	—	M4 x 0.7	3.2mm	11mm	12.7mm	316	ZTAM5FXM4C-316
M5 x 0.5	9.5mm	—	—	M5 x 0.8	11.1mm	13mm	19.1mm	18-8	ZTAM5FXM5C-188
M5 x 0.5	9.5mm	—	—	M5 x 0.8	11.1mm	13mm	19.1mm	316	ZTAM5FXM5C-316
M5 x 0.5	9.5mm	—	—	M6 x 1	11.1mm	13mm	19.1mm	18-8	ZTAM5FXM6C-188
M5 x 0.5	9.5mm	—	—	M6 x 1	11.1mm	13mm	19.1mm	316	ZTAM5FXM6C-316
M5 x 0.5	9.5mm	—	—	M6 x 0.75	11.1mm	13mm	19.1mm	18-8	ZTAM5FXM6F-188
M5 x 0.5	3/8	—	—	10-24	7/16	3/8	3/4	18-8	ZTAM5FX10C-188
M5 x 0.5	3/8	—	—	10-32	1/2	3/8	3/4	18-8	ZTAM5FX10F-188

## Male-Female Thread Adapters

Metric Male Thread Size



Male Thread A Side	Male Thd Lth A Side	Male Thread B Side	Male Thd Lth B Side	Female Thread B Side	Female Thd Lth B Side	Hex A/F	Hex Length	Material	Part Number
M5 x 0.5	3/8	—	—	10-32	1/2	3/8	3/4	316	ZTAM5FX10F-316
M5 x 0.5	3/8	—	—	1/4-20	3/8	1/2	3/4	18-8	ZTAM5FX14C-188
M5 x 0.5	3/8	—	—	1/4-20	3/8	1/2	3/4	316	ZTAM5FX14C-316
M5 x 0.5	3/8	—	—	5/16-18	3/8	1/2	3/4	18-8	ZTAM5FX51C-188
M5 x 0.5	3/8	—	—	5/16-18	3/8	1/2	3/4	316	ZTAM5FX51C-316
M5 x 0.5	3/8	—	—	6-32	7/16	3/8	3/4	18-8	ZTAM5FX6C-188
M5 x 0.5	3/8	—	—	8-32	7/16	3/8	3/4	18-8	ZTAM5FX8C-188
M5 x 0.8	9.5mm	M4 x 0.5	9.5mm	—	—	7.9mm	3.2mm	18-8	ZTAEM5CXM4F-188
M5 x 0.8	9.5mm	M5 x 0.5	9.5mm	—	—	7.9mm	3.2mm	18-8	ZTAEM5CXM5F-188
M5 x 0.8	9.5mm	M6 x 1	12.7mm	—	—	9.5mm	4.8mm	316	ZTAEM5CXM6C-316
M5 x 0.8	9.5mm	M6 x 0.75	12.7mm	—	—	9.5mm	4.8mm	18-8	ZTAEM5CXM6F-188
M5 x 0.8	9.5mm	—	—	M4 x 0.7	3.2mm	11mm	12.7mm	316	ZTAM5CXM4C-316
M5 x 0.8	9.5mm	—	—	M6 x 1	11.1mm	13mm	19.1mm	316	ZTAM5CXM6C-316
M5 x 0.8	9.5mm	—	—	M6 x 0.75	11.1mm	13mm	19.1mm	18-8	ZTAM5CXM6F-188
M5 x 0.8	3/8	—	—	10-24	7/16	3/8	3/4	316	ZTAM5CX10C-316
M5 x 0.8	3/8	—	—	10-32	7/16	3/8	3/4	316	ZTAM5CX10F-316
M5 x 0.8	3/8	—	—	1/4-20	3/8	1/2	3/4	316	ZTAM5CX14C-316
M5 x 0.8	3/8	—	—	1/4-28	3/8	1/2	3/4	18-8	ZTAM5CX14F-188
M5 x 0.8	3/8	—	—	5/16-18	3/8	1/2	3/4	316	ZTAM5CX51C-316
M5 x 0.8	3/8	—	—	5/16-24	3/8	1/2	3/4	18-8	ZTAM5CX51F-188
M5 x 0.8	3/8	—	—	5/16-24	3/8	1/2	3/4	316	ZTAM5CX51F-316
M5 x 0.8	3/8	—	—	6-32	7/16	3/8	3/4	316	ZTAM5CX6C-316
M5 x 0.8	3/8	—	—	6-40	7/16	3/8	3/4	18-8	ZTAM5CX6F-188
M5 x 0.8	3/8	—	—	8-32	7/16	3/8	3/4	316	ZTAM5CX8C-316
M6 x 0.75	12.7mm	M8 x 1	12.7mm	—	—	12.7mm	4.8mm	18-8	ZTAEM6FXM8F-188
M6 x 0.75	12.7mm	M8 x 1	12.7mm	—	—	12.7mm	4.8mm	316	ZTAEM6FXM8F-316
M6 x 0.75	1/2	—	—	10-24	7/16	3/8	3/4	18-8	ZTAM6FX10C-188
M6 x 0.75	1/2	—	—	10-32	1/2	3/8	3/4	18-8	ZTAM6FX10F-188
M6 x 0.75	1/2	—	—	10-32	1/2	3/8	3/4	316	ZTAM6FX10F-316
M6 x 0.75	1/2	—	—	1/2-13	3/4	3/4	1-1/2	18-8	ZTAM6FX12C-188
M6 x 0.75	1/2	—	—	1/2-13	3/4	3/4	1-1/2	316	ZTAM6FX12C-316
M6 x 0.75	1/2	—	—	1/2-13	3/4	3/4	1-1/2	Alum	ZTAM6FX12C-AL
M6 x 0.75	1/2	—	—	1/2-28	3/4	3/4	1-1/2	18-8	ZTAM6FX12EF-188
M6 x 0.75	1/2	—	—	1/2-20	3/4	3/4	1-1/2	18-8	ZTAM6FX12F-188
M6 x 0.75	1/2	—	—	1/2-20	3/4	3/4	1-1/2	316	ZTAM6FX12F-316
M6 x 0.75	1/2	—	—	1/4-20	5/8	1/2	1	18-8	ZTAM6FX14C-188
M6 x 0.75	1/2	—	—	1/4-20	5/8	1/2	1	316	ZTAM6FX14C-316
M6 x 0.75	1/2	—	—	1/4-28	5/8	1/2	1	18-8	ZTAM6FX14F-188
M6 x 0.75	1/2	—	—	3/8-16	9/16	5/8	1	18-8	ZTAM6FX38C-188
M6 x 0.75	1/2	—	—	3/8-16	9/16	5/8	1	316	ZTAM6FX38C-316

## Male-Female Thread Adapters

Metric Male Thread Size



Male Thread A Side	Male Thd Lth A Side	Male Thread B Side	Male Thd Lth B Side	Female Thread B Side	Female Thd Lth B Side	Hex A/F	Hex Length	Material	Part Number
M6 x 0.75	1/2	—	—	3/8-32	9/16	5/8	1	18-8	ZTAM6FX38EF-188
M6 x 0.75	1/2	—	—	3/8-24	9/16	5/8	1	18-8	ZTAM6FX38F-188
M6 x 0.75	1/2	—	—	5/16-18	15/32	1/2	1	18-8	ZTAM6FX51C-188
M6 x 0.75	1/2	—	—	5/16-18	15/32	1/2	1	316	ZTAM6FX51C-316
M6 x 0.75	1/2	—	—	5/16-32	15/32	1/2	1	18-8	ZTAM6FX51EF-188
M6 x 0.75	1/2	—	—	5/16-24	15/32	1/2	1	18-8	ZTAM6FX51F-188
M6 x 0.75	1/2	—	—	8-32	7/16	3/8	3/4	18-8	ZTAM6FX8C-188
M6 x 0.75	12.7mm	—	—	M5 x 0.8	9.5mm	13mm	19.1mm	316	ZTAM6FXM5C-316
M6 x 0.75	12.7mm	—	—	M5 x 0.5	9.5mm	13mm	19.1mm	18-8	ZTAM6FXM5F-188
M6 x 0.75	12.7mm	—	—	M6 x 1	9.5mm	14mm	19.1mm	18-8	ZTAM6FXM6C-188
M6 x 0.75	12.7mm	—	—	M6 x 1	9.5mm	14mm	19.1mm	316	ZTAM6FXM6C-316
M6 x 0.75	12.7mm	—	—	M6 x 1	9.5mm	14mm	19.1mm	Alum	ZTAM6FXM6C-AL
M6 x 0.75	12.7mm	—	—	M8 x 1.25	9.5mm	14mm	19.1mm	316	ZTAM6FXM8C-316
M6 x 0.75	12.7mm	—	—	M8 x 1.25	9.5mm	14mm	19.1mm	Alum	ZTAM6FXM8C-AL
M6 x 0.75	12.7mm	—	—	M8 x 1	9.5mm	14mm	19.1mm	18-8	ZTAM6FXM8F-188
M6 x 1	12.7mm	M5 x 0.5	9.5mm	—	—	9.5mm	4.8mm	18-8	ZTAEM6CXM5F-188
M6 x 1	12.7mm	M8 x 1.25	12.7mm	—	—	12.7mm	4.8mm	316	ZTAEM6CXM8C-316
M6 x 1	12.7mm	M8 x 1	12.7mm	—	—	12.7mm	4.8mm	18-8	ZTAEM6CXM8F-188
M6 x 1	12.7mm	M8 x 1	12.7mm	—	—	12.7mm	4.8mm	316	ZTAEM6CXM8F-316
M6 x 1	12.7mm	M8 x 1	12.7mm	—	—	12.7mm	4.8mm	Alum	ZTAEM6CXM8F-AL
M6 x 1	1/2	—	—	10-24	7/16	3/8	3/4	316	ZTAM6CX10C-316
M6 x 1	1/2	—	—	10-32	7/16	3/8	3/4	316	ZTAM6CX10F-316
M6 x 1	1/2	—	—	1/2-13	3/4	3/4	1-1/2	18-8	ZTAM6CX12C-188
M6 x 1	1/2	—	—	1/2-13	3/4	3/4	1-1/2	316	ZTAM6CX12C-316
M6 x 1	1/2	—	—	1/2-13	3/4	3/4	1-1/2	Alum	ZTAM6CX12C-AL
M6 x 1	1/2	—	—	1/2-28	3/4	3/4	1-1/2	18-8	ZTAM6CX12EF-188
M6 x 1	1/2	—	—	1/2-28	3/4	3/4	1-1/2	316	ZTAM6CX12EF-316
M6 x 1	1/2	—	—	1/2-20	3/4	3/4	1-1/2	18-8	ZTAM6CX12F-188
M6 x 1	1/2	—	—	1/2-20	3/4	3/4	1-1/2	316	ZTAM6CX12F-316
M6 x 1	1/2	—	—	1/2-20	3/4	3/4	1-1/2	Alum	ZTAM6CX12F-AL
M6 x 1	1/2	—	—	1/4-20	5/8	1/2	1	316	ZTAM6CX14C-316
M6 x 1	1/2	—	—	1/4-32	5/8	1/2	1	18-8	ZTAM6CX14EF-188
M6 x 1	1/2	—	—	1/4-28	5/8	1/2	1	18-8	ZTAM6CX14F-188
M6 x 1	1/2	—	—	1/4-28	5/8	1/2	1	316	ZTAM6CX14F-316
M6 x 1	1/2	—	—	3/8-16	9/16	5/8	1	18-8	ZTAM6CX38C-188
M6 x 1	1/2	—	—	3/8-16	9/16	5/8	1	316	ZTAM6CX38C-316
M6 x 1	1/2	—	—	3/8-16	9/16	5/8	1	Alum	ZTAM6CX38C-AL
M6 x 1	1/2	—	—	3/8-32	9/16	5/8	1	18-8	ZTAM6CX38EF-188
M6 x 1	1/2	—	—	3/8-24	9/16	5/8	1	18-8	ZTAM6CX38F-188
M6 x 1	1/2	—	—	3/8-24	9/16	5/8	1	316	ZTAM6CX38F-316

## Male-Female Thread Adapters

Metric Male Thread Size



Male Thread A Side	Male Thd Lth A Side	Male Thread B Side	Male Thd Lth B Side	Female Thread B Side	Female Thd Lth B Side	Hex A/F	Hex Length	Material	Part Number
M6 x 1	1/2	—	—	3/8-24	9/16	5/8	1	Alum	ZTAM6CX38F-AL
M6 x 1	1/2	—	—	5/16-18	15/32	1/2	1	316	ZTAM6CX51C-316
M6 x 1	1/2	—	—	5/16-32	15/32	1/2	1	18-8	ZTAM6CX51EF-188
M6 x 1	1/2	—	—	5/16-24	15/32	1/2	1	18-8	ZTAM6CX51F-188
M6 x 1	1/2	—	—	5/16-24	15/32	1/2	1	316	ZTAM6CX51F-316
M6 x 1	1/2	—	—	8-32	7/16	3/8	3/4	316	ZTAM6CX8C-316
M6 x 1	1/2	—	—	8-36	7/16	3/8	3/4	18-8	ZTAM6CX8F-188
M6 x 1	12.7mm	—	—	M5 x 0.8	9.5mm	13mm	19.1mm	316	ZTAM6CXM5C-316
M6 x 1	12.7mm	—	—	M5 x 0.5	9.5mm	13mm	19.1mm	18-8	ZTAM6CXM5F-188
M6 x 1	12.7mm	—	—	M6 x 0.75	9.5mm	14mm	19.1mm	18-8	ZTAM6CXM6F-188
M6 x 1	12.7mm	—	—	M8 x 1.25	9.5mm	14mm	19.1mm	316	ZTAM6CXM8C-316
M6 x 1	12.7mm	—	—	M8 x 1	9.5mm	14mm	19.1mm	18-8	ZTAM6CXM8F-188
M6 x 1	12.7mm	—	—	M8 x 1	9.5mm	14mm	19.1mm	316	ZTAM6CXM8F-316
M6 x 1	12.7mm	—	—	M8 x 1	9.5mm	14mm	19.1mm	Alum	ZTAM6CXM8F-AL
M8 x 1	12.7mm	M10 x 1	16mm	—	—	17.4mm	6.4mm	18-8	ZTAEM8FXM10EF-188
M8 x 1	12.7mm	M10 x 1	16mm	—	—	17.4mm	6.4mm	316	ZTAEM8FXM10EF-316
M8 x 1	12.7mm	M10 x 1.25	16mm	—	—	17.4mm	6.4mm	18-8	ZTAEM8FXM10F-188
M8 x 1	12.7mm	M10 x 1.25	16mm	—	—	17.4mm	6.4mm	316	ZTAEM8FXM10F-316
M8 x 1	12.7mm	M10 x 1.25	16mm	—	—	17.4mm	6.4mm	Alum	ZTAEM8FXM10F-AL
M8 x 1	1/2	—	—	10-24	7/16	1/2	3/4	18-8	ZTAM8FX10C-188
M8 x 1	1/2	—	—	10-32	7/16	1/2	3/4	18-8	ZTAM8FX10F-188
M8 x 1	1/2	—	—	10-32	7/16	1/2	3/4	316	ZTAM8FX10F-316
M8 x 1	1/2	—	—	1/4-20	5/8	1/2	1	18-8	ZTAM8FX14C-188
M8 x 1	1/2	—	—	1/4-20	5/8	1/2	1	316	ZTAM8FX14C-316
M8 x 1	1/2	—	—	1/4-20	5/8	1/2	1	Alum	ZTAM8FX14C-AL
M8 x 1	1/2	—	—	1/4-32	5/8	1/2	1	18-8	ZTAM8FX14EF-188
M8 x 1	1/2	—	—	1/4-28	5/8	1/2	1	18-8	ZTAM8FX14F-188
M8 x 1	1/2	—	—	5/16-18	5/8	5/8	1	18-8	ZTAM8FX51C-188
M8 x 1	1/2	—	—	5/16-18	5/8	5/8	1	316	ZTAM8FX51C-316
M8 x 1	1/2	—	—	5/16-18	5/8	5/8	1	Alum	ZTAM8FX51C-AL
M8 x 1	1/2	—	—	5/16-32	5/8	1/2	1	18-8	ZTAM8FX51EF-188
M8 x 1	1/2	—	—	5/16-24	5/8	1/2	1	18-8	ZTAM8FX51F-188
M8 x 1	12.7mm	—	—	M10 x 1.5	14.3mm	16mm	25.4mm	18-8	ZTAM8FXM10C-188
M8 x 1	12.7mm	—	—	M10 x 1.5	14.3mm	16mm	25.4mm	316	ZTAM8FXM10C-316
M8 x 1	12.7mm	—	—	M10 x 1.5	14.3mm	16mm	25.4mm	Alum	ZTAM8FXM10C-AL
M8 x 1	12.7mm	—	—	M10 x 1	17.4mm	16mm	25.4mm	18-8	ZTAM8FXM10EF-188
M8 x 1	12.7mm	—	—	M10 x 1	17.4mm	16mm	25.4mm	316	ZTAM8FXM10EF-316
M8 x 1	12.7mm	—	—	M10 x 1.25	14.3mm	16mm	25.4mm	18-8	ZTAM8FXM10F-188
M8 x 1	12.7mm	—	—	M10 x 1.25	14.3mm	16mm	25.4mm	316	ZTAM8FXM10F-316
M8 x 1	12.7mm	—	—	M6 x 1	11.1mm	13mm	19.1mm	18-8	ZTAM8FXM6C-188

## Male-Female Thread Adapters

Metric Male Thread Size



Male Thread A Side	Male Thd Lth A Side	Male Thread B Side	Male Thd Lth B Side	Female Thread B Side	Female Thd Lth B Side	Hex A/F	Hex Length	Material	Part Number
M8 x 1	12.7mm	—	—	M6 x 1	11.1mm	13mm	19.1mm	316	ZTAM8FXM6C-316
M8 x 1	12.7mm	—	—	M6 x 0.75	11.1mm	13mm	19.1mm	18-8	ZTAM8FXM6F-188
M8 x 1	12.7mm	—	—	M8 x 1.25	9.5mm	14mm	19.1mm	316	ZTAM8FXM8C-316
M8 x 1	12.7mm	—	—	M8 x 1.25	9.5mm	14mm	19.1mm	Alum	ZTAM8FXM8C-AL
M8 x 1	5/8	—	—	1/2-13	11/16	3/4	1-1/2	18-8	ZTAM8FX12C-188
M8 x 1	5/8	—	—	1/2-13	11/16	3/4	1-1/2	316	ZTAM8FX12C-316
M8 x 1	5/8	—	—	1/2-13	11/16	3/4	1-1/2	Alum	ZTAM8FX12C-AL
M8 x 1	5/8	—	—	1/2-28	11/16	3/4	1-1/2	18-8	ZTAM8FX12EF-188
M8 x 1	5/8	—	—	1/2-20	11/16	3/4	1-1/2	18-8	ZTAM8FX12F-188
M8 x 1	5/8	—	—	1/2-20	11/16	3/4	1-1/2	316	ZTAM8FX12F-316
M8 x 1	5/8	—	—	3/8-16	9/16	1/2	1	18-8	ZTAM8FX38C-188
M8 x 1	5/8	—	—	3/8-16	9/16	1/2	1	316	ZTAM8FX38C-316
M8 x 1	5/8	—	—	3/8-16	9/16	1/2	1	Alum	ZTAM8FX38C-AL
M8 x 1	5/8	—	—	3/8-32	9/16	1/2	1	18-8	ZTAM8FX38EF-188
M8 x 1	5/8	—	—	3/8-24	9/16	1/2	1	18-8	ZTAM8FX38F-188
M8 x 1.25	12.7mm	M10 x 1.5	16mm	—	—	17.4mm	6.4mm	316	ZTAEM8CXM10C-316
M8 x 1.25	12.7mm	M10 x 1.5	16mm	—	—	17.4mm	6.4mm	Alum	ZTAEM8CXM10C-AL
M8 x 1.25	12.7mm	M10 x 1	16mm	—	—	17.4mm	6.4mm	316	ZTAEM8CXM10EF-316
M8 x 1.25	12.7mm	M10 x 1	16mm	—	—	17.4mm	6.4mm	Alum	ZTAEM8CXM10EF-AL
M8 x 1.25	12.7mm	M8 x 1	12.7mm	—	—	12.7mm	4.8mm	316	ZTAEM8CXM8F-316
M8 x 1.25	12.7mm	M8 x 1	12.7mm	—	—	12.7mm	4.8mm	Alum	ZTAEM8CXM8F-AL
M8 x 1.25	1/2	—	—	10-24	7/16	1/2	3/4	18-8	ZTAM8CX10C-188
M8 x 1.25	1/2	—	—	10-24	7/16	1/2	3/4	316	ZTAM8CX10C-316
M8 x 1.25	1/2	—	—	10-32	7/16	1/2	3/4	316	ZTAM8CX10F-316
M8 x 1.25	1/2	—	—	1/4-20	5/8	1/2	1	316	ZTAM8CX14C-316
M8 x 1.25	1/2	—	—	1/4-32	5/8	1/2	1	18-8	ZTAM8CX14EF-188
M8 x 1.25	1/2	—	—	1/4-28	5/8	1/2	1	18-8	ZTAM8CX14F-188
M8 x 1.25	1/2	—	—	1/4-28	5/8	1/2	1	316	ZTAM8CX14F-316
M8 x 1.25	1/2	—	—	5/16-18	5/8	5/8	1	316	ZTAM8CX51C-316
M8 x 1.25	1/2	—	—	5/16-32	5/8	5/8	1	18-8	ZTAM8CX51EF-188
M8 x 1.25	1/2	—	—	5/16-24	5/8	5/8	1	18-8	ZTAM8CX51F-188
M8 x 1.25	1/2	—	—	5/16-24	5/8	5/8	1	316	ZTAM8CX51F-316
M8 x 1.25	12.7mm	—	—	M10 x 1.5	14.3mm	16mm	25.4mm	316	ZTAM8CXM10C-316
M8 x 1.25	12.7mm	—	—	M10 x 1.5	14.3mm	16mm	25.4mm	Alum	ZTAM8CXM10C-AL
M8 x 1.25	12.7mm	—	—	M10 x 1	17.4mm	16mm	25.4mm	316	ZTAM8CXM10EF-316
M8 x 1.25	12.7mm	—	—	M10 x 1.25	14.3mm	16mm	25.4mm	18-8	ZTAM8CXM10F-188
M8 x 1.25	12.7mm	—	—	M10 x 1.25	14.3mm	16mm	25.4mm	316	ZTAM8CXM10F-316
M8 x 1.25	12.7mm	—	—	M10 x 1.25	14.3mm	16mm	25.4mm	Alum	ZTAM8CXM10F-AL
M8 x 1.25	12.7mm	—	—	M6 x 1	11.1mm	13mm	19.1mm	316	ZTAM8CXM6C-316
M8 x 1.25	12.7mm	—	—	M6 x 0.75	11.1mm	13mm	19.1mm	18-8	ZTAM8CXM6F-188

## Male-Female Thread Adapters

Metric Male Thread Size



Male Thread A Side	Male Thd Lth A Side	Male Thread B Side	Male Thd Lth B Side	Female Thread B Side	Female Thd Lth B Side	Hex A/F	Hex Length	Material	Part Number
M8 x 1.25	12.7mm	—	—	M8 x 1	11.1mm	14mm	19.1mm	316	ZTAM8CXM8F-316
M8 x 1.25	12.7mm	—	—	M8 x 1	11.1mm	14mm	19.1mm	Alum	ZTAM8CXM8F-AL
M8 x 1.25	5/8	—	—	1/2-13	11/16	3/4	1-1/2	18-8	ZTAM8CX12C-188
M8 x 1.25	5/8	—	—	1/2-13	11/16	3/4	1-1/2	316	ZTAM8CX12C-316
M8 x 1.25	5/8	—	—	1/2-13	11/16	3/4	1-1/2	Alum	ZTAM8CX12C-AL
M8 x 1.25	5/8	—	—	1/2-28	11/16	3/4	1-1/2	18-8	ZTAM8CX12EF-188
M8 x 1.25	5/8	—	—	1/2-28	11/16	3/4	1-1/2	316	ZTAM8CX12EF-316
M8 x 1.25	5/8	—	—	1/2-20	11/16	3/4	1-1/2	18-8	ZTAM8CX12F-188
M8 x 1.25	5/8	—	—	1/2-20	11/16	3/4	1-1/2	316	ZTAM8CX12F-316
M8 x 1.25	5/8	—	—	1/2-20	11/16	3/4	1-1/2	Alum	ZTAM8CX12F-AL
M8 x 1.25	5/8	—	—	3/8-16	9/16	5/8	1	18-8	ZTAM8CX38C-188
M8 x 1.25	5/8	—	—	3/8-16	9/16	5/8	1	316	ZTAM8CX38C-316
M8 x 1.25	5/8	—	—	3/8-16	9/16	5/8	1	Alum	ZTAM8CX38C-AL
M8 x 1.25	5/8	—	—	3/8-32	9/16	5/8	1	18-8	ZTAM8CX38EF-188
M8 x 1.25	5/8	—	—	3/8-24	9/16	5/8	1	18-8	ZTAM8CX38F-188
M8 x 1.25	5/8	—	—	3/8-24	9/16	5/8	1	316	ZTAM8CX38F-316
M8 x 1.25	5/8	—	—	3/8-24	9/16	5/8	1	Alum	ZTAM8CX38F-AL
M10 x 1	5/8	—	—	1/4-20	3/8	5/8	1	18-8	ZTAM10EFX14C-188
M10 x 1	5/8	—	—	1/4-20	3/8	5/8	1	316	ZTAM10EFX14C-316
M10 x 1	5/8	—	—	1/4-20	3/8	5/8	1	Alum	ZTAM10EFX14C-AL
M10 x 1	5/8	—	—	1/4-32	3/8	5/8	1	18-8	ZTAM10EFX14EF-188
M10 x 1	5/8	—	—	1/4-28	3/8	5/8	1	18-8	ZTAM10EFX14F-188
M10 x 1	5/8	—	—	3/8-16	7/8	5/8	1-1/2	18-8	ZTAM10EFX38C-188
M10 x 1	5/8	—	—	3/8-16	7/8	5/8	1-1/2	316	ZTAM10EFX38C-316
M10 x 1	5/8	—	—	3/8-16	7/8	5/8	1-1/2	Alum	ZTAM10EFX38C-AL
M10 x 1	5/8	—	—	3/8-32	7/8	5/8	1-1/2	18-8	ZTAM10EFX38EF-188
M10 x 1	5/8	—	—	3/8-24	7/8	5/8	1-1/2	18-8	ZTAM10EFX38F-188
M10 x 1	5/8	—	—	3/8-24	7/8	5/8	1-1/2	316	ZTAM10EFX38F-316
M10 x 1	5/8	—	—	5/16-18	5/8	5/8	1	18-8	ZTAM10EFX51C-188
M10 x 1	5/8	—	—	5/16-18	5/8	5/8	1	316	ZTAM10EFX51C-316
M10 x 1	5/8	—	—	5/16-18	5/8	5/8	1	Alum	ZTAM10EFX51C-AL
M10 x 1	5/8	—	—	5/16-32	5/8	5/8	1	18-8	ZTAM10EFX51EF-188
M10 x 1	5/8	—	—	5/16-24	5/8	5/8	1	18-8	ZTAM10EFX51F-188
M10 x 1	16mm	—	—	M10 x 1.5	14.3mm	16mm	25.4mm	316	ZTAM10EFXM10C-316
M10 x 1	16mm	—	—	M10 x 1.5	14.3mm	16mm	25.4mm	Alum	ZTAM10EFXM10C-AL
M10 x 1	16mm	—	—	M10 x 1.25	15.9mm	16mm	25.4mm	316	ZTAM10EFXM10F-316
M10 x 1	16mm	—	—	M12 x 1.75	22.2mm	22mm	38.1mm	18-8	ZTAM10EFXM12C-188
M10 x 1	16mm	—	—	M12 x 1.75	22.2mm	22mm	38.1mm	316	ZTAM10EFXM12C-316
M10 x 1	16mm	—	—	M12 x 1.75	22.2mm	22mm	38.1mm	Alum	ZTAM10EFXM12C-AL
M10 x 1	16mm	—	—	M12 x 1.25	22.2mm	22mm	38.1mm	18-8	ZTAM10EFXM12EF-188

## Male-Female Thread Adapters

Metric Male Thread Size



Male Thread A Side	Male Thd Lth A Side	Male Thread B Side	Male Thd Lth B Side	Female Thread B Side	Female Thd Lth B Side	Hex A/F	Hex Length	Material	Part Number
M10 x 1	16mm	—	—	M12 x 1.25	22.2mm	22mm	38.1mm	316	ZTAM10EFXM12EF-316
M10 x 1	16mm	—	—	M12 x 1.25	22.2mm	22mm	38.1mm	Alum	ZTAM10EFXM12EF-AL
M10 x 1	16mm	—	—	M12 x 1.5	22.2mm	22mm	38.1mm	18-8	ZTAM10EFXM12F-188
M10 x 1	16mm	—	—	M12 x 1.5	22.2mm	22mm	38.1mm	316	ZTAM10EFXM12F-316
M10 x 1	16mm	—	—	M8 x 1.25	9.5mm	14mm	19.1mm	18-8	ZTAM10EFXM8C-188
M10 x 1	16mm	—	—	M8 x 1.25	9.5mm	14mm	19.1mm	316	ZTAM10EFXM8C-316
M10 x 1	16mm	—	—	M8 x 1.25	9.5mm	14mm	19.1mm	Alum	ZTAM10EFXM8C-AL
M10 x 1	16mm	—	—	M8 x 1	9.5mm	14mm	19.1mm	18-8	ZTAM10EFXM8F-188
M10 x 1	3/4	—	—	1/2-13	3/4	3/4	1-1/2	18-8	ZTAM10EFX12C-188
M10 x 1	3/4	—	—	1/2-13	3/4	3/4	1-1/2	316	ZTAM10EFX12C-316
M10 x 1	3/4	—	—	1/2-13	3/4	3/4	1-1/2	Alum	ZTAM10EFX12C-AL
M10 x 1	3/4	—	—	1/2-28	3/4	3/4	1-1/2	18-8	ZTAM10EFX12EF-188
M10 x 1	3/4	—	—	1/2-20	3/4	3/4	1-1/2	18-8	ZTAM10EFX12F-188
M10 x 1	3/4	—	—	1/2-20	3/4	3/4	1-1/2	316	ZTAM10EFX12F-316
M10 x 1.25	5/8	—	—	1/4-20	3/8	5/8	1	18-8	ZTAM10FX14C-188
M10 x 1.25	5/8	—	—	1/4-20	3/8	5/8	1	316	ZTAM10FX14C-316
M10 x 1.25	5/8	—	—	1/4-20	3/8	5/8	1	Alum	ZTAM10FX14C-AL
M10 x 1.25	5/8	—	—	1/4-32	3/8	5/8	1	18-8	ZTAM10FX14EF-188
M10 x 1.25	5/8	—	—	1/4-28	3/8	5/8	1	18-8	ZTAM10FX14F-188
M10 x 1.25	5/8	—	—	3/8-16	7/8	5/8	1-1/2	18-8	ZTAM10FX38C-188
M10 x 1.25	5/8	—	—	3/8-16	7/8	5/8	1-1/2	316	ZTAM10FX38C-316
M10 x 1.25	5/8	—	—	3/8-16	7/8	5/8	1-1/2	Alum	ZTAM10FX38C-AL
M10 x 1.25	5/8	—	—	3/8-32	7/8	5/8	1-1/2	18-8	ZTAM10FX38EF-188
M10 x 1.25	5/8	—	—	3/8-32	7/8	5/8	1-1/2	316	ZTAM10FX38EF-316
M10 x 1.25	5/8	—	—	3/8-24	7/8	5/8	1-1/2	18-8	ZTAM10FX38F-188
M10 x 1.25	5/8	—	—	3/8-24	7/8	5/8	1-1/2	316	ZTAM10FX38F-316
M10 x 1.25	5/8	—	—	5/16-18	5/8	5/8	1	18-8	ZTAM10FX51C-188
M10 x 1.25	5/8	—	—	5/16-18	5/8	5/8	1	316	ZTAM10FX51C-316
M10 x 1.25	5/8	—	—	5/16-18	5/8	5/8	1	Alum	ZTAM10FX51C-AL
M10 x 1.25	5/8	—	—	5/16-32	5/8	5/8	1	18-8	ZTAM10FX51EF-188
M10 x 1.25	5/8	—	—	5/16-24	5/8	5/8	1	18-8	ZTAM10FX51F-188
M10 x 1.25	16mm	M10 x 1	16mm	—	—	17.4mm	6.4mm	18-8	ZTAEM10FXM10EF-188
M10 x 1.25	16mm	M10 x 1	16mm	—	—	17.4mm	6.4mm	316	ZTAEM10FXM10EF-316
M10 x 1.25	16mm	M10 x 1	16mm	—	—	17.4mm	6.4mm	Alum	ZTAEM10FXM10EF-AL
M10 x 1.25	16mm	M12 x 1.25	19mm	—	—	19mm	9.5mm	18-8	ZTAEM10FXM12EF-188
M10 x 1.25	16mm	M12 x 1.25	19mm	—	—	19mm	9.5mm	316	ZTAEM10FXM12EF-316
M10 x 1.25	16mm	M12 x 1.25	19mm	—	—	19mm	9.5mm	Alum	ZTAEM10FXM12EF-AL
M10 x 1.25	16mm	—	—	M10 x 1.5	14.3mm	16mm	25.4mm	316	ZTAM10FXM10C-316
M10 x 1.25	16mm	—	—	M10 x 1.5	14.3mm	16mm	25.4mm	Alum	ZTAM10FXM10C-AL
M10 x 1.25	16mm	—	—	M10 x 1	14.3mm	16mm	25.4mm	18-8	ZTAM10FXM10EF-188



## Male-Female Thread Adapters

Metric Male Thread Size



Male Thread A Side	Male Thd Lth A Side	Male Thread B Side	Male Thd Lth B Side	Female Thread B Side	Female Thd Lth B Side	Hex A/F	Hex Length	Material	Part Number
M10 x 1.25	16mm	—	—	M12 x 1.75	22.2mm	22mm	38.1mm	18-8	ZTAM10FXM12C-188
M10 x 1.25	16mm	—	—	M12 x 1.75	22.2mm	22mm	38.1mm	316	ZTAM10FXM12C-316
M10 x 1.25	16mm	—	—	M12 x 1.75	22.2mm	22mm	38.1mm	Alum	ZTAM10FXM12C-AL
M10 x 1.25	16mm	—	—	M12 x 1.25	22.2mm	22mm	38.1mm	18-8	ZTAM10FXM12EF-188
M10 x 1.25	16mm	—	—	M12 x 1.25	22.2mm	22mm	38.1mm	316	ZTAM10FXM12EF-316
M10 x 1.25	16mm	—	—	M12 x 1.25	22.2mm	22mm	38.1mm	Alum	ZTAM10FXM12EF-AL
M10 x 1.25	16mm	—	—	M12 x 1.5	22.2mm	22mm	38.1mm	18-8	ZTAM10FXM12F-188
M10 x 1.25	16mm	—	—	M12 x 1.5	22.2mm	22mm	38.1mm	316	ZTAM10FXM12F-316
M10 x 1.25	16mm	—	—	M12 x 1.5	22.2mm	22mm	38.1mm	Alum	ZTAM10FXM12F-AL
M10 x 1.25	16mm	—	—	M8 x 1.25	9.5mm	14mm	19.1mm	18-8	ZTAM10FXM8C-188
M10 x 1.25	16mm	—	—	M8 x 1.25	9.5mm	14mm	19.1mm	316	ZTAM10FXM8C-316
M10 x 1.25	16mm	—	—	M8 x 1.25	9.5mm	14mm	19.1mm	Alum	ZTAM10FXM8C-AL
M10 x 1.25	16mm	—	—	M8 x 1	9.5mm	14mm	19.1mm	18-8	ZTAM10FXM8F-188
M10 x 1.25	16mm	—	—	M8 x 1	9.5mm	14mm	19.1mm	316	ZTAM10FXM8F-316
M10 x 1.25	3/4	—	—	1/2-13	3/4	3/4	1-1/2	18-8	ZTAM10FX12C-188
M10 x 1.25	3/4	—	—	1/2-13	3/4	3/4	1-1/2	316	ZTAM10FX12C-316
M10 x 1.25	3/4	—	—	1/2-13	3/4	3/4	1-1/2	Alum	ZTAM10FX12C-AL
M10 x 1.25	3/4	—	—	1/2-28	3/4	3/4	1-1/2	18-8	ZTAM10FX12EF-188
M10 x 1.25	3/4	—	—	1/2-28	3/4	3/4	1-1/2	316	ZTAM10FX12EF-316
M10 x 1.25	3/4	—	—	1/2-20	3/4	3/4	1-1/2	18-8	ZTAM10FX12F-188
M10 x 1.25	3/4	—	—	1/2-20	3/4	3/4	1-1/2	316	ZTAM10FX12F-316
M10 x 1.5	5/8	—	—	1/4-20	3/8	5/8	1	18-8	ZTAM10CX14C-188
M10 x 1.5	5/8	—	—	1/4-20	3/8	5/8	1	316	ZTAM10CX14C-316
M10 x 1.5	5/8	—	—	1/4-20	3/8	5/8	1	Alum	ZTAM10CX14C-AL
M10 x 1.5	5/8	—	—	1/4-32	3/8	5/8	1	18-8	ZTAM10CX14EF-188
M10 x 1.5	5/8	—	—	1/4-28	3/8	5/8	1	18-8	ZTAM10CX14F-188
M10 x 1.5	5/8	—	—	3/8-16	7/8	5/8	1-1/2	316	ZTAM10CX38C-316
M10 x 1.5	5/8	—	—	3/8-16	7/8	5/8	1-1/2	Alum	ZTAM10CX38C-AL
M10 x 1.5	5/8	—	—	3/8-32	7/8	5/8	1-1/2	18-8	ZTAM10CX38EF-188
M10 x 1.5	5/8	—	—	3/8-32	7/8	5/8	1-1/2	316	ZTAM10CX38EF-316
M10 x 1.5	5/8	—	—	3/8-24	7/8	5/8	1-1/2	18-8	ZTAM10CX38F-188
M10 x 1.5	5/8	—	—	3/8-24	7/8	5/8	1-1/2	316	ZTAM10CX38F-316
M10 x 1.5	5/8	—	—	5/16-18	5/8	5/8	1	316	ZTAM10CX51C-316
M10 x 1.5	5/8	—	—	5/16-18	5/8	5/8	1	Alum	ZTAM10CX51C-AL
M10 x 1.5	5/8	—	—	5/16-32	5/8	5/8	1	18-8	ZTAM10CX51EF-188
M10 x 1.5	5/8	—	—	5/16-24	5/8	5/8	1	18-8	ZTAM10CX51F-188
M10 x 1.5	5/8	—	—	5/16-24	5/8	5/8	1	316	ZTAM10CX51F-316
M10 x 1.5	16mm	M10 x 1	16mm	—	—	17.4mm	6.4mm	316	ZTAEM10CXM10EF-316
M10 x 1.5	16mm	M10 x 1	16mm	—	—	17.4mm	6.4mm	Alum	ZTAEM10CXM10EF-AL
M10 x 1.5	16mm	M12 x 1.25	19mm	—	—	19mm	9.5mm	18-8	ZTAEM10CXM12EF-188

## Male-Female Thread Adapters

Metric Male Thread Size



Male Thread A Side	Male Thd Lth A Side	Male Thread B Side	Male Thd Lth B Side	Female Thread B Side	Female Thd Lth B Side	Hex A/F	Hex Length	Material	Part Number
M10 x 1.5	16mm	M12 x 1.25	19mm	—	—	19mm	9.5mm	316	ZTAEM10CXM12EF-316
M10 x 1.5	16mm	M12 x 1.25	19mm	—	—	19mm	9.5mm	Alum	ZTAEM10CXM12EF-AL
M10 x 1.5	16mm	M12 x 1.5	19mm	—	—	19mm	9.5mm	18-8	ZTAEM10CXM12F-188
M10 x 1.5	16mm	M12 x 1.5	19mm	—	—	19mm	9.5mm	316	ZTAEM10CXM12F-316
M10 x 1.5	16mm	M12 x 1.5	19mm	—	—	19mm	9.5mm	Alum	ZTAEM10CXM12F-AL
M10 x 1.5	16mm	M8 x 1	12.7mm	—	—	17.4mm	6.4mm	18-8	ZTAEM10CXM8F-188
M10 x 1.5	16mm	M8 x 1	12.7mm	—	—	17.4mm	6.4mm	316	ZTAEM10CXM8F-316
M10 x 1.5	16mm	M8 x 1	12.7mm	—	—	17.4mm	6.4mm	Alum	ZTAEM10CXM8F-AL
M10 x 1.5	16mm	—	—	M10 x 1	17.4mm	16mm	25.4mm	316	ZTAM10CXM10EF-316
M10 x 1.5	16mm	—	—	M10 x 1.25	15.9mm	16mm	25.4mm	316	ZTAM10CXM10F-316
M10 x 1.5	16mm	—	—	M10 x 1.25	15.9mm	16mm	25.4mm	Alum	ZTAM10CXM10F-AL
M10 x 1.5	16mm	—	—	M12 x 1.75	22.2mm	22mm	38.1mm	316	ZTAM10CXM12C-316
M10 x 1.5	16mm	—	—	M12 x 1.75	22.2mm	22mm	38.1mm	Alum	ZTAM10CXM12C-AL
M10 x 1.5	16mm	—	—	M12 x 1.25	22.2mm	22mm	38.1mm	18-8	ZTAM10CXM12EF-188
M10 x 1.5	16mm	—	—	M12 x 1.25	22.2mm	22mm	38.1mm	316	ZTAM10CXM12EF-316
M10 x 1.5	16mm	—	—	M12 x 1.25	22.2mm	22mm	38.1mm	Alum	ZTAM10CXM12EF-AL
M10 x 1.5	16mm	—	—	M12 x 1.5	22.2mm	22mm	38.1mm	18-8	ZTAM10CXM12F-188
M10 x 1.5	16mm	—	—	M12 x 1.5	22.2mm	22mm	38.1mm	316	ZTAM10CXM12F-316
M10 x 1.5	16mm	—	—	M12 x 1.5	22.2mm	22mm	38.1mm	Alum	ZTAM10CXM12F-AL
M10 x 1.5	16mm	—	—	M8 x 1.25	9.5mm	14mm	19.1mm	316	ZTAM10CXM8C-316
M10 x 1.5	16mm	—	—	M8 x 1.25	9.5mm	14mm	19.1mm	Alum	ZTAM10CXM8C-AL
M10 x 1.5	16mm	—	—	M8 x 1	9.5mm	14mm	19.1mm	18-8	ZTAM10CXM8F-188
M10 x 1.5	16mm	—	—	M8 x 1	9.5mm	14mm	19.1mm	316	ZTAM10CXM8F-316
M10 x 1.5	3/4	—	—	1/2-13	3/4	3/4	1-1/2	18-8	ZTAM10CX12C-188
M10 x 1.5	3/4	—	—	1/2-13	3/4	3/4	1-1/2	316	ZTAM10CX12C-316
M10 x 1.5	3/4	—	—	1/2-13	3/4	3/4	1-1/2	Alum	ZTAM10CX12C-AL
M10 x 1.5	3/4	—	—	1/2-28	3/4	3/4	1-1/2	18-8	ZTAM10CX12EF-188
M10 x 1.5	3/4	—	—	1/2-28	3/4	3/4	1-1/2	316	ZTAM10CX12EF-316
M10 x 1.5	3/4	—	—	1/2-20	3/4	3/4	1-1/2	18-8	ZTAM10CX12F-188
M10 x 1.5	3/4	—	—	1/2-20	3/4	3/4	1-1/2	316	ZTAM10CX12F-316
M10 x 1.5	3/4	—	—	1/2-20	3/4	3/4	1-1/2	Alum	ZTAM10CX12F-AL
M12 x 1.25	18mm	—	—	M10 x 1.5	14.3mm	16mm	38.1mm	18-8	ZTAM12EFXM10C-188
M12 x 1.25	18mm	—	—	M10 x 1.5	14.3mm	16mm	38.1mm	316	ZTAM12EFXM10C-316
M12 x 1.25	18mm	—	—	M10 x 1.5	14.3mm	16mm	38.1mm	Alum	ZTAM12EFXM10C-AL
M12 x 1.25	18mm	—	—	M10 x 1	14.3mm	16mm	38.1mm	18-8	ZTAM12EFXM10EF-188
M12 x 1.25	18mm	—	—	M10 x 1	14.3mm	16mm	38.1mm	316	ZTAM12EFXM10EF-316
M12 x 1.25	18mm	—	—	M10 x 1	14.3mm	16mm	38.1mm	Alum	ZTAM12EFXM10EF-AL
M12 x 1.25	18mm	—	—	M10 x 1.25	14.3mm	16mm	38.1mm	18-8	ZTAM12EFXM10F-188
M12 x 1.25	18mm	—	—	M10 x 1.25	14.3mm	16mm	38.1mm	316	ZTAM12EFXM10F-316
M12 x 1.25	18mm	—	—	M12 x 1.75	22.2mm	22mm	38.1mm	316	ZTAM12EFXM12C-316

## Male-Female Thread Adapters

Metric Male Thread Size



Male Thread A Side	Male Thd Lth A Side	Male Thread B Side	Male Thd Lth B Side	Female Thread B Side	Female Thd Lth B Side	Hex A/F	Hex Length	Material	Part Number
M12 x 1.25	18mm	—	—	M12 x 1.75	22.2mm	22mm	38.1mm	Alum	ZTAM12EFXM12C-AL
M12 x 1.25	18mm	—	—	M12 x 1.5	22.2mm	22mm	38.1mm	316	ZTAM12EFXM12F-316
M12 x 1.25	18mm	—	—	M12 x 1.5	22.2mm	22mm	38.1mm	Alum	ZTAM12EFXM12F-AL
M12 x 1.25	3/4	—	—	1/2-13	7/8	3/4	1-1/2	18-8	ZTAM12EFX12C-188
M12 x 1.25	3/4	—	—	1/2-13	7/8	3/4	1-1/2	316	ZTAM12EFX12C-316
M12 x 1.25	3/4	—	—	1/2-13	7/8	3/4	1-1/2	Alum	ZTAM12EFX12C-AL
M12 x 1.25	3/4	—	—	1/2-28	7/8	3/4	1-1/2	18-8	ZTAM12EFX12EF-188
M12 x 1.25	3/4	—	—	1/2-28	7/8	3/4	1-1/2	316	ZTAM12EFX12EF-316
M12 x 1.25	3/4	—	—	1/2-20	7/8	3/4	1-1/2	18-8	ZTAM12EFX12F-188
M12 x 1.25	3/4	—	—	1/2-20	7/8	3/4	1-1/2	316	ZTAM12EFX12F-316
M12 x 1.25	3/4	—	—	3/8-16	7/8	3/4	1-1/2	18-8	ZTAM12EFX38C-188
M12 x 1.25	3/4	—	—	3/8-16	7/8	3/4	1-1/2	316	ZTAM12EFX38C-316
M12 x 1.25	3/4	—	—	3/8-16	7/8	3/4	1-1/2	Alum	ZTAM12EFX38C-AL
M12 x 1.25	3/4	—	—	3/8-32	7/8	3/4	1-1/2	18-8	ZTAM12EFX38EF-188
M12 x 1.25	3/4	—	—	3/8-32	7/8	3/4	1-1/2	316	ZTAM12EFX38EF-316
M12 x 1.25	3/4	—	—	3/8-24	7/8	3/4	1-1/2	18-8	ZTAM12EFX38F-188
M12 x 1.25	3/4	—	—	3/8-24	7/8	3/4	1-1/2	316	ZTAM12EFX38F-316
M12 x 1.25	7/8	—	—	1/4-20	3/8	3/4	1-1/2	18-8	ZTAM12EFX14C-188
M12 x 1.25	7/8	—	—	1/4-20	3/8	3/4	1-1/2	316	ZTAM12EFX14C-316
M12 x 1.25	7/8	—	—	1/4-20	3/8	3/4	1-1/2	Alum	ZTAM12EFX14C-AL
M12 x 1.25	7/8	—	—	1/4-32	3/8	3/4	1-1/2	18-8	ZTAM12EFX14EF-188
M12 x 1.25	7/8	—	—	1/4-28	3/8	3/4	1-1/2	18-8	ZTAM12EFX14F-188
M12 x 1.25	7/8	—	—	1/4-28	3/8	3/4	1-1/2	316	ZTAM12EFX14F-316
M12 x 1.25	7/8	—	—	5/16-18	15/32	3/4	1-1/2	18-8	ZTAM12EFX51C-188
M12 x 1.25	7/8	—	—	5/16-18	15/32	3/4	1-1/2	316	ZTAM12EFX51C-316
M12 x 1.25	7/8	—	—	5/16-18	15/32	3/4	1-1/2	Alum	ZTAM12EFX51C-AL
M12 x 1.25	7/8	—	—	5/16-32	15/32	3/4	1-1/2	18-8	ZTAM12EFX51EF-188
M12 x 1.25	7/8	—	—	5/16-24	15/32	3/4	1-1/2	18-8	ZTAM12EFX51F-188
M12 x 1.25	7/8	—	—	5/16-24	15/32	3/4	1-1/2	316	ZTAM12EFX51F-316
M12 x 1.5	18mm	—	—	M10 x 1.5	14.3mm	16mm	38.1mm	18-8	ZTAM12FXM10C-188
M12 x 1.5	18mm	—	—	M10 x 1.5	14.3mm	16mm	38.1mm	316	ZTAM12FXM10C-316
M12 x 1.5	18mm	—	—	M10 x 1.5	14.3mm	16mm	38.1mm	Alum	ZTAM12FXM10C-AL
M12 x 1.5	18mm	—	—	M10 x 1	14.3mm	16mm	38.1mm	18-8	ZTAM12FXM10EF-188
M12 x 1.5	18mm	—	—	M10 x 1	14.3mm	16mm	38.1mm	316	ZTAM12FXM10EF-316
M12 x 1.5	18mm	—	—	M10 x 1.25	14.3mm	16mm	38.1mm	18-8	ZTAM12FXM10F-188
M12 x 1.5	18mm	—	—	M10 x 1.25	14.3mm	16mm	38.1mm	316	ZTAM12FXM10F-316
M12 x 1.5	18mm	—	—	M12 x 1.75	22.2mm	22mm	38.1mm	316	ZTAM12FXM12C-316
M12 x 1.5	18mm	—	—	M12 x 1.75	22.2mm	22mm	38.1mm	Alum	ZTAM12FXM12C-AL
M12 x 1.5	18mm	—	—	M12 x 1.25	22.2mm	22mm	38.1mm	316	ZTAM12FXM12EF-316
M12 x 1.5	18mm	—	—	M12 x 1.25	22.2mm	22mm	38.1mm	Alum	ZTAM12FXM12EF-AL
M12 x 1.5	19mm	M10 x 1	19mm	—	—	19mm	9.5mm	18-8	ZTAEM12FXM10EF-188

## Male-Female Thread Adapters

Metric Male Thread Size



Male Thread A Side	Male Thd Lth A Side	Male Thread B Side	Male Thd Lth B Side	Female Thread B Side	Female Thd Lth B Side	Hex A/F	Hex Length	Material	Part Number
M12 x 1.5	19mm	M10 x 1	19mm	—	—	19mm	9.5mm	316	ZTAEM12FXM10EF-316
M12 x 1.5	19mm	M10 x 1.25	19mm	—	—	19mm	9.5mm	18-8	ZTAEM12FXM10F-188
M12 x 1.5	19mm	M10 x 1.25	19mm	—	—	19mm	9.5mm	316	ZTAEM12FXM10F-316
M12 x 1.5	19mm	M10 x 1.25	19mm	—	—	19mm	9.5mm	Alum	ZTAEM12FXM10F-AL
M12 x 1.5	19mm	M12 x 1.25	19mm	—	—	19mm	9.5mm	18-8	ZTAEM12FXM12EF-188
M12 x 1.5	19mm	M12 x 1.25	19mm	—	—	19mm	9.5mm	316	ZTAEM12FXM12EF-316
M12 x 1.5	19mm	M12 x 1.25	19mm	—	—	19mm	9.5mm	Alum	ZTAEM12FXM12EF-AL
M12 x 1.5	3/4	—	—	1/2-13	7/8	3/4	1-1/2	18-8	ZTAM12FX12C-188
M12 x 1.5	3/4	—	—	1/2-13	7/8	3/4	1-1/2	316	ZTAM12FX12C-316
M12 x 1.5	3/4	—	—	1/2-13	7/8	3/4	1-1/2	Alum	ZTAM12FX12C-AL
M12 x 1.5	3/4	—	—	1/2-28	7/8	3/4	1-1/2	18-8	ZTAM12FX12EF-188
M12 x 1.5	3/4	—	—	1/2-20	7/8	3/4	1-1/2	18-8	ZTAM12FX12F-188
M12 x 1.5	3/4	—	—	1/2-20	7/8	3/4	1-1/2	316	ZTAM12FX12F-316
M12 x 1.5	3/4	—	—	3/8-16	7/8	3/4	1-1/2	18-8	ZTAM12FX38C-188
M12 x 1.5	3/4	—	—	3/8-16	7/8	3/4	1-1/2	316	ZTAM12FX38C-316
M12 x 1.5	3/4	—	—	3/8-16	7/8	3/4	1-1/2	Alum	ZTAM12FX38C-AL
M12 x 1.5	3/4	—	—	3/8-32	7/8	3/4	1-1/2	18-8	ZTAM12FX38EF-188
M12 x 1.5	3/4	—	—	3/8-24	7/8	3/4	1-1/2	18-8	ZTAM12FX38F-188
M12 x 1.5	3/4	—	—	3/8-24	7/8	3/4	1-1/2	316	ZTAM12FX38F-316
M12 x 1.5	7/8	—	—	1/4-20	3/8	3/4	1-1/2	18-8	ZTAM12FX14C-188
M12 x 1.5	7/8	—	—	1/4-20	3/8	3/4	1-1/2	316	ZTAM12FX14C-316
M12 x 1.5	7/8	—	—	1/4-20	3/8	3/4	1-1/2	Alum	ZTAM12FX14C-AL
M12 x 1.5	7/8	—	—	1/4-32	3/8	3/4	1-1/2	18-8	ZTAM12FX14EF-188
M12 x 1.5	7/8	—	—	1/4-28	3/8	3/4	1-1/2	18-8	ZTAM12FX14F-188
M12 x 1.5	7/8	—	—	1/4-28	3/8	3/4	1-1/2	316	ZTAM12FX14F-316
M12 x 1.5	7/8	—	—	5/16-18	15/32	3/4	1-1/2	18-8	ZTAM12FX51C-188
M12 x 1.5	7/8	—	—	5/16-18	15/32	3/4	1-1/2	316	ZTAM12FX51C-316
M12 x 1.5	7/8	—	—	5/16-18	15/32	3/4	1-1/2	Alum	ZTAM12FX51C-AL
M12 x 1.5	7/8	—	—	5/16-32	15/32	3/4	1-1/2	18-8	ZTAM12FX51EF-188
M12 x 1.5	7/8	—	—	5/16-24	15/32	3/4	1-1/2	18-8	ZTAM12FX51F-188
M12 x 1.5	7/8	—	—	5/16-24	15/32	3/4	1-1/2	316	ZTAM12FX51F-316
M12 x 1.75	18mm	—	—	M10 x 1.5	14.3mm	16mm	38.1mm	316	ZTAM12CXM10C-316
M12 x 1.75	18mm	—	—	M10 x 1.5	14.3mm	16mm	38.1mm	Alum	ZTAM12CXM10C-AL
M12 x 1.75	18mm	—	—	M10 x 1	14.3mm	16mm	38.1mm	18-8	ZTAM12CXM10EF-188
M12 x 1.75	18mm	—	—	M10 x 1	14.3mm	16mm	38.1mm	316	ZTAM12CXM10EF-316
M12 x 1.75	18mm	—	—	M10 x 1.25	14.3mm	16mm	38.1mm	18-8	ZTAM12CXM10F-188
M12 x 1.75	18mm	—	—	M10 x 1.25	14.3mm	16mm	38.1mm	316	ZTAM12CXM10F-316
M12 x 1.75	18mm	—	—	M12 x 1.25	22.2mm	22mm	38.1mm	316	ZTAM12CXM12EF-316
M12 x 1.75	18mm	—	—	M12 x 1.25	22.2mm	22mm	38.1mm	Alum	ZTAM12CXM12EF-AL
M12 x 1.75	18mm	—	—	M12 x 1.5	22.2mm	22mm	38.1mm	316	ZTAM12CXM12F-316

## Male-Female Thread Adapters

Metric Male Thread Size



Male Thread A Side	Male Thd Lth A Side	Male Thread B Side	Male Thd Lth B Side	Female Thread B Side	Female Thd Lth B Side	Hex A/F	Hex Length	Material	Part Number
M12 x 1.75	18mm	—	—	M12 x 1.5	22.2mm	22mm	38.1mm	Alum	ZTAM12CXM12F-AL
M12 x 1.75	19mm	M10 x 1.5	19mm	—	—	19mm	9.5mm	18-8	ZTAEM12CXM10C-188
M12 x 1.75	19mm	M10 x 1.5	19mm	—	—	19mm	9.5mm	316	ZTAEM12CXM10C-316
M12 x 1.75	19mm	M10 x 1.5	19mm	—	—	19mm	9.5mm	Alum	ZTAEM12CXM10C-AL
M12 x 1.75	19mm	M10 x 1	19mm	—	—	19mm	9.5mm	18-8	ZTAEM12CXM10EF-188
M12 x 1.75	19mm	M10 x 1	19mm	—	—	19mm	9.5mm	316	ZTAEM12CXM10EF-316
M12 x 1.75	19mm	M10 x 1	19mm	—	—	19mm	9.5mm	Alum	ZTAEM12CXM10EF-AL
M12 x 1.75	19mm	M10 x 1.25	19mm	—	—	19mm	9.5mm	18-8	ZTAEM12CXM10F-188
M12 x 1.75	19mm	M10 x 1.25	19mm	—	—	19mm	9.5mm	316	ZTAEM12CXM10F-316
M12 x 1.75	19mm	M10 x 1.25	19mm	—	—	19mm	9.5mm	Alum	ZTAEM12CXM10F-AL
M12 x 1.75	19mm	M12 x 1.25	19mm	—	—	19mm	9.5mm	316	ZTAEM12CXM12EF-316
M12 x 1.75	19mm	M12 x 1.25	19mm	—	—	19mm	9.5mm	Alum	ZTAEM12CXM12EF-AL
M12 x 1.75	19mm	M12 x 1.5	19mm	—	—	19mm	9.5mm	18-8	ZTAEM12CXM12F-188
M12 x 1.75	19mm	M12 x 1.5	19mm	—	—	19mm	9.5mm	316	ZTAEM12CXM12F-316
M12 x 1.75	3/4	—	—	1/2-13	7/8	3/4	1-1/2	316	ZTAM12CX12C-316
M12 x 1.75	3/4	—	—	1/2-13	7/8	3/4	1-1/2	Alum	ZTAM12CX12C-AL
M12 x 1.75	3/4	—	—	1/2-28	7/8	3/4	1-1/2	18-8	ZTAM12CX12EF-188
M12 x 1.75	3/4	—	—	1/2-28	7/8	3/4	1-1/2	316	ZTAM12CX12EF-316
M12 x 1.75	3/4	—	—	1/2-20	7/8	3/4	1-1/2	18-8	ZTAM12CX12F-188
M12 x 1.75	3/4	—	—	1/2-20	7/8	3/4	1-1/2	316	ZTAM12CX12F-316
M12 x 1.75	3/4	—	—	3/8-16	7/8	3/4	1-1/2	316	ZTAM12CX38C-316
M12 x 1.75	3/4	—	—	3/8-16	7/8	3/4	1-1/2	Alum	ZTAM12CX38C-AL
M12 x 1.75	3/4	—	—	3/8-32	7/8	3/4	1-1/2	18-8	ZTAM12CX38EF-188
M12 x 1.75	3/4	—	—	3/8-32	7/8	3/4	1-1/2	316	ZTAM12CX38EF-316
M12 x 1.75	3/4	—	—	3/8-24	7/8	3/4	1-1/2	18-8	ZTAM12CX38F-188
M12 x 1.75	3/4	—	—	3/8-24	7/8	3/4	1-1/2	316	ZTAM12CX38F-316
M12 x 1.75	7/8	—	—	1/4-20	3/8	3/4	1-1/2	18-8	ZTAM12CX14C-188
M12 x 1.75	7/8	—	—	1/4-20	3/8	3/4	1-1/2	316	ZTAM12CX14C-316
M12 x 1.75	7/8	—	—	1/4-20	3/8	3/4	1-1/2	Alum	ZTAM12CX14C-AL
M12 x 1.75	7/8	—	—	1/4-32	3/8	3/4	1-1/2	18-8	ZTAM12CX14EF-188
M12 x 1.75	7/8	—	—	1/4-28	3/8	3/4	1-1/2	18-8	ZTAM12CX14F-188
M12 x 1.75	7/8	—	—	1/4-28	3/8	3/4	1-1/2	316	ZTAM12CX14F-316
M12 x 1.75	7/8	—	—	5/16-18	15/32	3/4	1-1/2	18-8	ZTAM12CX51C-188
M12 x 1.75	7/8	—	—	5/16-18	15/32	3/4	1-1/2	316	ZTAM12CX51C-316
M12 x 1.75	7/8	—	—	5/16-18	15/32	3/4	1-1/2	Alum	ZTAM12CX51C-AL
M12 x 1.75	7/8	—	—	5/16-32	15/32	3/4	1-1/2	18-8	ZTAM12CX51EF-188
M12 x 1.75	7/8	—	—	5/16-24	15/32	3/4	1-1/2	18-8	ZTAM12CX51F-188
M12 x 1.75	7/8	—	—	5/16-24	15/32	3/4	1-1/2	316	ZTAM12CX51F-316



### Longevity

Since 1995, Accurate Manufactured Products Group (AMPG) has been a stocking manufacturer of precision components, hard-to-find fasteners and industrial products.



### Strategic Location

AMPG's 121,600 square foot facility is located in the Heart of the Midwest which gives us access to high-quality machinists/employees as well as being strategically located for fast delivery.



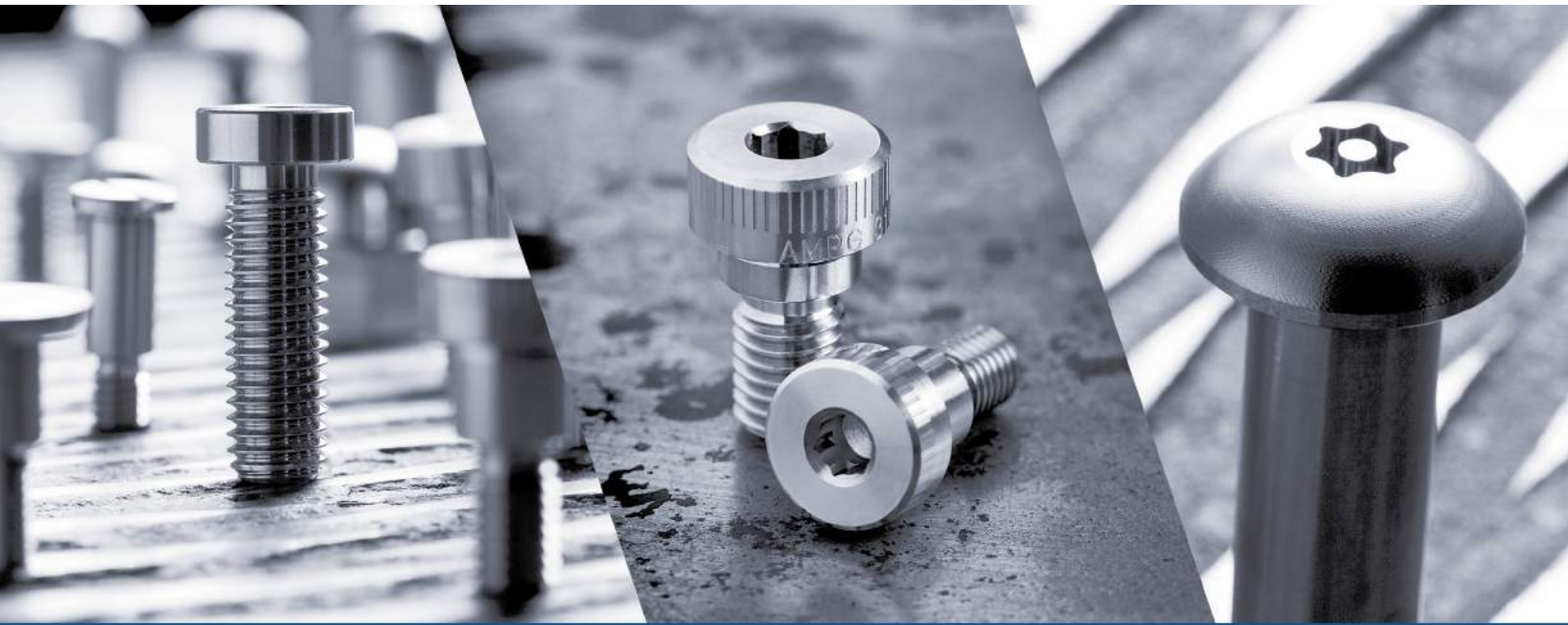
### Advanced Equipment

Our manufacturing facility operates 24/7, producing precision parts on state-of-the-art CNC Swiss Lathes. Parts are made from high quality materials with a superior machined finish.



### Superior Quality

Our advanced electronic Quality Control systems are employed on the manufacturing floor to catch trends before bad parts are produced.





ACCURATE  
MANUFACTURED  
PRODUCTS  
GROUP



Visit us online at [ampg.com](https://www.ampg.com) or email [sales@ampg.com](mailto:sales@ampg.com)

8090 Woodland Drive  
Indianapolis, IN 46278

p: 317.472.9000  
f: 317.472.9010

### Follow Us On Social Media



@AMPG.USA



@AMPG\_USA



@ampg\_design



@AMPG